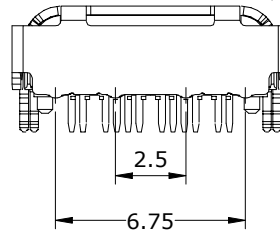
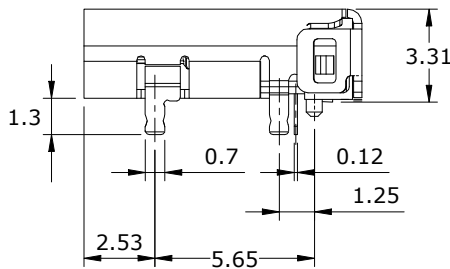
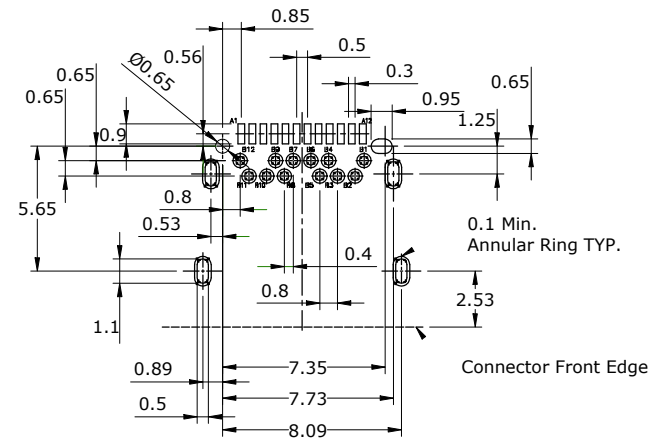
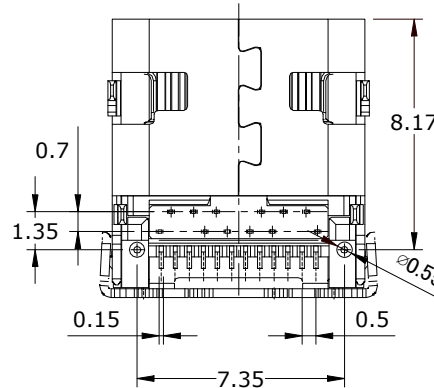
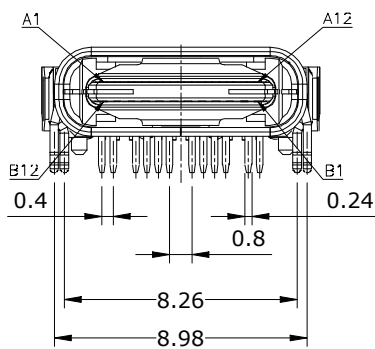
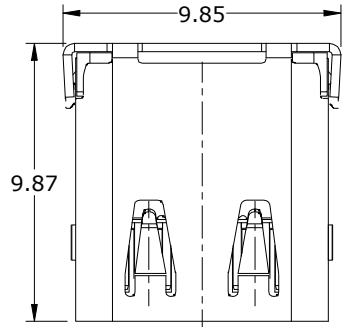


SCNUS - UC - 124GPF - SORST

Suntsu Connector USB-C Number of Ports Number of Contacts Contact Plating Gold Flash Termination Style Solder Mounting Style Surface Mount and Through Hole Mounting Angle Right



Recommended PCB Layout (PCB TOLERANCE ±0.1)

Specification
 Current Rating: 3.0A
 Contact Resistance: 40mΩ Max.
 Insulation Resistance: 100MΩ Min.
 Dielectric Voltage: 100V AC for one minute
 Operation Temperature: -25°C to 85°C
 Durability: 10000 Cycles Min.
 Insertion Force: 5N ~ 20N
 Withdrawl Force: 8N ~ 20N



USB TYPE C 3.1 FEMALE RIGHT ANGLE SURFACE MOUNT AND THROUGH HOLE CONNECTOR

Document History				Part No.	REV.	Drawn	Page
Edits Made	Date	Edited By	Approved By	SCNUS-UC-124GPF-SORST	A	B. Gibbons	01/26/2021
Initial Release	01/26/2021	B. Gibbons	KH Mun	Drawing No.	SCALE	Checked	
					None		1 / 1
				Tolerance	UNIT	Approved	
				.X ±0.30	mm		
				.XX ±0.20			