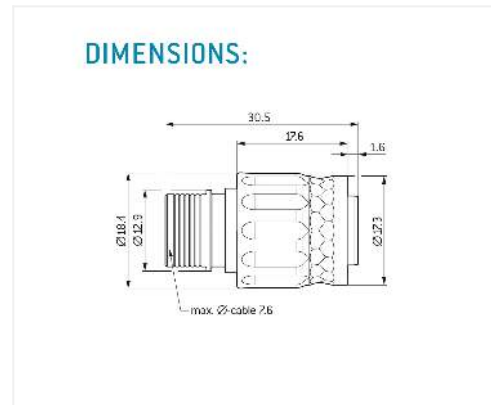
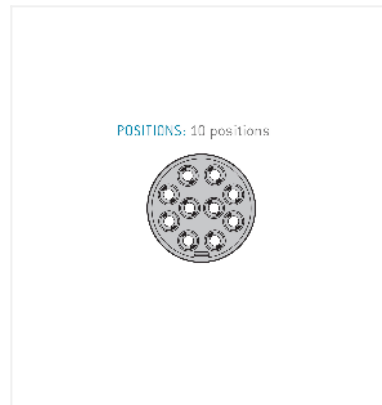
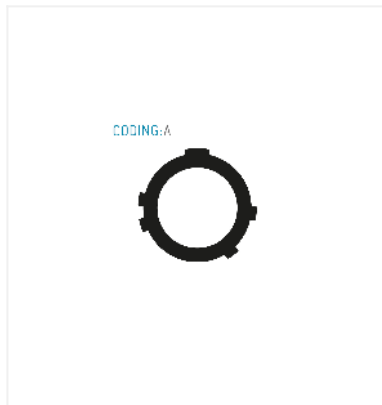


series_t, Screw-Lock plug, mil_standard_38999

General information

| | |
|-------------------|---------------------|
| Part number | C1TAATO-E010PN-0000 |
| Termination | crimp |
| Size | 9 (STD 38999) |
| Locking principle | screw |
| Coding | a_key_amc |
| Cable Diameter | cable_amc_t_e |
| Cable outlet | overmolding |



Contact insert description

| | |
|--------------------|-----------|
| Number of contacts | 10 |
| Contact type | pins |
| Contact diameter | 076mm |
| Insulator material | peek |
| Wire cross section | 22-26 awg |
| Termination | crimp |

Technical information

| | | |
|--------------------------------|-----------|---------------|
| Nominal current single contact | 05_a | iec_60512_5_2 |
| Test voltage | 075_kv_ac | eia_364_20f |

safety_text

Mechanical and environmental data

| | |
|-----------------------|----------|
| Degree of protection* | ip6k9k |
| Operating temperature | 65_175_c |
| Mating cycles | 500 |

mated

Material and surface treatments

| | |
|---------|----------------|
| Housing | alu_tin_nickel |
| Contact | cu_alloy_gold |

data_text

safety_text 2
 data_text
 ul_text
 illustrative_text