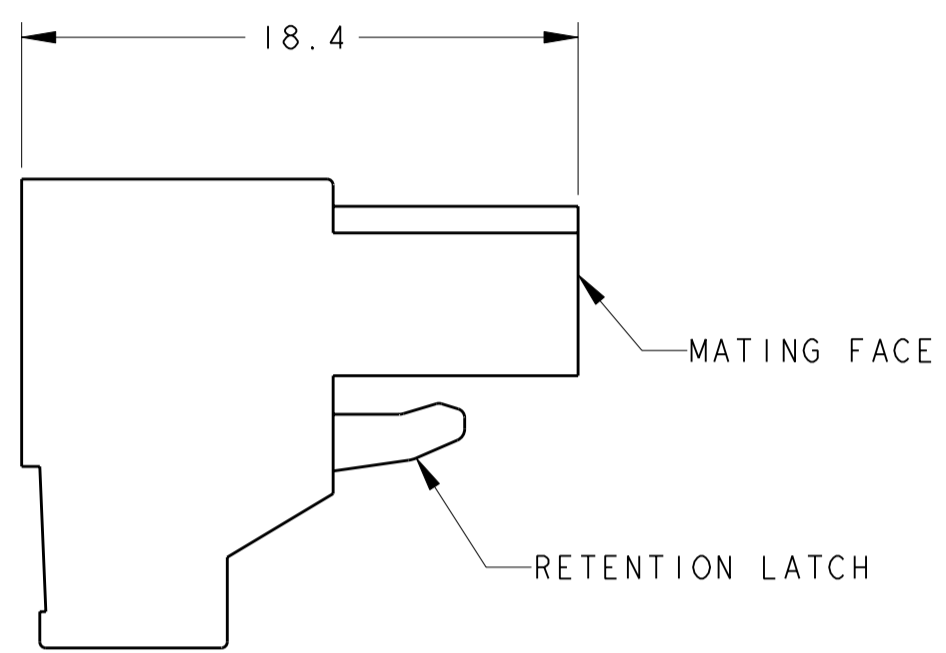
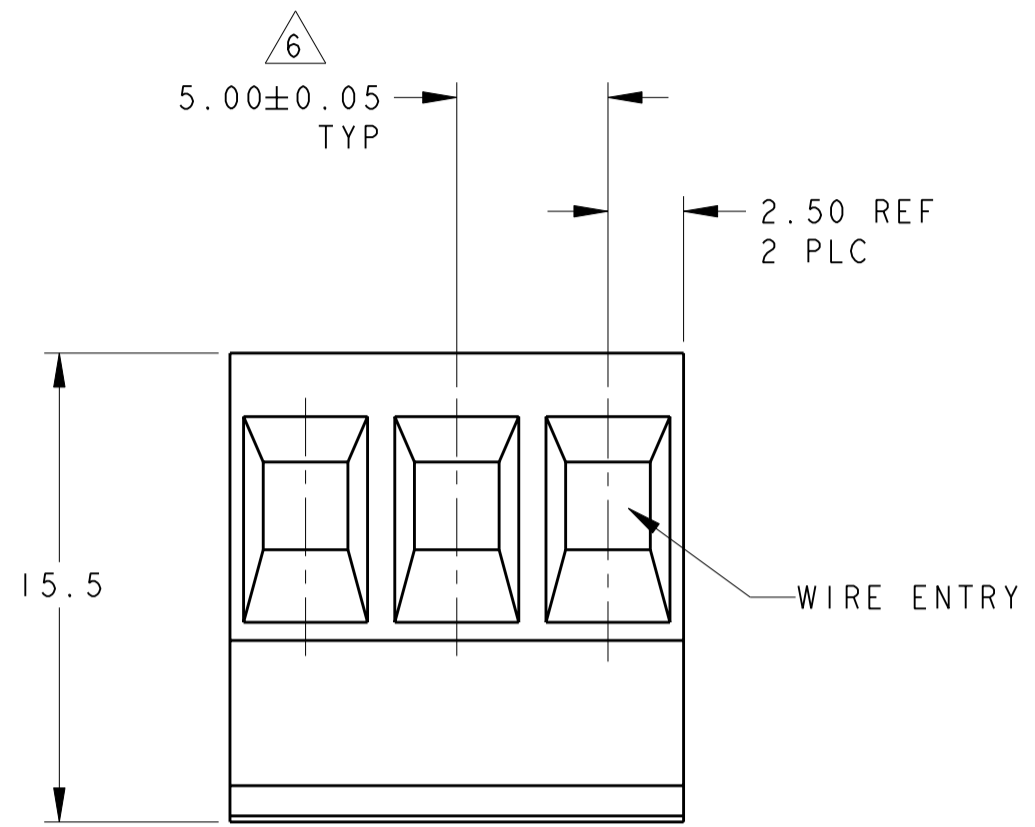
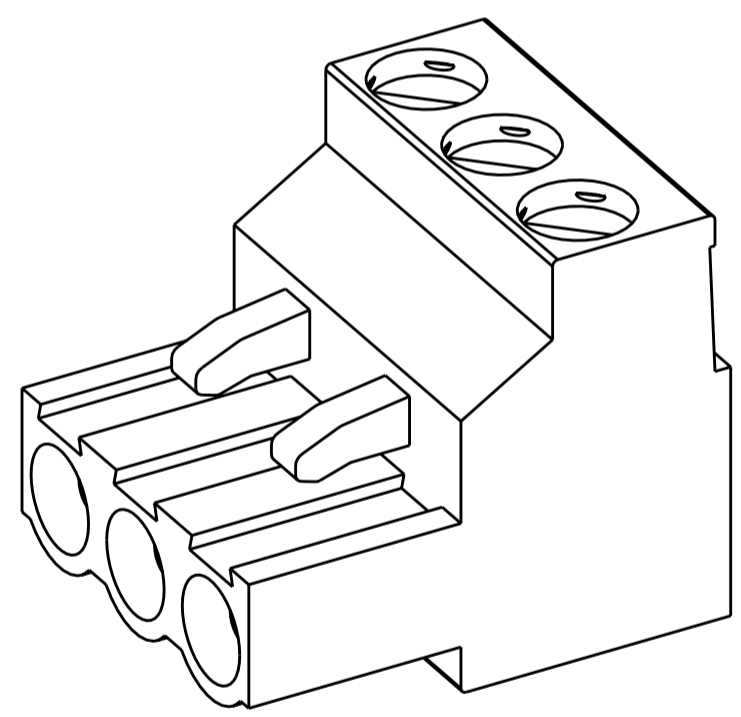
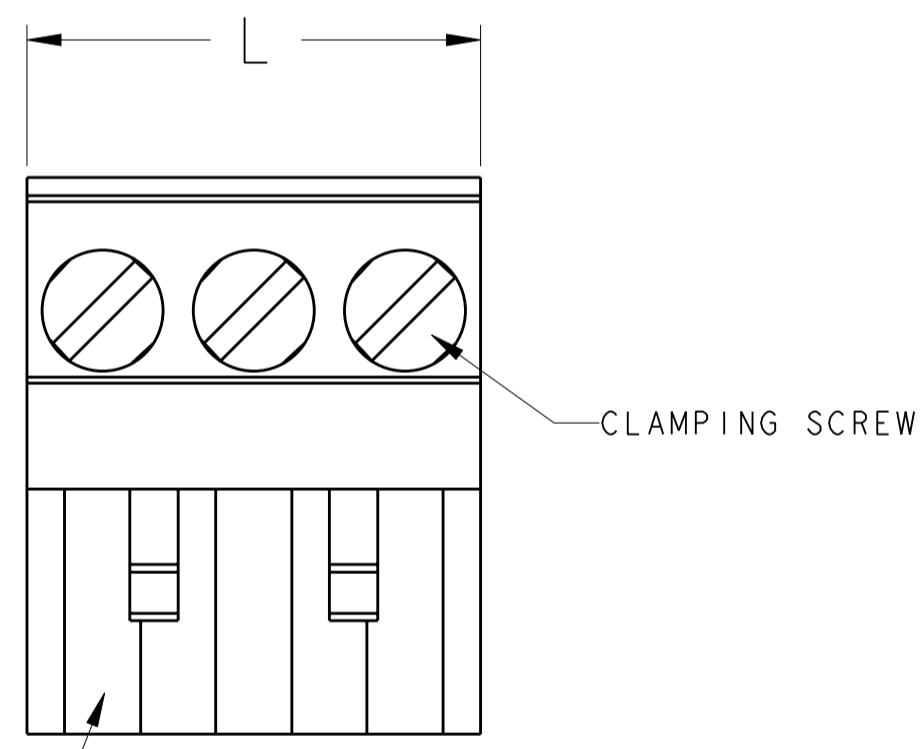


THIS DRAWING IS UNPUBLISHED. RELEASED FOR PUBLICATION 20  
 © COPYRIGHT 20 BY TYCO ELECTRONICS CORPORATION. ALL RIGHTS RESERVED.

LOC		DIST		REVISIONS			
P	LTR	DESCRIPTION	DATE	DWN	APVD		
	1	-	14JAN2008	SS	CR		
	A	REVISED PER ECO-08-001481	18JAN2008	SS	CR		



- 1 MATERIALS AND FINISH)  
 HOUSING: PA 6-6, UL 94-V0, COLOR: RED.  
 CLAMP: BRASS, NICKEL PLATED.  
 DOUBLE SIDE CONTACT SPRING: PHOSPHOR BRONZE, TIN PLATED.  
 CLAMPING SCREW: M3, BRASS, NICKEL PLATED.
- 2. END-TO-END STACKABLE WITHOUT LOSS OF CENTERLINE SPACING.
- 3. WIRE SIZE RANGE: 12-30 AWG.
- 4. RECOGNIZED UNDER THE COMPONENT PROGRAM OF UNDERWRITERS LABORATORIES INC. FILE N° E60677.
- 5. IMQ CERTIFICATE WITH SURVEILLANCE IN CONFORMITY WITH IEC 998-1/998-2-1.
- 6 NOT CUMULATIVE TOLERANCE
- 7. BUCHANAN LOGO TO APPEAR ON HOUSING, LOCATION OPTIONAL WHERE SPACE PERMITS.



POLARIZATION KEY SLOT

30.00	6	1986337-6
L	NO OF POSN	PART NUMBER

THIS DRAWING IS A CONTROLLED DOCUMENT FOR TYCO ELECTRONICS CORPORATION IT IS SUBJECT TO CHANGE AND THE CONTROLLING ENGINEERING ORGANIZATION SHOULD BE CONTACTED FOR THE LATEST REVISION.		DWN S. SCHLEGEL 14JAN2008	Tyco Electronics Harrisburg, PA 17105-3608	
DIMENSIONS: mm		CHK C. RICHARD 14JAN2008	NAME TERMINAL BLOCK, PLUG, STACKING 5.00mm PITCH	
TOLERANCES UNLESS OTHERWISE SPECIFIED:		APVD C. RICHARD 14JAN2008	SIZE A2	
0 PLC ±-	1 PLC ±0.3	PRODUCT SPEC -	CAGE CODE 00779	DRAWING NO C-1986337
2 PLC ±0.25	3 PLC ±-	APPLICATION SPEC -	RESTRICTED TO -	
4 PLC ±-	ANGLES ±2	WEIGHT -	CUSTOMER DRAWING	
MATERIAL	FINISH	SCALE 4:1 SHEET 1 OF 1 REV A		