



Product Compliance


[For compliance documentation, visit the product page on TE.com>](#)

EU RoHS Directive 2011/65/EU	Compliant
EU ELV Directive 2000/53/EC	Compliant
China RoHS 2 Directive MIIT Order No 32, 2016	No Restricted Materials Above Threshold
EU REACH Regulation (EC) No. 1907/2006	<p>Current ECHA Candidate List: JUNE 2023 (235)</p> <p>Candidate List Declared Against: JAN 2023 (233)</p> <p>SVHC > Threshold:</p> <p>Melamine (3% in Component Part)</p> <p>Article Safe Usage Statements: Wash thoroughly after handling. Do not handle until all safety precautions have been read and understood. Recycle if possible and dispose of the article by following all applicable governmental regulations relevant to your geographic location.</p>
Halogen Content	Low Halogen - Br, Cl, F, I < 900 ppm per homogenous material. Also BFR/CFR/PVC Free
Solder Process Capability	Not applicable for solder process capability

Product Compliance Disclaimer

This information is provided based on reasonable inquiry of our suppliers and represents our current actual knowledge based on the information they provided. This information is subject to change. The part numbers that TE has identified as EU RoHS compliant have a maximum concentration of 0.1% by weight in homogenous materials for lead, hexavalent chromium, mercury, PBB, PBDE, DBP, BBP, DEHP, DIBP, and 0.01% for cadmium, or qualify for an exemption to these limits as defined in the Annexes of Directive 2011/65/EU (RoHS2). Finished electrical and electronic equipment products will be CE marked as required by Directive 2011/65/EU. Components may not be CE marked. Additionally, the part numbers that TE has identified as EU ELV compliant have a maximum concentration of 0.1% by weight in homogenous materials for lead, hexavalent chromium, and mercury, and 0.01% for cadmium, or qualify for an exemption to these limits as defined in the Annexes of Directive 2000/53/EC (ELV). Regarding the REACH Regulation, the information TE provides on SVHC in articles for this part number is based on the latest European Chemicals Agency (ECHA) 'Guidance on requirements for substances in articles' posted at this URL: <https://echa.europa.eu/guidance-documents/guidance-on-reach>

Compatible Parts



TE Part # 1-626040-0
RELY BASE MOLDING 5W
POLYPROPYLENE



TE Part # 176986-1
FF 250 PLUG HSG 1P NYLON NAT



TE Part # 178024-7
FF 250 CAP HSG DBL 6P PLATE


Customers Also Bought



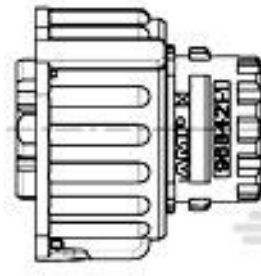
TE Part #154718-3
PL 250 REC 0.7-2.0 MM2 0.406 TPBR



TE Part #170342-2
250 FASTON,REC.,20-14 AWG,TPBR



TE Part #2-36451-1
TERMINAL,SOLIS R 12-10 10



TE Part #967650-2
1,5MM BU-STE KPL 6P



TE Part #2-1747066-6
GRACE INERTIA CONN 2.5 PLUG
HSG 6P BLUE



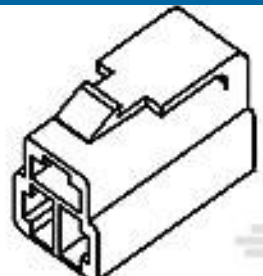
TE Part #60900-4
WRAP TYPE TAB REC 24-22 AWG
TPBR



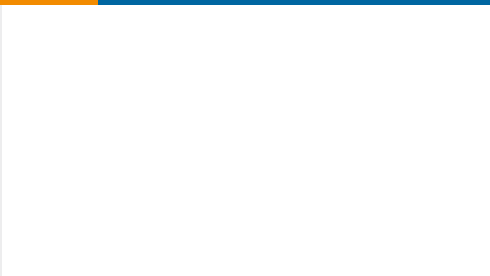
TE Part #1376477-6
2.5MM PITCH SIGNAL MATE CONN



TE Part #4-1971030-5
5POS PLUG HOUSING FOR GIC 2.0
EV SERIES



TE Part #172132-1
FF 250 PLUG HSG 3P NYLON NAT



TE Part #HIRD-MX-0160A-01
IRIDIUM MAGNET MOUNT 3M

Documents

Product Drawings

250 FASTON HSG. REC 2P NATURAL

English

CAD Files

Customer View Model

ENG_CVM_CVM_1-172130-1_D.3d_igs.zip

English



Customer View Model

[ENG_CVM_CVM_1-172130-1_D.2d_dxf.zip](#)

English

[3D PDF](#)

3D

Customer View Model

[ENG_CVM_CVM_1-172130-1_D.3d_stp.zip](#)

English

By downloading the CAD file I accept and agree to the [Terms and Conditions](#) of use.

Datasheets & Catalog Pages

[White Paper: Nylon Discoloration](#)

English

Product Specifications

[Application Specification](#)

English

Product Environmental Compliance

[Product Compliance](#)

English

[Product Compliance](#)

English

Agency Approvals

[CSA Certificate](#)

English

[CSA Certificate](#)

English