

2

1

THIS COPY IS PROVIDED ON A RESTRICTED BASIS AND IS NOT TO BE USED IN ANY WAY DETRIMENTAL TO THE INTERESTS OF PANDUIT CORP.

PANDUIT PART NUMBER	STUD SIZE	DIMENSIONS - in.					TOOLS
		L ± .03	W ± .01	C ± .02	M ± .03	H ± .01	
EV14-6LFB	#6	.90 (22.86)	.25 (6.35)	.22 (5.59)	.68 (17.27)	.14 (3.56)	*CT-100A CT-600-A (CT-500CH) CT-600-A (CT-550CH) CT-1550 CT-1551 CT-2500 (CT-2550CH)
EV14-8LFB	#8	.97 (24.64)	.29 (7.37)	.25 (6.35)	.73 (18.54)	.16 (4.06)	
EV14-10LFB	#10	.97 (24.64)	.33 (8.38)	.25 (6.35)	.73 (18.54)	.19 (4.83)	

\*CT-100A, 167°F (75°C) MAX TEMP. RATING

NOTES:

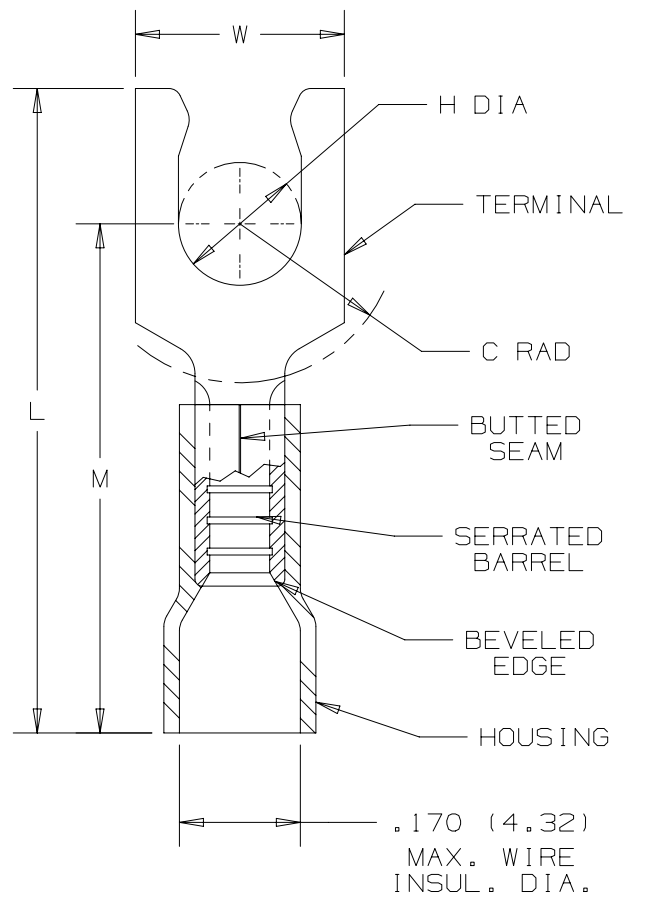
- 1. UL LISTED AND CSA CERTIFIED FOR:
  - A. #16-14 AWG SOLID OR STRANDED COPPER WIRE
  - B. 221°F (105°C) MAX TEMP. RATING
  - C. 600V MAX. BLDG WIRE (1000 V MAX. IN SIGNS, FIXTURES & LUMINARIES)

- 2. MATERIAL:
  - A. STAMPING - .032" THK, COPPER TIN PLATED
  - B. HOUSING - VINYL, BLUE
  - C. SLEEVE - BRASS, TIN PLATED

3. WIRE STRIP LENGTH: 5/16" <sup>+1/32</sup><sub>-0</sub> [ 7,9mm <sup>+0,8</sup><sub>-0</sub> ]

4. SEE WWW.PANDUIT.COM FOR PACKAGE QUANTITIES

5. DIMENSIONS IN BRACKETS ARE IN MILLIMETERS



.170 (4.32)  
MAX. WIRE  
INSUL. DIA.



A

A

TITLE <b>STRONGHOLD LOCKING FORK TERMINAL VINYL INSULATED, BUTTED SEAM #16-14 AWG</b> CUSTOMER DRAWING					
ITEM REVISION NAME	00123SHU/00				
DATASET FILE NAME	00123SHU/00				
UNLESS OTHERWISE SPECIFIED, DIMENSIONAL TOLERANCES ARE: IN ( mm )	<b>PANDUIT</b> MATERIAL: <b>SEE NOTES</b>				
.X ±                      .XXX ± .XX ±                     ANGLS ±					
THIRD ANGLE PROJECTION	DRAWING NUMBER: SH41296				
DRAWN BY: JHNU	DATE: 2/18	CHK: TMR	SCALE: NONE	SHT 1 OF 1	

D10100DA/16

00	2/18	JHNU	TMR	RGB	RELEASED	00123SH
REV	DATE	BY	CHK	APR	DESCRIPTION	ECN

2

1