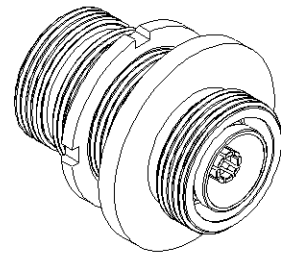
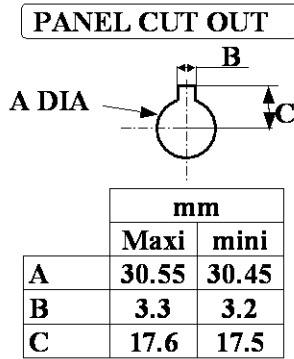
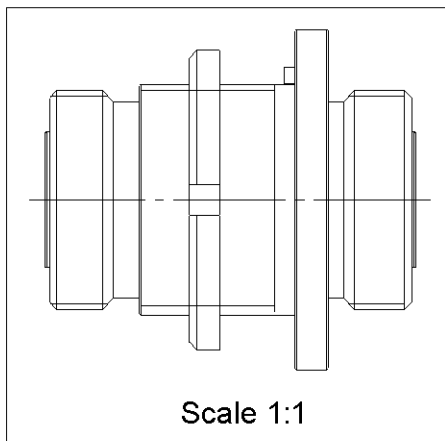
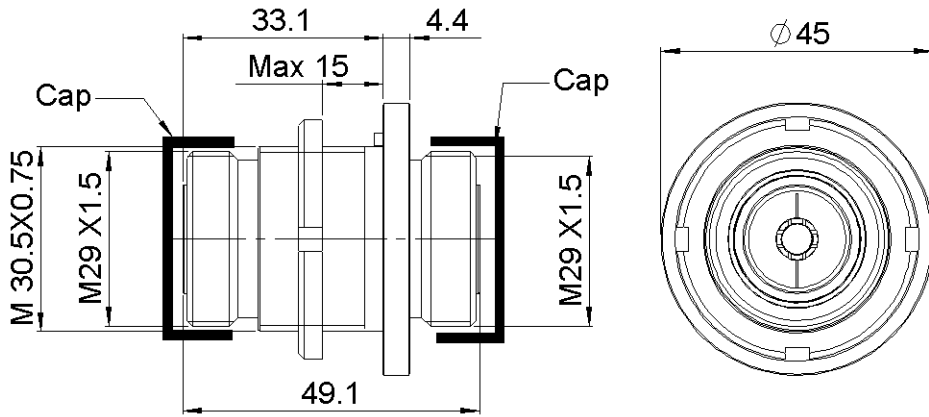
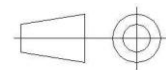


PAGE 1/2	ISSUE 29-05-15A	SERIES 7-16	PART NUMBER R185730020
----------	-----------------	-------------	------------------------



All dimensions are in mm.



COMPONENTS	MATERIALS	PLATING (µm)
Body	<b>BRASS</b>	<b>BBR OVER SILVER</b>
Center contact	<b>BERYLLIUM COPPER</b>	<b>SILVER PASSIVATED OVER COPPER</b>
Outer contact	<b>BRASS</b>	<b>SILVER PASSIVATED OVER COPPER</b>
Insulator	<b>PTFE</b>	
Gasket	<b>EPDM</b>	
Others parts	<b>BRASS</b>	<b>BBR</b>
-	-	-
-	-	-

PAGE 2/2	ISSUE <b>29-05-15A</b>	SERIES <b>7-16</b>	<b>PART NUMBER R185730020</b>
----------	------------------------	--------------------	-------------------------------

PACKAGING

Standard	Unit	Other
<b>20</b>	<b>Contact us</b>	<b>Contact us</b>

ELECTRICAL CHARACTERISTICS

Impedance		<b>50</b>	Ω
Frequency		<b>0-7.5</b>	GHz
VSWR	<b>1.15</b>	<b>+</b>	<b>0.0000</b> x F(GHz) Maxi
Insertion loss		<b>NA</b>	√F(GHz) dB Maxi
RF leakage	- (	<b>NA</b>	- F(GHz)) dB Maxi
Voltage rating		<b>1400</b>	Veff Maxi
Dielectric withstanding voltage		<b>4000</b>	Veff mini
Insulation resistance		<b>10000</b>	MΩ mini

MECHANICAL CHARACTERISTICS

Center contact retention			
Axial force – Mating End		<b>200</b>	N mini
Axial force – Opposite end		<b>200</b>	N mini
Torque		<b>NA</b>	N.cm mini
Recommended torque			
Mating		<b>3000</b>	N.cm
Panel nut		<b>NA</b>	N.cm
Mating life		<b>500</b>	Cycles mini
Weight		<b>211.9220</b>	g

ENVIRONMENTAL

Operating temperature	<b>-55/+155</b>	°C
Hermetic seal	<b>NA</b>	Atm.cm3/s
Panel leakage	<b>NA</b>	

SPECIFICATION

OTHER CHARACTERISTICS

Assembly instruction:

Others:

**Coaxial transmission line only**  
**>1.1 at 2GHz >1.15 at 4GHz**  
**>1.25 at 6GHz >1.3 at 7.5GHz**