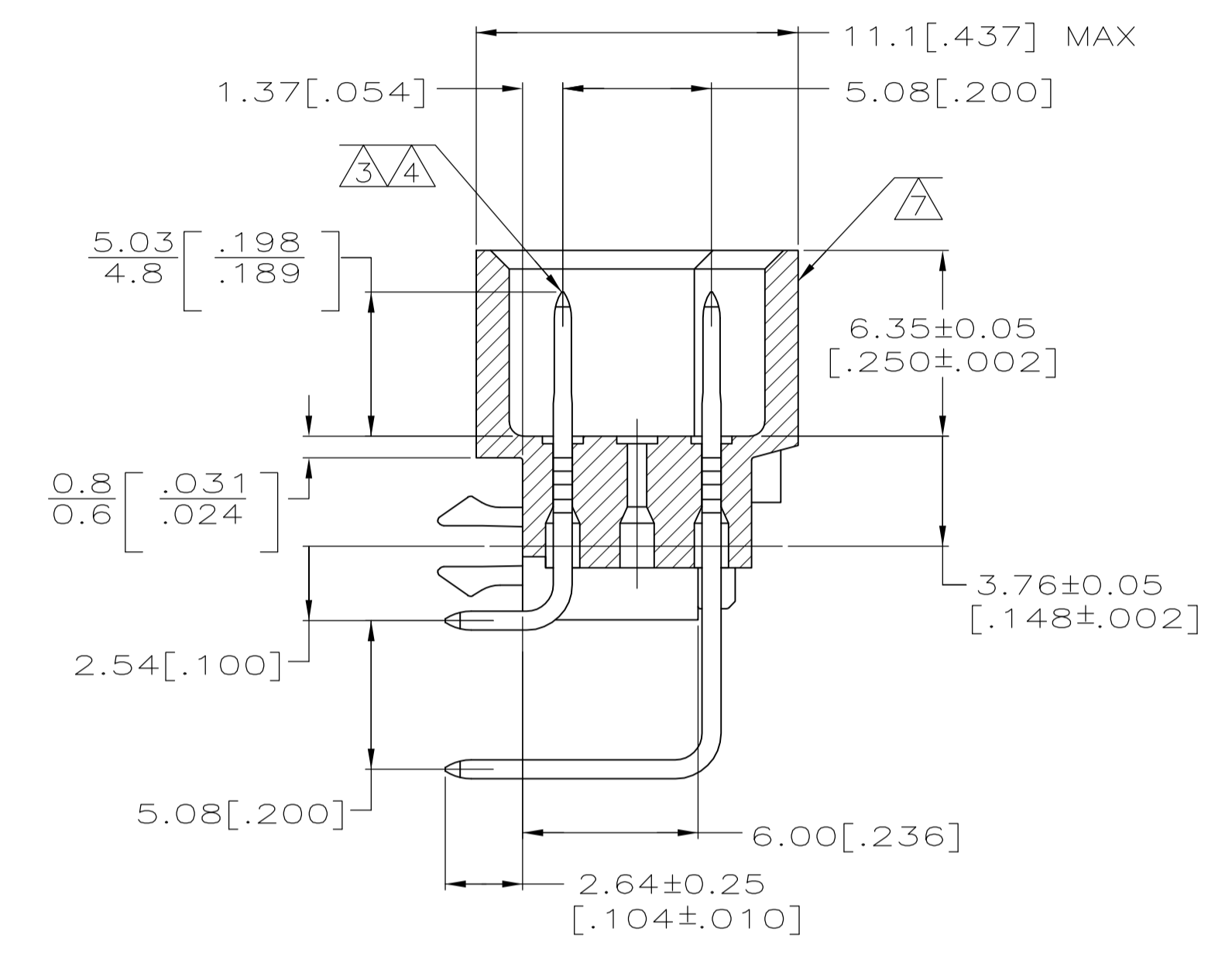
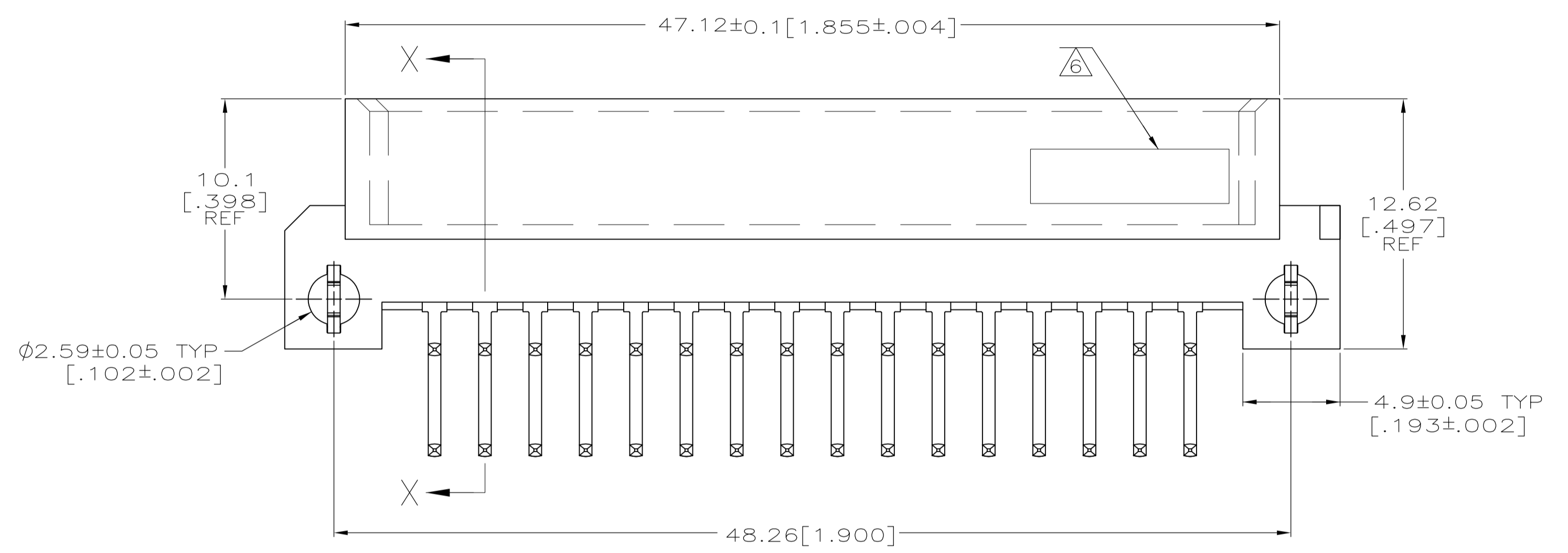
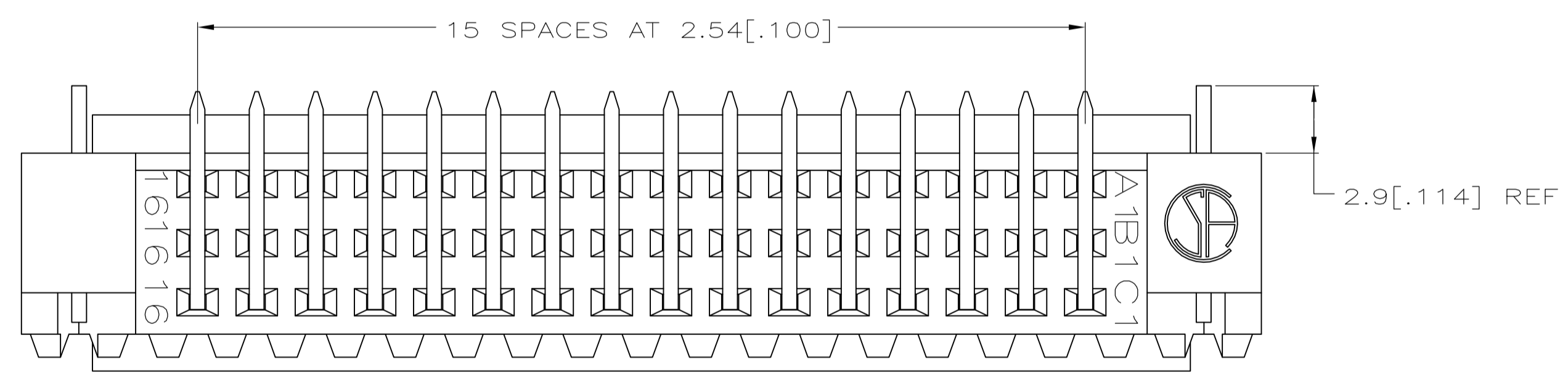


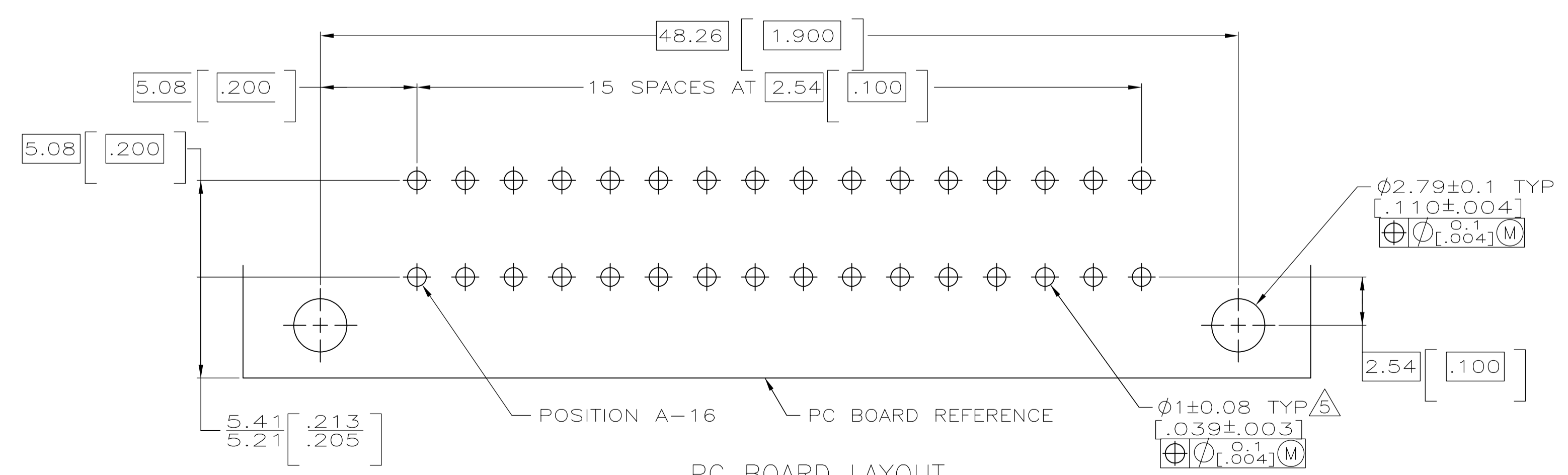
- 1 HOUSING MATERIAL: GLASS-FILLED POLYESTER. COLOR: GRAY.
- 2 POST MATERIAL: BRASS.
- 3 POST FINISH: DIN 41612 CLASS 3 IN CONTACT AREA. TIN-LEAD PLATE ON POSTS.
- 4 POST FINISH: DIN 41612 CLASS 2 IN CONTACT AREA. TIN-LEAD PLATE ON POSTS.
- 5 RECOMMENDED HOLE SIZE FOR MANUAL APPLICATION OF CONNECTOR ONTO PC BOARD.
- 6 PART NUMBER, DATE CODE MARKED THIS APPROXIMATE AREA.
- 7 MARKING ON THIS SIDE.



SECTION X-X



REFERENCE FAMILY DRAWING 650473 FOR ALL TYPE C HEADER OFFERINGS



PC BOARD LAYOUT  
RECOMMENDED PC BOARD THICKNESS 1.57 [.062]

OBSOLETE	3	1-16	X	-	X	32	650978-9
	4	1-16	X	-	X	32	650978-5
NOTES	POSITIONS LOADED	C	B	A	NO. OF LOADED POSITION	ASSY PART NUMBER	

THIS DRAWING IS A CONTROLLED DOCUMENT.

DIMENSIONS: INCHES	TOLERANCES UNLESS OTHERWISE SPECIFIED:	DIN L. BRINER 5/21/91	STE TE Connectivity
0 PLC ± -	1 PLC ± -	CHK D.C. RUBENDALL 5/22/91	NAME D.C. RUBENDALL
2 PLC ± 0.13[.005]	3 PLC ± -	APVD D.C. RUBENDALL 5/22/91	PRODUCT SPEC
4 PLC ± -	ANGLES ± -	APPLICATION SPEC	SIZE CAGE CODE DRAWING NO. RESTRICTED TO
MATERIAL HOUSING: 1	FINISH POST: 3/4	WEIGHT	A1 00779 C=650978
		CUSTOMER DRAWING	SCALE 5:1 SHEET 1 OF 1 REV H