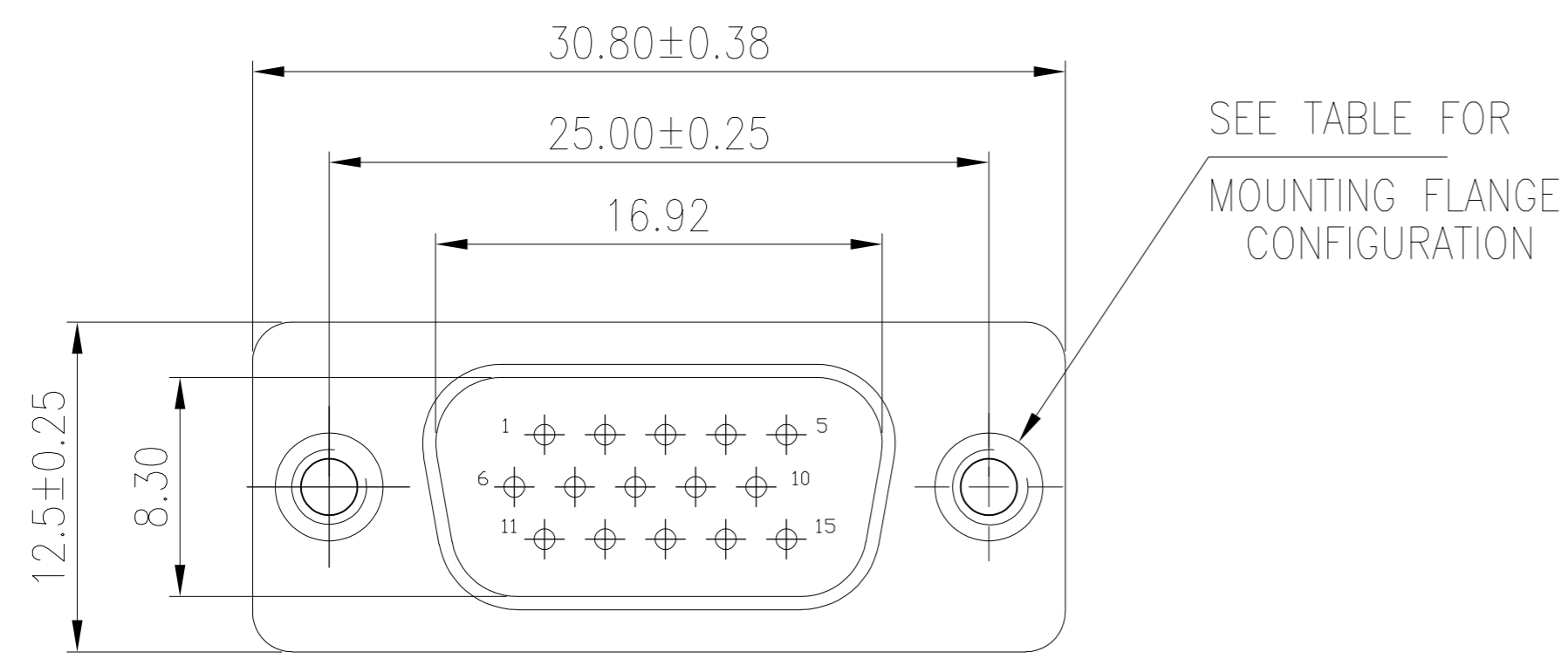
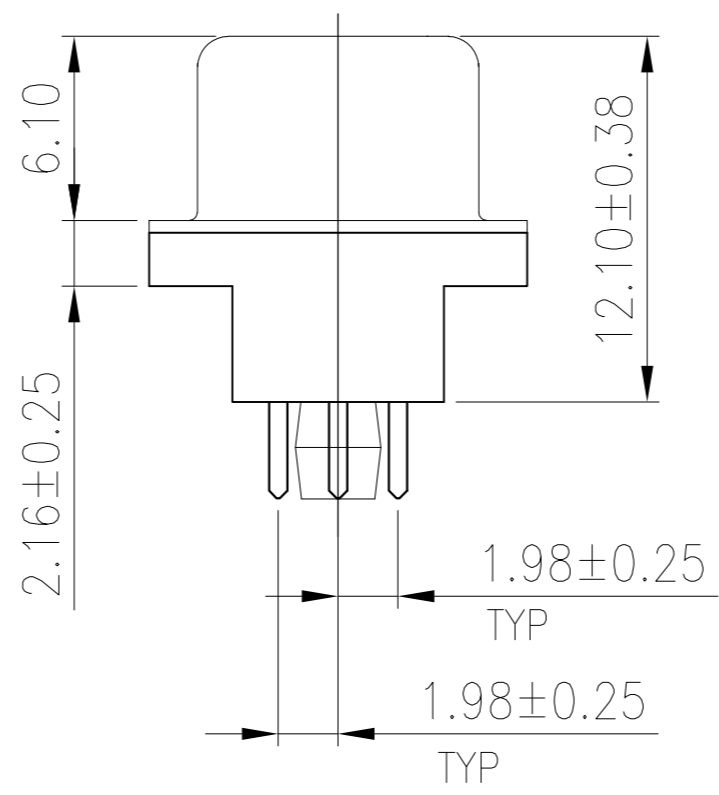
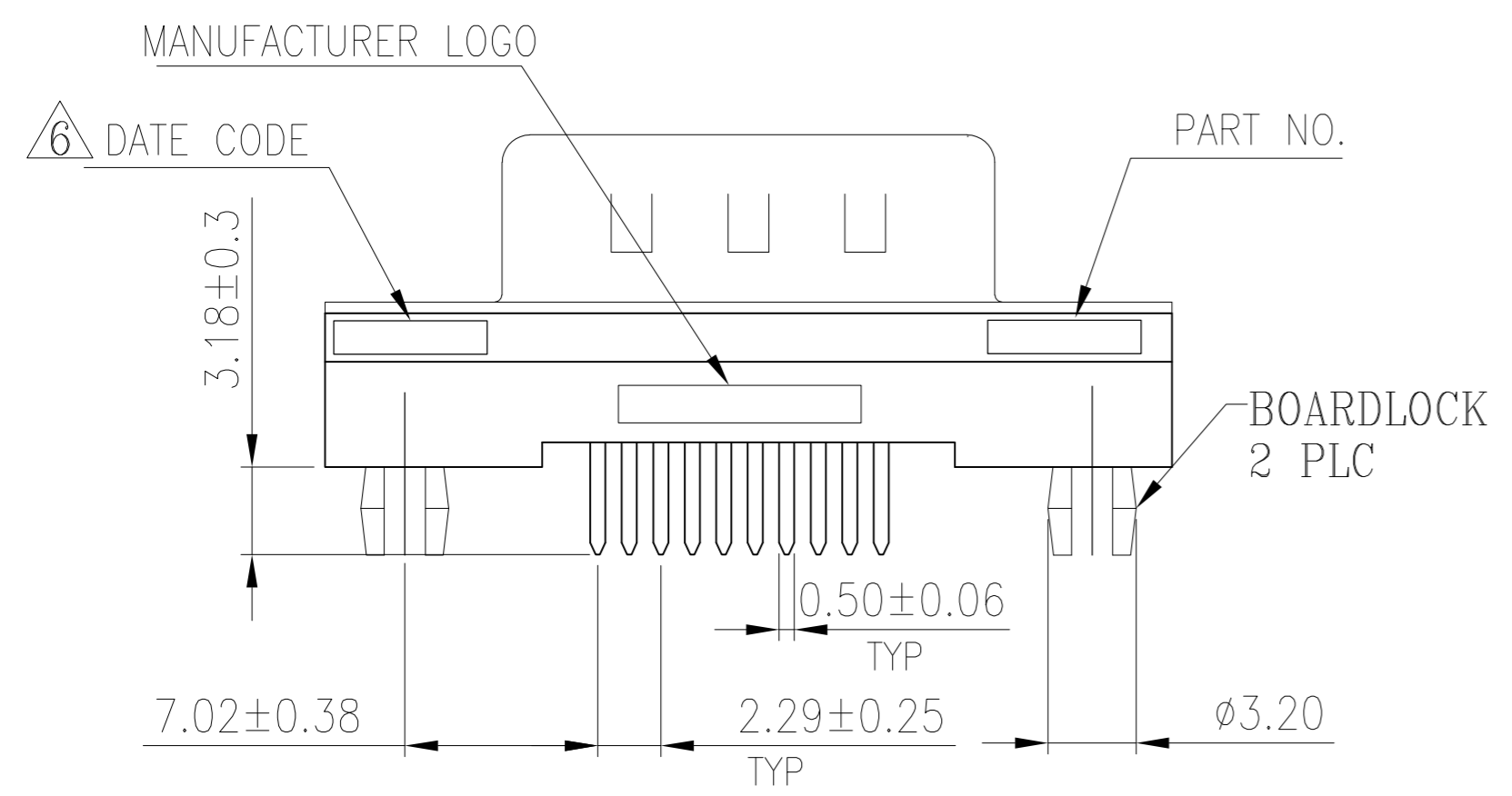


THIS DRAWING IS UNPUBLISHED. RELEASED FOR PUBLICATION
 © COPYRIGHT - By - ALL RIGHTS RESERVED.

REVISIONS				
P	LTR	DESCRIPTION	DATE	APVD
D		REVISED PER ECO-17-013750	16FEB2018	AP DG

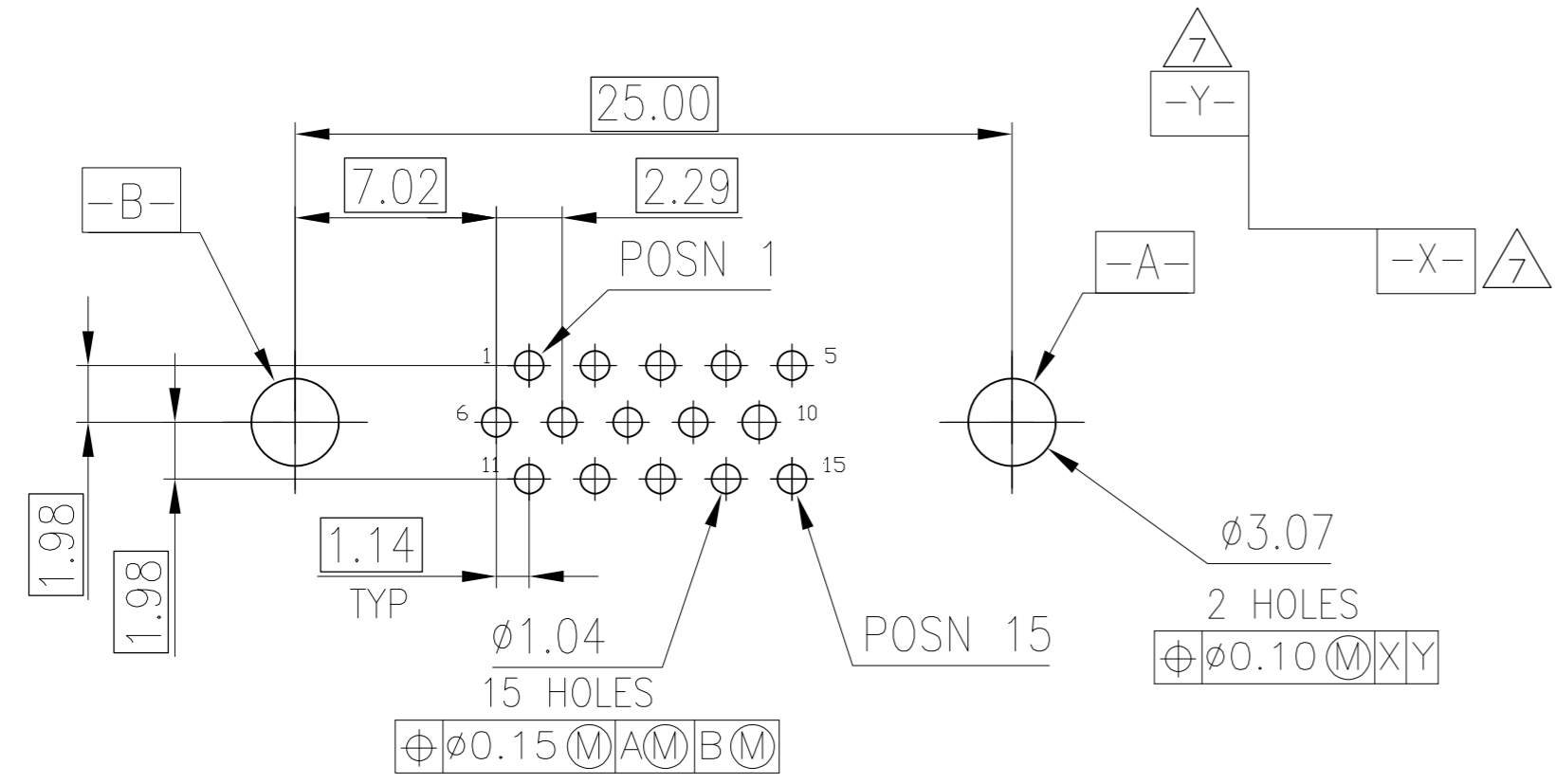
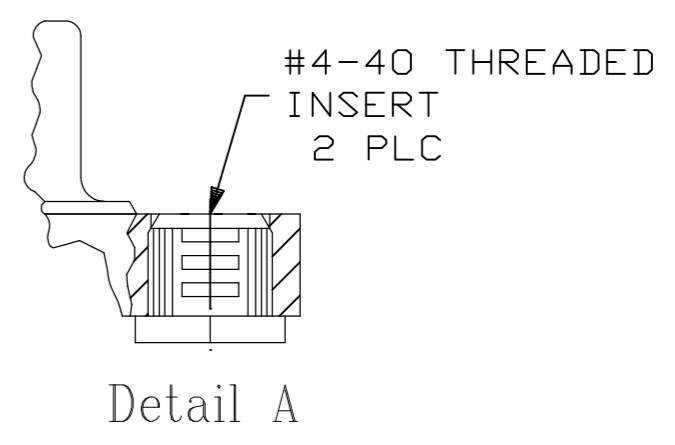


- HOUSING MATERIAL: PBT, GLASS FILLED, BLACK, UL 94V-0 RATED.
- CONTACT MATERIAL: BRASS.
- CONTACT FINISH: GOLD PLATE IN MATING AREA (SEE TABLE), 120μ" MIN TIN PLATE ON SOLDER TAIL, BOTH OVER 50μ" MIN NICKEL UNDERPLATE.
- SHELL: STEEL, NICKEL PLATE.
- THREADED INSERTS AND BOARDLOCKS: BRASS, 100u' MIN TIN PLATE OVER 50u" MIN NICKEL UNDERPLATE.



6 FOUR DIGIT DATE CODE IN THIS FORMAT.

Year 01 45 Manufacturing Week



OBSOLETE	Tray	Detail A	Gold flash	5750489-4
OBSOLETE	Tray	Detail A	15μ" MIN	5750489-3
SUPERSEDED BY 2318229-1		Tray	30μ" MIN	5750489-1
Packaging	Mounting Flange Configuration	CONTACT MATING AREA FINISH	PART NUMBER	

THIS DRAWING IS A CONTROLLED DOCUMENT.		DWN B. MCMASTER 22SEP05	TE Connectivity	
DIMENSIONS: mm		CHK S. BOLASH 22SEP05	NAME AMPLIMITE HD-22 15 POS PLUG, VERTICAL	
TOLERANCES UNLESS OTHERWISE SPECIFIED:		APVD M. WALMSLEY 22SEP05	SIZE A2 CAGE CODE 00779 C=5750489	
0 PLC ± -		PRODUCT SPEC	RESTRICTED TO	
1 PLC ± 0.30		APPLICATION SPEC	SCALE 1:1 SHEET 1 OF 1 REV D	
2 PLC ± 0.20		WEIGHT 0.000000		
3 PLC ± 0.10		CUSTOMER DRAWING		
4 PLC ± -				
ANGLES ± 2'				
FINISH				

RECOMMENDED PCB LAYOUT