



K-9075 Series

Flexible Mid-Size Patch Cords

Product Description

K-9075 Flexible Patch Cords made with Belden 1505F precision 75 Ohm video cable feature a 22 AWG stranded conductor for increased flexibility over solid conductor patch cords.



- Flexible Patch Cords hang down straight when patched, unlike solid conductor cords which can extend straight out and be accidentally bumped into and unplugged.

- Patch Cords feature molded black strain relief boots with a choice of 8 different cable jacket colors for signal identification and customization.

- Patch Cords are available in 10 standard lengths. Custom cord lengths are also available.
- Mid-Size Patch Plugs are made with precision machined components designed to provide long-term durability, reliability, and performance.

Specifications

Material

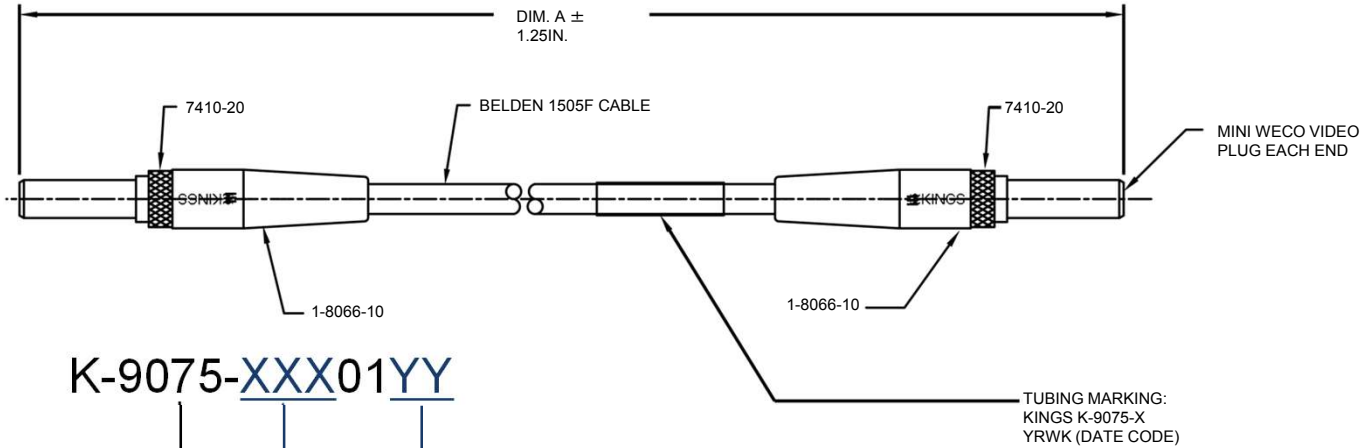
K-Group Sleeve: Commercial Bronze
 Insulators: Teflon®
 Cable Boot: Buna Rubber

Electrical

Nominal Impedance: 75 Ohms
 Frequency Range: DC to 4.5 GHz
 Return Loss: < -20 dB up to 3.0 GHz
 < -15 dB up to 4.5 GHz

Finishes

Body: Nickel Plate
 Contacts: Gold Plate



K-9075-XXX01YY

Series Part Number
 Length "A" in inches
 Cable Jacket Color

PART NUMBER	DIMA ± 1.25
K-9075-012-YY	12.00
K-9075-024-YY	24.00
K-9075-036-YY	36.00
K-9075-048-YY	48.00
K-9075-060-YY	60.00
K-9075-072-YY	72.00
K-9075-120-YY	120.00
K-9075-300-YY	300.00

YY	CABLE COLOR
-01	N/A
-02	Red
-03	Orange
-04	Yellow
-05	Green
-06	Blue
-07	Violet
-08	N/A
-09	White
-10	Black