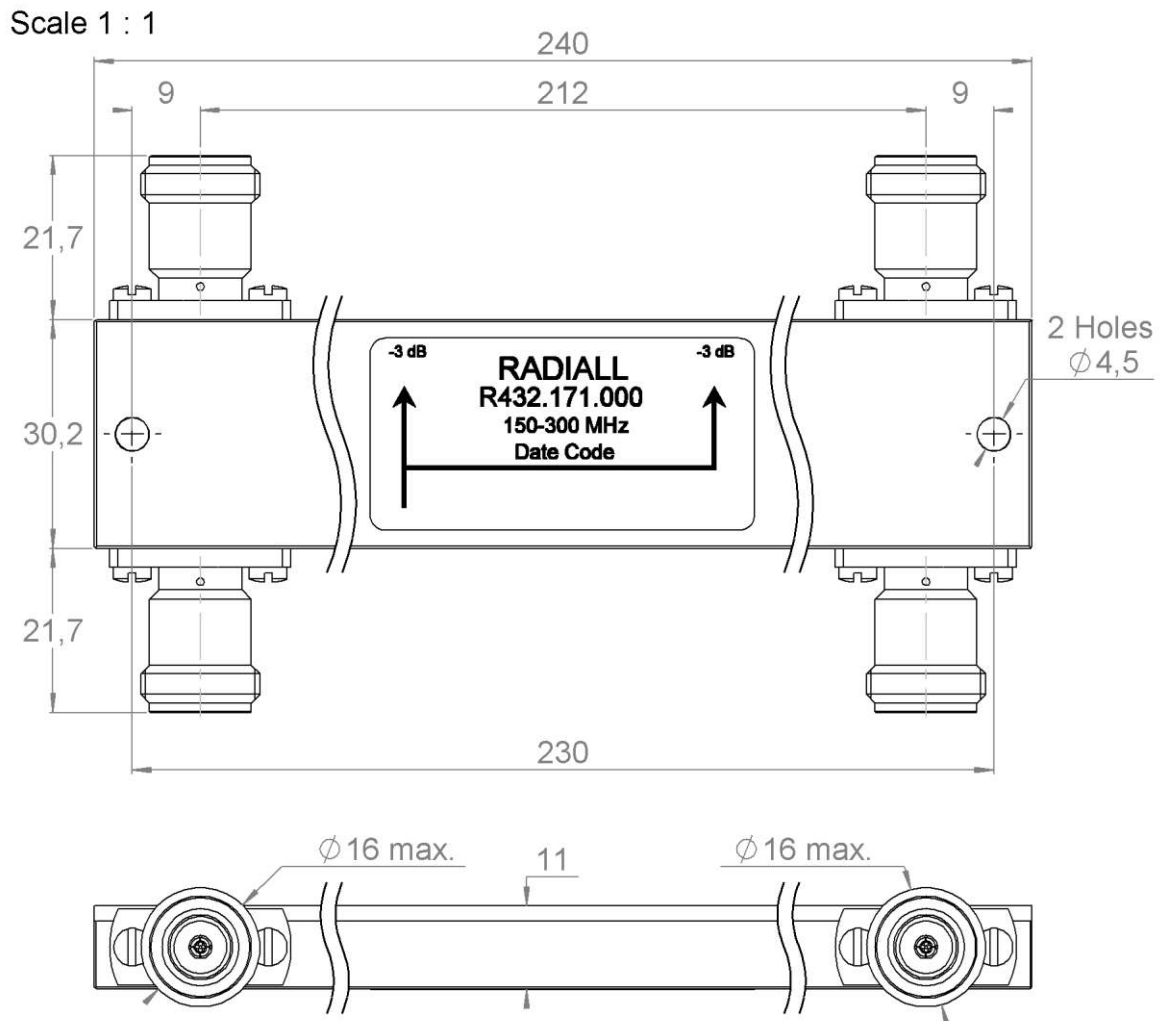
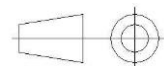


PAGE 1/2	ISSUE 12-04-18M	SERIES COUPLER	PART NUMBER R432171000
----------	-----------------	--------------------------	-------------------------------



All dimensions are in mm. Tolerances according ISO 2768 m-H

Weight **278,6200** g
Specification



ELECTRICAL CHARACTERISTICS

Frequency operating range :	0.15 – 0.30 GHz
Impedance :	50 Ω
VSWR	1.15 max.
Nominal Coupling :	3 dB
Insertion Loss :	0.3 dB max.
Isolation :	30 dB mini
Amplitude Balance :	± 0.5 dB
Phase Balance :	$90^\circ \pm 5^\circ$
Average Power at 25°C	500W
Peak Power at 25°C	5000W

MECHANICAL CHARACTERISTICS

Connector type :	N female per MIL-C 39012
------------------	--------------------------

ENVIRONMENTAL CHARACTERISTICS

Operating temperature :	-25°C / +70°C
Storage temperature :	-25°C / +70°C