

Evaluating the **ADN8833** Ultracompact 1 A Thermoelectric Cooler (TEC) Controller Driver

FEATURES

Evaluation boards for the **ADN8833**

1.0 A TEC driver for digital control systems

Operating voltage range: $V_{IN} = 2.7\text{ V to }5.5\text{ V}$

TEC voltage and current operation monitoring

Independent TEC heating and cooling current limit settings

Programmable maximum TEC voltage

External synchronization from 1.85 MHz to 3.25 MHz

Output for TEC module wires

2.5 V reference output

Disable jumper

40 mm × 25 mm WLCSP evaluation board size

45 mm × 25 mm LFCSP evaluation board size

DOCUMENTS NEEDED

[ADN8833](#) data sheet

ADN8833CB-EVALZ AND ADN8833CP-EVALZ EVALUATION BOARDS

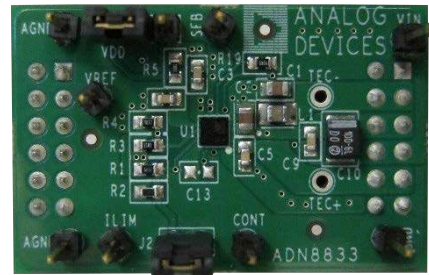


Figure 1. *ADN8833CB-EVALZ* WLCSP Evaluation Board



Figure 2. *ADN8833CP-EVALZ* LFCSP Evaluation Board

GENERAL DESCRIPTION

The **ADN8833CB-EVALZ** and **ADN8833CP-EVALZ** are configurable evaluation boards designed to work with various TEC modules. The **ADN8833** on the evaluation board delivers bidirectional current through the TEC controller using two pairs of the complementary integrated MOSFETs in an H-bridge configuration.

The voltage across the TEC is proportional to the voltage of the control signal applied to the CONT input pin.

With the on-board passive components and TEC cooling and heating current limits set to 1 A, the maximum TEC voltage is programmed to 3 V. To modify the cooling and heating TEC current limits and maximum TEC voltage setting, change the values of the corresponding components.

TABLE OF CONTENTS

Features	1	Cooling and Heating TEC current Limits	4
Documents Needed.....	1	PWM Operation Frequency	4
ADN8833CB-EVALZ and ADN8833CP-EVALZ Evaluation Boards.....	1	Read the TEC Voltage.....	5
General Description	1	Read the TEC Current	5
Revision History	2	TEC Driver Control	5
Using the Evaluation Board.....	3	Evaluation Board Schematics and Artwork	6
Board Connection	3	Ordering Information.....	10
Maximum TEC Voltage.....	3	Bill of Materials.....	10

REVISION HISTORY

10/15—Revision 0: Initial Version

USING THE EVALUATION BOARD

BOARD CONNECTION

Apply a power source to the VIN (ADN8833CB-EVALZ)/VIN+ (ADN8833CP-EVALZ) and GND terminals. Connect the TEC module to TEC+ and TEC-. The power source voltage must not exceed 5.5 V, the maximum operation input voltage of the ADN8833. Apply the TEC driver control signal to the CONT terminal and AGND. Remove the shunt from the VLIM/SD jumper to enable the controller.

MAXIMUM TEC VOLTAGE

The maximum TEC cooling voltage is set to 3 V by the values of $R_{V1} = 6.65 \text{ k}\Omega$ and $R_{V2} = 10 \text{ k}\Omega$.

To change the setting, modify the value of R_{V1} using the equations provided in the Using a Resistor Divider to Set the TEC Voltage Limit section (for more information, refer to the ADN8833 data sheet) or following the recommended values in Table 1.

Using a Resistor Divider to Set the TEC Voltage Limit

Calculate the cooling and heating limits using the following equations:

$$V_{VLIM_COOLING} = V_{REF} \times R_{V2} / (R_{V1} + R_{V2})$$

where $V_{REF} = 2.5 \text{ V}$.

$$V_{VLIM_HEATING} = V_{VLIM_COOLING} - I_{SINK_VLIM} \times R_{V1} \parallel R_{V2}$$

where $I_{SINK_VLIM} = 10 \mu\text{A}$.

$$V_{TEC_MAX_COOLING} = V_{VLIM_COOLING} \times A_{VLIM}$$

where $A_{VLIM} = 2 \text{ V/V}$.

$$V_{TEC_MAX_HEATING} = V_{VLIM_HEATING} \times A_{VLIM}$$

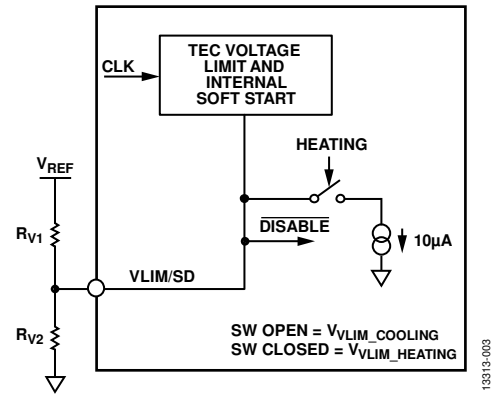


Figure 3. Programming the Maximum TEC Voltage

Table 1. Setting the Maximum TEC Voltage ($R_{V2} = 10 \text{ k}\Omega$)

$V_{TEC_MAX_COOLING} \text{ (V)}^1$	$V_{VLIM_COOLING} \text{ (V)}^2$	$R_{V1} \text{ (k}\Omega)^3$	$V_{TEC_COOLING} \text{ (V)}^4$	$R_{V1} \parallel R_{V2} \text{ (k}\Omega)^3$	$V_{VLIM_HEATING} \text{ (V)}^5$	$V_{TEC_MAX_HEATING} \text{ (V)}^6$	$V_{TEC_HEATING} \text{ (V)}^7$
4.750	2.375	0.53	2.438	0.5	2.370	4.740	0.065
4.500	2.250	1.11	2.375	1.0	2.240	4.480	0.130
4.250	2.125	1.76	2.313	1.5	2.110	4.220	0.195
4.000	2.000	2.50	2.250	2.0	1.980	3.960	0.260
3.750	1.875	3.33	2.188	2.5	1.850	3.700	0.325
3.500	1.750	4.29	2.125	3.0	1.720	3.440	0.390
3.250	1.625	5.38	2.063	3.5	1.590	3.180	0.455
3.000	1.500	6.67	2.000	4.0	1.460	2.920	0.520
2.750	1.375	8.18	1.938	4.5	1.330	2.660	0.585
2.500	1.250	10.00	1.875	5.0	1.200	2.400	0.650
2.250	1.125	12.22	1.813	5.5	1.070	2.140	0.715
2.000	1.000	15.00	1.750	6.0	0.940	1.880	0.780
1.750	0.875	18.57	1.688	6.5	0.810	1.620	0.845
1.500	0.750	23.33	1.625	7.0	0.680	1.360	0.910
1.250	0.625	30.00	1.563	7.5	0.550	1.100	0.975
1.000	0.500	40.00	1.500	8.0	0.420	0.840	1.040
0.750	0.375	56.67	1.438	8.5	0.290	0.580	1.105
0.500	0.250	90.00	1.375	9.0	0.160	0.320	1.170
0.250	0.125	190.00	1.313	9.5	0.030	0.060	1.235

¹ $V_{TEC_MAX_COOLING}$ is the maximum target TEC voltage when the ADN8833 operates in cooling mode.

² $V_{VLIM_COOLING}$ is the voltage set at the VLIM/SD input pin for cooling.

³ R_{V1} is the required value of Resistor R1. R_{V2} is the required value of Resistor R2.

⁴ $V_{TEC_COOLING}$ is the voltage at the VTEC output when the TEC voltage reaches the maximum in cooling mode.

⁵ $V_{VLIM_HEATING}$ is the voltage set at the VLIM/SD input pin for heating.

⁶ $V_{TEC_MAX_HEATING}$ is the maximum TEC voltage set when the ADN8833 operates in heating mode.

⁷ $V_{TEC_HEATING}$ is the voltage at the VTEC output when the TEC voltage reaches the maximum in heating mode.

COOLING AND HEATING TEC CURRENT LIMITS

The maximum TEC cooling and heating current limits are both set to 1 A by the values of $R_{C1} = 90.9 \text{ k}\Omega$ and $R_{C2} = 37.4 \text{ k}\Omega$. To change the settings, use the equations provided in Using a Resistor Divider to Set the TEC Current Limit section (for more information, refer to the ADN8833 the data sheet) or use the values recommended in Table 3.

Using a Resistor Divider to Set the TEC Current Limit

The internal current sink circuitry connected to ILIM draws a $40 \mu\text{A}$ current when the ADN8833 drives the TEC in a cooling direction, which allows a high cooling current. Use the following equations to calculate the maximum TEC currents:

$$V_{ILIM_HEATING} = V_{REF} \times R_{C2} / (R_{C1} + R_{C2})$$

where $V_{REF} = 2.5 \text{ V}$.

$$V_{ILIM_COOLING} = V_{ILIM_HEATING} + I_{SINK_ILIM} \times R_{C1} \parallel R_{C2}$$

where $I_{SINK_ILIM} = 40 \mu\text{A}$.

$$I_{TEC_MAX_COOLING} = \frac{V_{ILIM_COOLING} - 1.25 \text{ V}}{R_{CS}}$$

where $R_{CS} = 0.525 \text{ V/A}$.

$$I_{TEC_MAX_HEATING} = \frac{1.25 \text{ V} - V_{ILIM_HEATING}}{R_{CS}}$$

Table 3. Values of the Resistor Divider for ILIM Settings

$I_{TEC_MAX_COOLING} \text{ (A)}^1$	$V_{ILIM_COOLING} \text{ (V)}^2$	$I_{TEC_MAX_HEATING} \text{ (A)}^3$	$V_{ILIM_HEATING} \text{ (V)}^4$	$R_{C1} \text{ (k}\Omega)^5$	$R_{C2} \text{ (k}\Omega)^5$	$R_{C1} \parallel R_{C2} \text{ (k}\Omega)^5$
1.1	1.828	-1.1	0.673	107.3	39.5	28.875
1.0	1.775	-1.0	0.725	90.5	37.0	26.250
0.9	1.723	-0.9	0.778	76.0	34.3	23.625
0.8	1.670	-0.8	0.830	63.3	31.4	21.000
0.7	1.618	-0.7	0.883	52.1	28.4	18.375
0.6	1.565	-0.6	0.935	42.1	25.2	15.750
0.5	1.513	-0.5	0.988	33.2	21.7	13.125
0.4	1.460	-0.4	1.040	25.2	18.0	10.500
0.3	1.408	-0.3	1.093	18.0	14.0	7.875
0.2	1.355	-0.2	1.145	11.5	9.7	5.250
0.1	1.303	-0.1	1.198	5.5	5.0	2.625

¹ $I_{TEC_MAX_COOLING}$ is the maximum target TEC current when the ADN8833 operates in cooling mode
² $V_{ILIM_COOLING}$ is the voltage set at the ILIM pin when the ADN8833 operates in cooling mode.
³ $I_{TEC_MAX_HEATING}$ is the maximum target TEC current when the ADN8833 operates in heating mode.
⁴ $V_{ILIM_HEATING}$ is the voltage set at the ILIM pin when the ADN8833 operates in heating mode.
⁵ R_{C1} is the required value of Resistor R3. R_{C2} is the required value of Resistor R4.

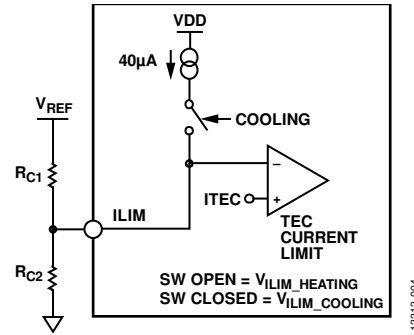


Figure 4. Programming the TEC Current Cooling and Heating Limits

PWM OPERATION FREQUENCY

The frequency of the PWM TEC driver stage can be configured at the 3-pin jumper, J1. Apply the external synchronization clock signal to the middle pin of the jumper.

Table 2. PWM Frequency Selection

EN/SY Pin	PWM Operation Frequency
Low (<0.8 V)	Shutdown
Open	Shutdown
High (>2.1 V)	2 MHz
External Clock Signal (High > 2.1 V, Low < 0.8 V)	From 1.85 MHz to 3.25 MHz

READ THE TEC VOLTAGE

The voltage on the VTEC output pin is proportional to the voltage across the TEC and is measured at Connector J5/Pin 1 (ADN8833CB-EVALZ, the WLCSP evaluation board) or J6/Pin 11 (ADN8833CP-EVALZ, the LFCSP evaluation board). The relationship between the voltage on the VTEC output and the voltage across the TEC is as follows:

$$V_{TEC} = V_{LDR} - V_{SFB} = 4 \times (V_{VTEC} - 0.5 \times V_{REF})$$

where:

V_{TEC} is the voltage across the TEC.

V_{LDR} is the voltage measured at the LDR pin.

V_{SFB} is the voltage measured at the SFB pin.

V_{VTEC} is the voltage measured at the VTEC pin.

V_{REF} is the reference voltage, 2.5 V.

READ THE TEC CURRENT

The voltage on the ITEC output pin is proportional to the TEC current, and is measured at Connector J5/Pin 2 (ADN8833CB-EVALZ) or J6/Pin 12 (ADN8833CP-EVALZ). Calculate the TEC current from the ITEC pin voltage as follows:

$$I_{TEC} = \frac{V_{ITEC} - 0.5 \times V_{REF}}{R_{CS}}$$

where:

I_{TEC} is the TEC current; defined as the current flowing into the TEC positive terminal TEC+ and out of the TEC negative terminal, TEC-.

V_{ITEC} is the voltage measured at the ITEC pin.

V_{REF} is the reference voltage, 2.5 V.

R_{CS} is the current sense gain, 0.525 V/A.

TEC DRIVER CONTROL

The TEC driver has a linear driver LDR and a PWM driver with an SW output and a voltage feedback input pin, SFB. It is controlled by the voltage signal at the CONT pin. The equations for the linear and PWM driver outputs, respectively, are as follows:

$$V_{LDR} = V_B - 40(V_{CONT} - 1.25 \text{ V})$$

$$V_{SFB} = V_{LDR} + 5(V_{CONT} - 1.25 \text{ V})$$

where:

V_{CONT} is the voltage at the CONT pin.

V_B is determined by the voltage at the VDD pin as

$$V_B = 1.5 \text{ V} \quad (V_{VDD} < 4.0 \text{ V})$$

$$V_B = 2.5 \text{ V} \quad (V_{VDD} > 4.0 \text{ V})$$

The V_{LDR} and V_{SFB} voltages are limited by the power supply voltage with the upper limit of V_{VDD} and the lower limit of 0 V.

EVALUATION BOARD SCHEMATICS AND ARTWORK

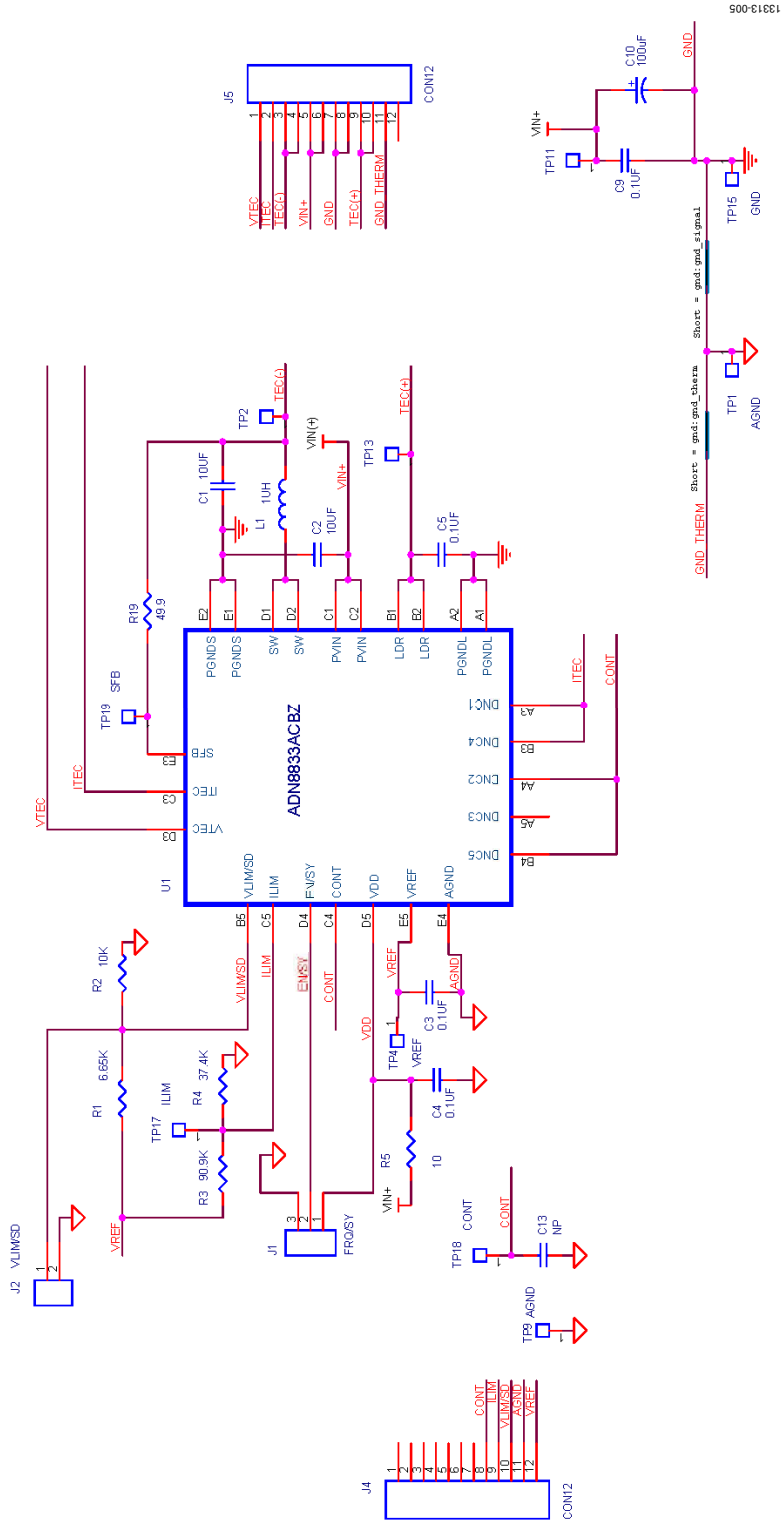


Figure 5. ADN8833CB-EVALZ WLCSP Evaluation Board Schematic

131313006

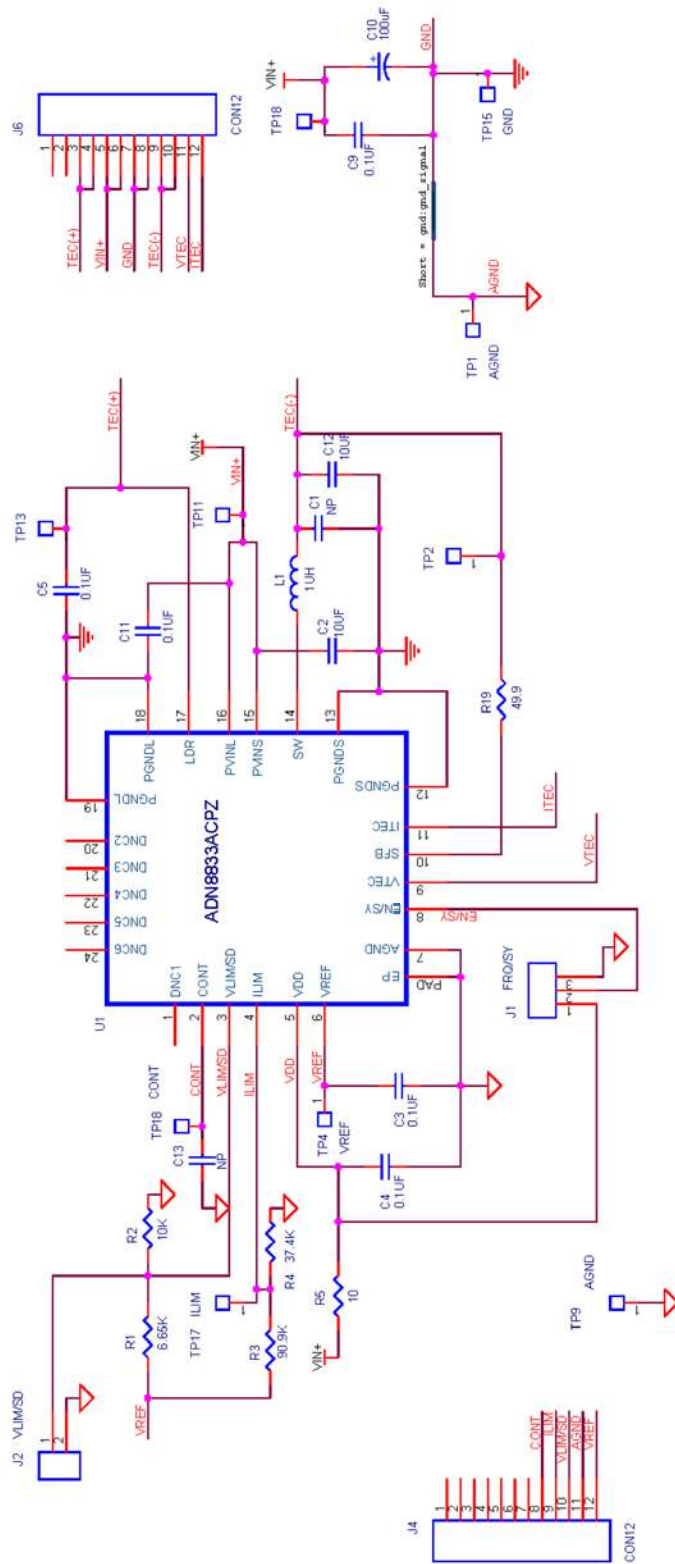


Figure 6. ADN8833CP-EVALZ LFCSP Evaluation Board Schematic

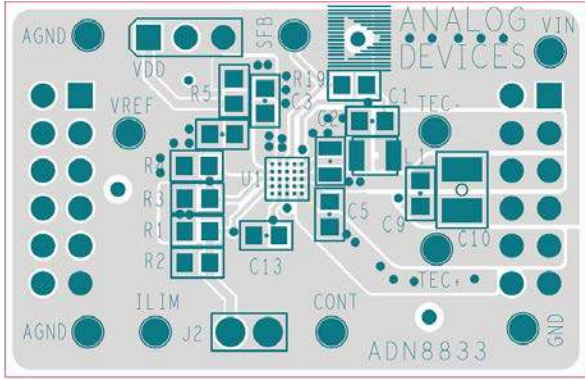


Figure 7. ADN8833CB-EVALZ Evaluation Board Top Layer

13313-007

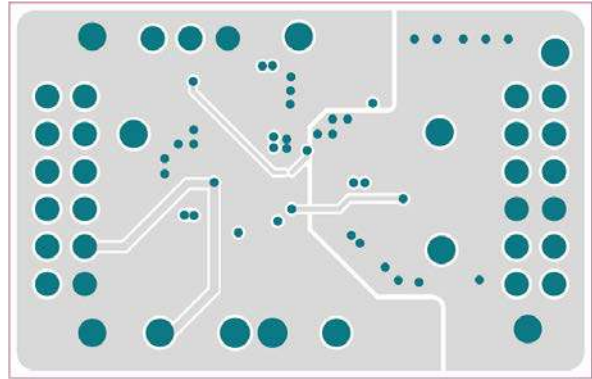


Figure 9. ADN8833CB-EVALZ Evaluation Board Second Layer

13313-009

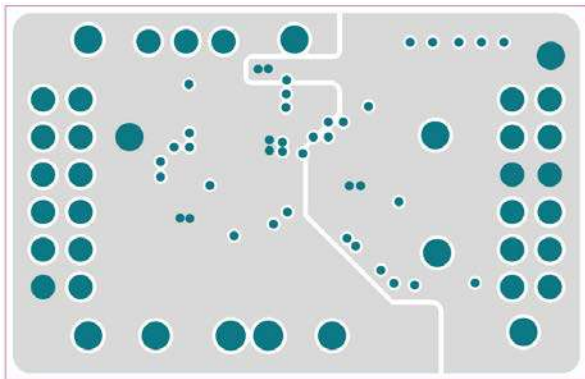


Figure 8. ADN8833CB-EVALZ Evaluation Board Third Layer

13313-008

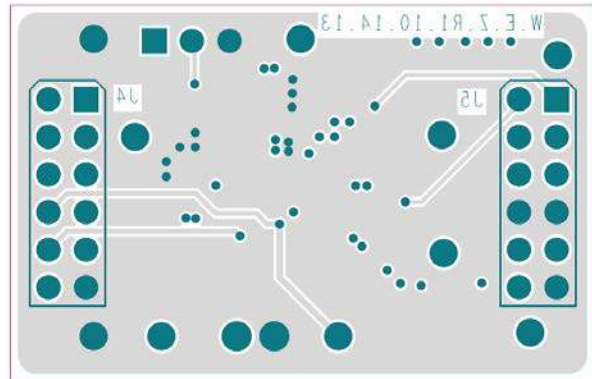


Figure 10. ADN8833CB-EVALZ Evaluation Board Bottom Layer

13313-010

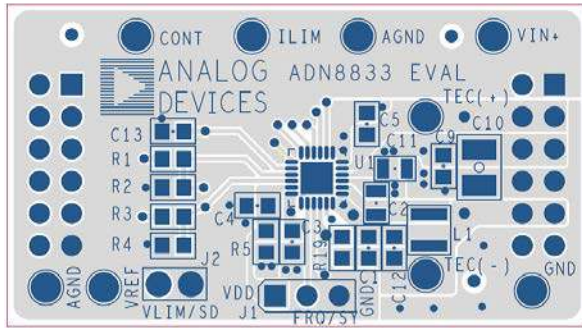


Figure 11. ADN8833CP-EVALZ Evaluation Board Top Layer

13313-011

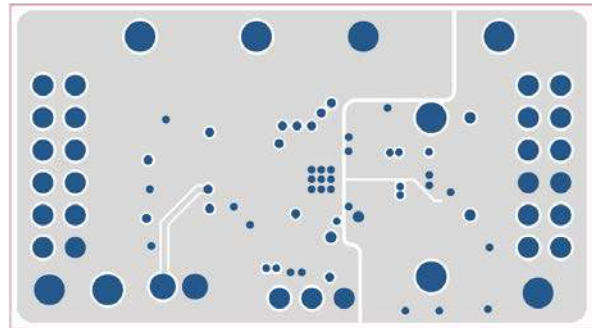


Figure 12. ADN8833CP-EVALZ Evaluation Board Second Layer

13313-012

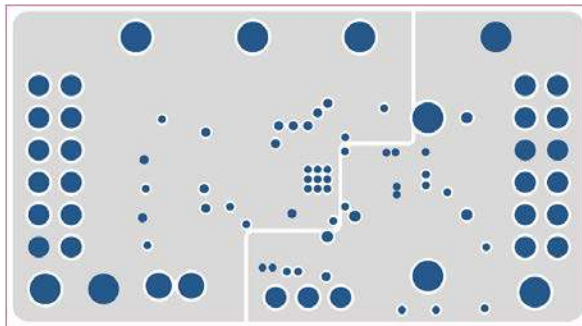


Figure 13. ADN8833CP-EVALZ Evaluation Board Third Layer

13313-013

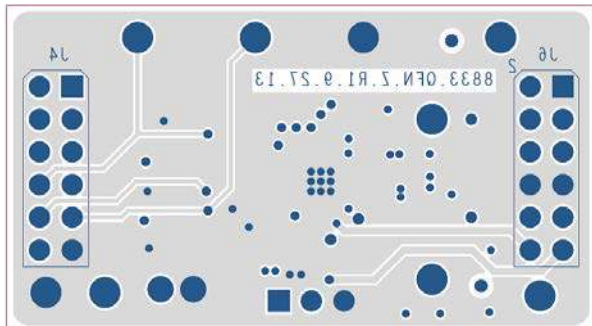


Figure 14. ADN8833CP-EVALZ Evaluation Board Bottom Layer

13313-014

ORDERING INFORMATION

BILL OF MATERIALS

Table 4. ADN8833CB-EVALZ WLCSP Evaluation Board

Quantity	Reference	Description	Manufacturer	Part Number
2	C1, C2	Ceramic capacitor, 10 μ F, 10 V, 10%, X7R, 0805	Taiyo Yuden	LMK212B7106KG-TD
4	C3, C4, C5, C9	Ceramic capacitor, 0.1 μ F, 10 V, 10%, X7R, 0603	Kemet	C0603C104K8RACTU
1	C10	Tantalum capacitor, 100 μ F, 6.3 V, 20%, 1411	Vishay	293D107X96R3B2TE3
1	J1	Jumper, 3-pin	Samtec	TSW-103-08-G-S
1	J2	Jumper, 2-pin	Samtec	TSW-103-08-G-S
2	J4, J5	Connector, double row, male, 12-pin	Samtec	TSW-112-08-G-D
1	L1	Inductor, 1 μ H	TOKO	1286AS-H-1R0M
1	R1	Resistor, 6.65 k Ω , 1/10 W, 1%, 0603, SMD	Vishay	CRCW06036K65FKEA
1	R2	Resistor, 10 k Ω , 1/10 W, 1%, 0603, SMD	Vishay	ERJ-3EKF1002V
1	R3	Resistor, 90.9 k Ω , 1/10 W, 1%, 0603, SMD	Vishay	CRCW060390K9FKEA
1	R4	Resistor, 37.4 k Ω , 1/10 W, 1%, 0603, SMD	Vishay	CRCW060337K4FKEA
1	R5	Resistor, 10.0 Ω , 1/10 W, 1%, 0603, SMD	Vishay	CRCW060310R0FKEA
1	R19	Resistor, 49.9 Ω , 1/10 W, 1%, 0603, SMD	Vishay	CRCW060349R9FKEA
8	TP1, TP4, TP9, TP11, TP15, TP17, TP18, TP19	Test point	Samtec	TSW-103-08-G-S
1	U1	Ultracompact, 1 A, TEC driver, WLCSP package	Analog Devices, Inc.	ADN8833ACBZ-R7

Table 5. ADN8833CP-EVALZ LFCSP Evaluation Board

Quantity	Reference	Description	Manufacturer	Part Number
2	C2, C12	Ceramic capacitor, 10 μ F, 10 V, 10%, X7R, 0805	Taiyo Yuden	LMK212B7106KG-TD
5	C3, C4, C5, C9, C11	Ceramic capacitor, 0.1 μ F, 10 V, 10%, X7R, 0603	Kemet	C0603C104K8RACTU
1	C10	Tantalum capacitor, 100 μ F, 6.3 V, 20%, 1411	Vishay	293D107X06R3B2T
1	J1	Jumper, 3-pin	Samtec	TSW-103-08-G-S
1	J2	Jumper, 2-pin	Samtec	TSW-103-08-G-S
2	J4, J6	Connector, male, 12-pin	Samtec	TSW-112-08-G-D
1	L1	Inductor, 1 μ H	Coilcraft	XFL3012-102ME
1	R1	Resistor, 6.65 k Ω , 1/10 W, 1%, 0603, SMD	Vishay	CRCW06036K65FKEA
1	R2	Resistor, 10 k Ω , 1/10 W, 1%, 0603, SMD	Vishay	ERJ-3EKF1002V
1	R3	Resistor, 90.9 k Ω , 1/10 W, 1%, 0603, SMD	Vishay	CRCW060390K9FKEA
1	R4	Resistor, 37.4 k Ω , 1/10 W, 1%, 0603, SMD	Vishay	CRCW060337K4FKEA
1	R5	Resistor, 10.0 Ω , 1/10 W, 1%, 0603, SMD	Vishay	CRCW060310R0FKEA
1	R19	Resistor, 49.9 Ω , 1/10 W, 1%, 0603, SMD	Vishay	CRCW060349R9FKEA
7	TP1, TP2, TP4, TP9, TP15, TP17, TP18	Test point	Keystone	5010
2	TP2, TP11	Connector	MILL-MAX	3102-2-00-21-00-08-0
1	U1	Ultracompact, 1 A, TEC driver, LFCSP package	Analog Devices	ADN8833ACPZ-R7

NOTES



ESD Caution

ESD (electrostatic discharge) sensitive device. Charged devices and circuit boards can discharge without detection. Although this product features patented or proprietary protection circuitry, damage may occur on devices subjected to high energy ESD. Therefore, proper ESD precautions should be taken to avoid performance degradation or loss of functionality.

Legal Terms and Conditions

By using the evaluation board discussed herein (together with any tools, components documentation or support materials, the "Evaluation Board"), you are agreeing to be bound by the terms and conditions set forth below ("Agreement") unless you have purchased the Evaluation Board, in which case the Analog Devices Standard Terms and Conditions of Sale shall govern. Do not use the Evaluation Board until you have read and agreed to the Agreement. Your use of the Evaluation Board shall signify your acceptance of the Agreement. This Agreement is made by and between you ("Customer") and Analog Devices, Inc. ("ADI"), with its principal place of business at One Technology Way, Norwood, MA 02062, USA. Subject to the terms and conditions of the Agreement, ADI hereby grants to Customer a free, limited, personal, temporary, non-exclusive, non-sublicensable, non-transferable license to use the Evaluation Board FOR EVALUATION PURPOSES ONLY. Customer understands and agrees that the Evaluation Board is provided for the sole and exclusive purpose referenced above, and agrees not to use the Evaluation Board for any other purpose. Furthermore, the license granted is expressly made subject to the following additional limitations: Customer shall not (i) rent, lease, display, sell, transfer, assign, sublicense, or distribute the Evaluation Board; and (ii) permit any Third Party to access the Evaluation Board. As used herein, the term "Third Party" includes any entity other than ADI, Customer, their employees, affiliates and in-house consultants. The Evaluation Board is NOT sold to Customer; all rights not expressly granted herein, including ownership of the Evaluation Board, are reserved by ADI. CONFIDENTIALITY. This Agreement and the Evaluation Board shall all be considered the confidential and proprietary information of ADI. Customer may not disclose or transfer any portion of the Evaluation Board to any other party for any reason. Upon discontinuation of use of the Evaluation Board or termination of this Agreement, Customer agrees to promptly return the Evaluation Board to ADI. ADDITIONAL RESTRICTIONS. Customer may not disassemble, decompile or reverse engineer chips on the Evaluation Board. Customer shall inform ADI of any occurred damages or any modifications or alterations it makes to the Evaluation Board, including but not limited to soldering or any other activity that affects the material content of the Evaluation Board. Modifications to the Evaluation Board must comply with applicable law, including but not limited to the RoHS Directive. TERMINATION. ADI may terminate this Agreement at any time upon giving written notice to Customer. Customer agrees to return to ADI the Evaluation Board at that time. LIMITATION OF LIABILITY. THE EVALUATION BOARD PROVIDED HEREUNDER IS PROVIDED "AS IS" AND ADI MAKES NO WARRANTIES OR REPRESENTATIONS OF ANY KIND WITH RESPECT TO IT. ADI SPECIFICALLY DISCLAIMS ANY REPRESENTATIONS, ENDORSEMENTS, GUARANTEES, OR WARRANTIES, EXPRESS OR IMPLIED, RELATED TO THE EVALUATION BOARD INCLUDING, BUT NOT LIMITED TO, THE IMPLIED WARRANTY OF MERCHANTABILITY, TITLE, FITNESS FOR A PARTICULAR PURPOSE OR NON-INFRINGEMENT OF INTELLECTUAL PROPERTY RIGHTS. IN NO EVENT WILL ADI AND ITS LICENSORS BE LIABLE FOR ANY INCIDENTAL, SPECIAL, INDIRECT, OR CONSEQUENTIAL DAMAGES RESULTING FROM CUSTOMER'S POSSESSION OR USE OF THE EVALUATION BOARD, INCLUDING BUT NOT LIMITED TO LOST PROFITS, DELAY COSTS, LABOR COSTS OR LOSS OF GOODWILL. ADI'S TOTAL LIABILITY FROM ANY AND ALL CAUSES SHALL BE LIMITED TO THE AMOUNT OF ONE HUNDRED US DOLLARS (\$100.00). EXPORT. Customer agrees that it will not directly or indirectly export the Evaluation Board to another country, and that it will comply with all applicable United States federal laws and regulations relating to exports. GOVERNING LAW. This Agreement shall be governed by and construed in accordance with the substantive laws of the Commonwealth of Massachusetts (excluding conflict of law rules). Any legal action regarding this Agreement will be heard in the state or federal courts having jurisdiction in Suffolk County, Massachusetts, and Customer hereby submits to the personal jurisdiction and venue of such courts. The United Nations Convention on Contracts for the International Sale of Goods shall not apply to this Agreement and is expressly disclaimed.

©2015 Analog Devices, Inc. All rights reserved. Trademarks and registered trademarks are the property of their respective owners.
UG13313-0-10/15(10)



www.analog.com