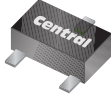


CMUT2222A
SURFACE MOUNT
NPN SILICON TRANSISTOR

ULTRAmiTM



SOT-523 CASE



www.centrasemi.com

DESCRIPTION:

The CENTRAL SEMICONDUCTOR CMUT2222A type is an NPN silicon transistor manufactured by the epitaxial planar process, epoxy molded in an ULTRAmiTM surface mount package, designed for small signal general purpose and switching applications.

MARKING CODE: PC1

MAXIMUM RATINGS: ($T_A=25^\circ\text{C}$)

	SYMBOL		UNITS
Collector-Base Voltage	V_{CBO}	75	V
Collector-Emitter Voltage	V_{CEO}	40	V
Emitter-Base Voltage	V_{EBO}	6.0	V
Continuous Collector Current	I_C	600	mA
Power Dissipation	P_D	250	mW
Operating and Storage Junction Temperature	T_J, T_{stg}	-65 to +150	$^\circ\text{C}$
Thermal Resistance	Θ_{JA}	500	$^\circ\text{C}/\text{W}$

ELECTRICAL CHARACTERISTICS: ($T_A=25^\circ\text{C}$ unless otherwise noted)

SYMBOL	TEST CONDITIONS	MIN	MAX	UNITS
I_{CBO}	$V_{CB}=60\text{V}$		10	nA
I_{CBO}	$V_{CB}=60\text{V}, T_A=125^\circ\text{C}$		10	μA
I_{CEV}	$V_{CE}=60\text{V}, V_{EB}=3.0\text{V}$		10	nA
I_{EBO}	$V_{EB}=3.0\text{V}$		10	nA
BV_{CBO}	$I_C=10\mu\text{A}$	75		V
BV_{CEO}	$I_C=10\text{mA}$	40		V
BV_{EBO}	$I_E=10\mu\text{A}$	6.0		V
$V_{CE(SAT)}$	$I_C=150\text{mA}, I_B=15\text{mA}$		0.3	V
$V_{CE(SAT)}$	$I_C=500\text{mA}, I_B=50\text{mA}$		1.0	V
$V_{BE(SAT)}$	$I_C=150\text{mA}, I_B=15\text{mA}$	0.6	1.2	V
$V_{BE(SAT)}$	$I_C=500\text{mA}, I_B=50\text{mA}$		2.0	V
h_{FE}	$V_{CE}=10\text{V}, I_C=0.1\text{mA}$	35		
h_{FE}	$V_{CE}=10\text{V}, I_C=1.0\text{mA}$	50		
h_{FE}	$V_{CE}=10\text{V}, I_C=10\text{mA}$	75		
h_{FE}	$V_{CE}=10\text{V}, I_C=150\text{mA}$	100	300	
h_{FE}	$V_{CE}=1.0\text{V}, I_C=150\text{mA}$	50		
h_{FE}	$V_{CE}=10\text{V}, I_C=500\text{mA}$	40		

R3 (9-February 2010)

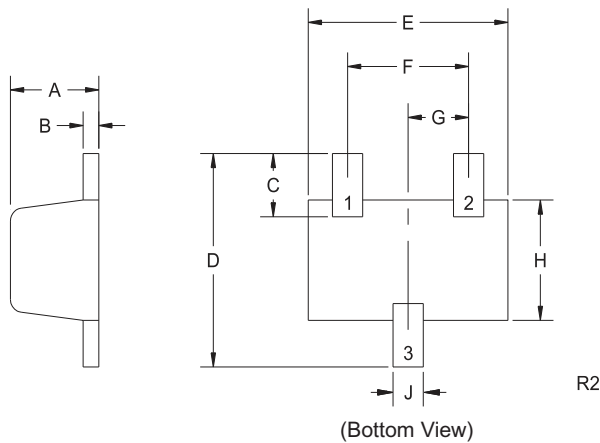
CMUT2222A
SURFACE MOUNT
NPN SILICON TRANSISTOR



ELECTRICAL CHARACTERISTICS - Continued: ($T_A=25^\circ\text{C}$ unless otherwise noted)

SYMBOL	TEST CONDITIONS	MIN	MAX	UNITS
f_T	$V_{CE}=20\text{V}$, $I_C=20\text{mA}$, $f=100\text{MHz}$	300		MHz
C_{ob}	$V_{CB}=10\text{V}$, $I_E=0$, $f=1.0\text{MHz}$		8.0	pF
C_{ib}	$V_{EB}=0.5\text{V}$, $I_C=0$, $f=1.0\text{MHz}$		25	pF
h_{ie}	$V_{CE}=10\text{V}$, $I_C=1.0\text{mA}$, $f=1.0\text{kHz}$	2.0	8.0	$k\Omega$
h_{ie}	$V_{CE}=10\text{V}$, $I_C=10\text{mA}$, $f=1.0\text{kHz}$	0.25	1.25	$k\Omega$
h_{re}	$V_{CE}=10\text{V}$, $I_C=1.0\text{mA}$, $f=1.0\text{kHz}$		8.0	$\times 10^{-4}$
h_{re}	$V_{CE}=10\text{V}$, $I_C=10\text{mA}$, $f=1.0\text{kHz}$		4.0	$\times 10^{-4}$
h_{fe}	$V_{CE}=10\text{V}$, $I_C=1.0\text{mA}$, $f=1.0\text{kHz}$	50	300	
h_{fe}	$V_{CE}=10\text{V}$, $I_C=10\text{mA}$, $f=1.0\text{kHz}$	75	375	
h_{oe}	$V_{CE}=10\text{V}$, $I_C=1.0\text{mA}$, $f=1.0\text{kHz}$	5.0	35	μS
h_{oe}	$V_{CE}=10\text{V}$, $I_C=10\text{mA}$, $f=1.0\text{kHz}$	25	200	μS
$rb'C_c$	$V_{CB}=10\text{V}$, $I_E=20\text{mA}$, $f=31.8\text{MHz}$		150	ps
NF	$V_{CE}=10\text{V}$, $I_C=100\mu\text{A}$, $R_S=1.0k\Omega$, $f=1.0\text{kHz}$		4.0	dB
t_d	$V_{CC}=30\text{V}$, $V_{BE}=0.5\text{V}$, $I_C=150\text{mA}$, $I_{B1}=15\text{mA}$		10	ns
t_r	$V_{CC}=30\text{V}$, $V_{BE}=0.5\text{V}$, $I_C=150\text{mA}$, $I_{B1}=15\text{mA}$		25	ns
t_s	$V_{CC}=30\text{V}$, $I_C=150\text{mA}$, $I_{B1}=I_{B2}=15\text{mA}$		225	ns
t_f	$V_{CC}=30\text{V}$, $I_C=150\text{mA}$, $I_{B1}=I_{B2}=15\text{mA}$		60	ns

SOT-523 CASE - MECHANICAL OUTLINE



SYMBOL	DIMENSIONS			
	INCHES		MILLIMETERS	
	MIN	MAX	MIN	MAX
A	0.023	0.031	0.58	0.78
B	0.002	0.008	0.04	0.20
C	0.013	0.021	0.34	0.54
D	0.059	0.067	1.50	1.70
E	0.059	0.067	1.50	1.70
F	0.035	0.043	0.90	1.10
G	0.020		0.50	
H	0.031	0.039	0.78	0.98
J	0.010	0.014	0.25	0.35

SOT-523 (REV: R2)

LEAD CODE:

- 1) Base
- 2) Emitter
- 3) Collector

MARKING CODE: PC1

R3 (9-February 2010)

OUTSTANDING SUPPORT AND SUPERIOR SERVICES



PRODUCT SUPPORT

Central's operations team provides the highest level of support to insure product is delivered on-time.

- Supply management (Customer portals)
- Inventory bonding
- Consolidated shipping options
- Custom bar coding for shipments
- Custom product packing

DESIGNER SUPPORT/SERVICES

Central's applications engineering team is ready to discuss your design challenges. Just ask.

- Free quick ship samples (2nd day air)
- Online technical data and parametric search
- SPICE models
- Custom electrical curves
- Environmental regulation compliance
- Customer specific screening
- Up-screening capabilities
- Special wafer diffusions
- PbSn plating options
- Package details
- Application notes
- Application and design sample kits
- Custom product and package development

REQUESTING PRODUCT PLATING

1. If requesting Tin/Lead plated devices, add the suffix "TIN/LEAD" to the part number when ordering (example: 2N2222A TIN/LEAD).
2. If requesting Lead (Pb) Free plated devices, add the suffix "PBFREE" to the part number when ordering (example: 2N2222A PBFREE).

CONTACT US

Corporate Headquarters & Customer Support Team

Central Semiconductor Corp.
145 Adams Avenue
Hauppauge, NY 11788 USA
Main Tel: (631) 435-1110
Main Fax: (631) 435-1824
Support Team Fax: (631) 435-3388
www.centrasemi.com

Worldwide Field Representatives:
www.centrasemi.com/wwreps

Worldwide Distributors:
www.centrasemi.com/wwdistributors

For the latest version of Central Semiconductor's **LIMITATIONS AND DAMAGES DISCLAIMER**, which is part of Central's Standard Terms and Conditions of sale, visit: www.centrasemi.com/terms