

SmartSL

3rd Generation Intel® Atom™ Processor Ultra-slim Fanless Box Computer



Models shown with Optional Antennas Kit

Features

- Wireless Communications: 4G WLAN, GPS, GSM/GPRS, and Bluetooth
- Ultra-slim size: 173 mm x 88 mm x 21.7 mm (6.81" x 3.46" x 0.85")
- 3rd Gen Intel® Atom™ Processor (formerly Bay Trail)
- Wide-Range DC voltage input
- Cableless, fanless system, aluminum alloy structure
- Two Mini PCIe interfaces
- SIM socket
- One mSATA socket
- 16-bit programmable GPIO
- Two RJ45 GbE
- One USB 3.0 port and four USB 2.0 ports
- One UART RS-232 port

Specifications

System

CPU	Intel® Atom™ E3815 1.46GHz, Single Core L2 cache, 512KB, 5W TDP
Chipset	Integrated in SoC
Memory	DDR3L 1GB with 1333 MT/s
BIOS	AMI Aptio® UEFI 2.x firmware
Watchdog Timer	Multistage watchdog

Graphics

Video Port Controller	One DDI Intel® HD Graphics 7 th Generation
------------------------------	--

Power

DC Input	9 - 32V
-----------------	---------

External I/O

Ethernet	Two RJ45 GbE
Digital I/O	16-bit programmable GPIO
USB 3.0 / 2.0	One USB 3.0/2.0 port and four USB 2.0 ports
COM	One RS-232 port
Audio	One Mic-in / Line-out
Wi-Fi/Cellular Application	Supports Wi-Fi / LTE module(s) via two Mini PCIe interfaces

Mechanical

Dimensions (WxDxH)	173(W) mm x 88(D) mm x 7(H) mm (6.81" x 3.46" x 0.85")
Weight (net/gross)	0.75kg
Mounting	Two Wall Mount brackets

Storage

SATA	One mSATA socket
SIM and USIM Socket Support	Two SIM or USIM Sockets

Other

Antenna	Three Antenna openings
----------------	------------------------

Environment

Operating Temperature	-20°C - +60°C
Storage Temperature	Storage: -40°C - +85°C / Operation: 10% - 90%
Operation Humidity	10% - 90% Humidity, non-condensing
Storage Humidity	5% - 95% Humidity, non-condensing

Certifications

	CE/CB/FCC Class A
--	-------------------

OS Support

Windows 7	
Linux	
Windows Embedded Compact 7	
Windows 8 Embedded	

Optional Accessories

Wireless Module

Wi-Fi Module	Bointec DPE109A, WLAN 802.11abgn/AC2T2R with BT4.2 mini-PCIe half-size card support
LTE Module	Customer choice based on regional requirements

Cable & Connectors

CBL-S01	One (data + power) cord
TBP5-S03	One 3-Pin, pitch 5.0mm Female Terminal Block Plug for DC input
TBP3-S05	One 5-Pin, pitch 3.81mm Female Terminal Block Plug for remote connector
TBP3-D20	One 2x10-Pin, pitch 2.54mm Female Terminal Block Plug for DIO connector

TPM

	Infineon OPTIGA™ TPM SLB 9665 TPM 2.0
--	---------------------------------------

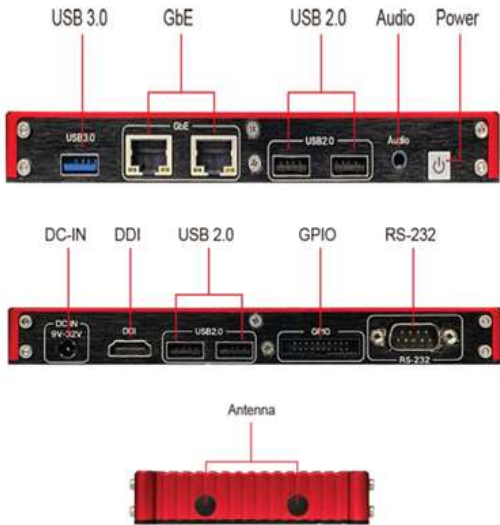
Antenna Kits

20140-000031-A.0	Wi-Fi, one mini-PCIe half to full size adapter bracket, two antennas supporting IPX/MHF to SMA_JR 300 MM, WITH TWO 2.4G RP SMA Plugs (3dB)
2014-000022-A.0	Cellular, two antennas supporting IPX/MHF (Female) to SMA ST Jack (Male), 300 mm, two LTE 704-960/1710-2690MHz SMA ST Plug 2(dB) 50 Ω 161 mm

SmartSL

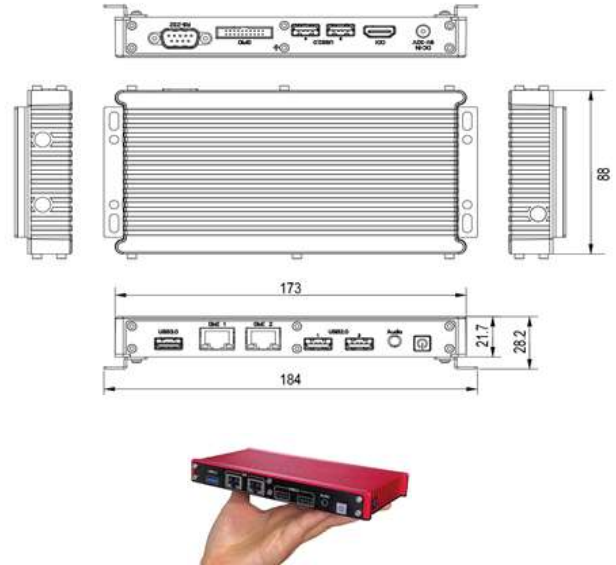
3rd Generation Intel® Atom™ Processor Ultra-slim Fanless Box Computer

I/O Interface



Dimensions

units: mm



Order Information

Part Number

U7-131/E3815-1G-mSATA64G-P104B12-01 U7-100 Fanless Box PC, Intel® Atom™ E3815 (1x 1.46GHz, 512kB L2Cache, 5W), Memory DDR3L, 1GB/1067MHz on-board, 64GB mSATA, 40W Power Adapter & Cord.

Packing List

1. One SmartSL Box Computer
2. AC-DC Power Adapter (24V/40W) with pitch 5.0mm 3-pin terminal block plug
3. AC-DC Power Cord YP-12/YC-12, plug type B, American (USA)
4. Two Wall Mount Brackets