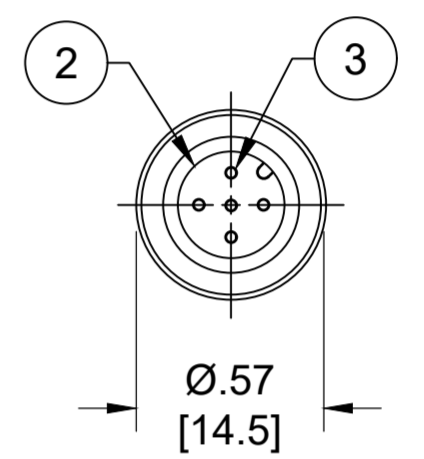
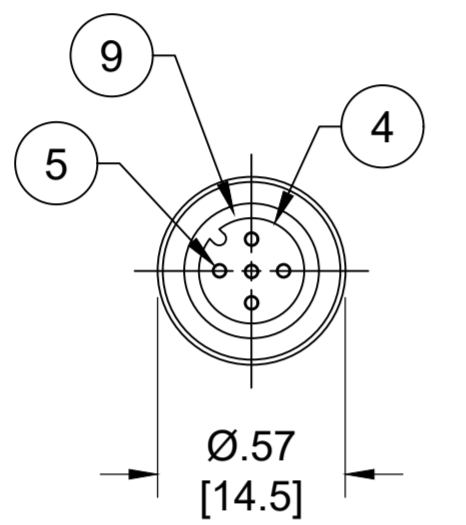
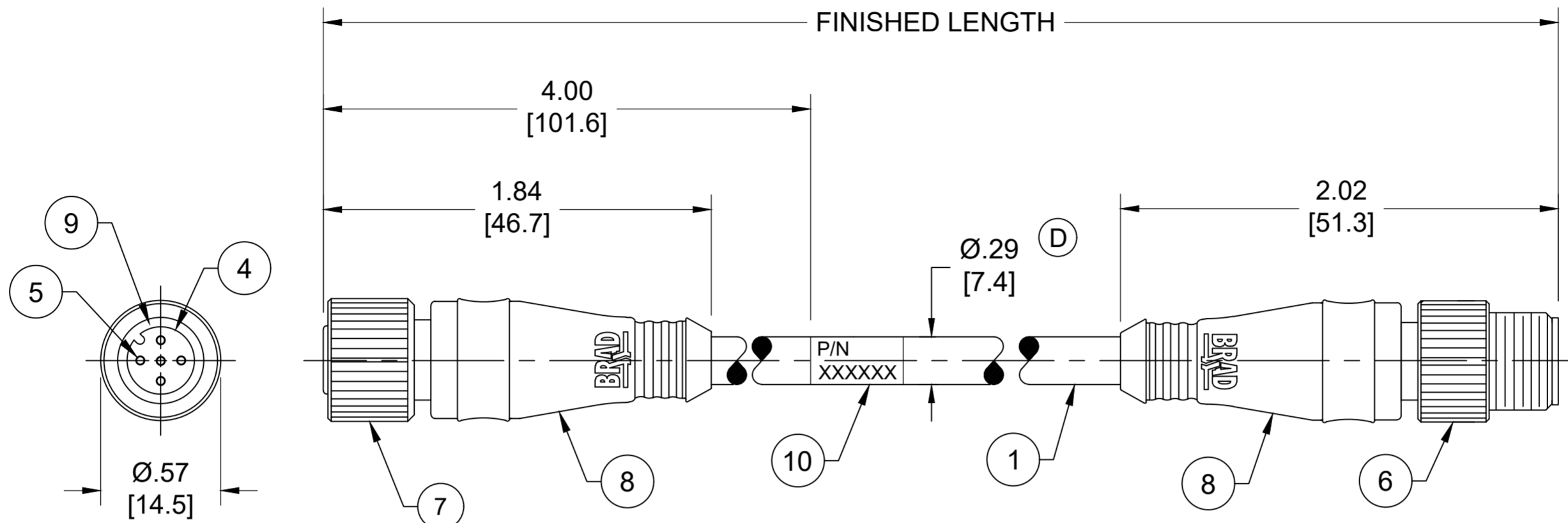
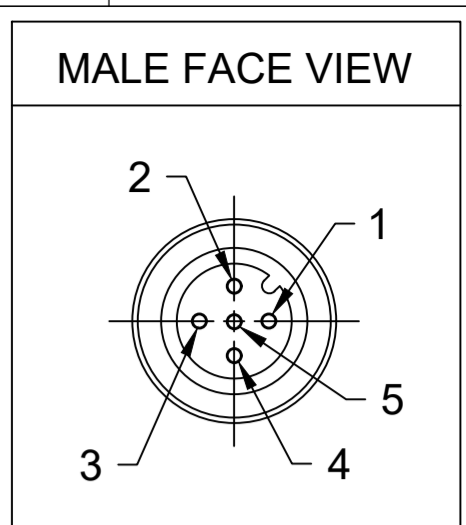


| MATERIAL NUMBER | ENGINEERING NUMBER | FINISHED LENGTH |
|-----------------|--------------------|------------------|
| 1300280021 | DND22A-M002 | 0.2M [8 IN] |
| 1300280050 | DND22A-M200 | 20M [65FT 7 IN] |
| 1300280055 | DND22A-M400 | 40M [131FT 3 IN] |

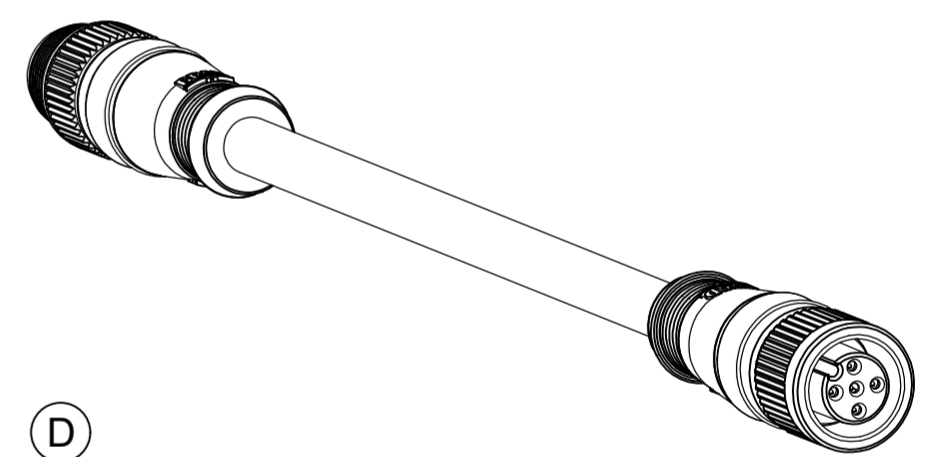


- NOTES:
- MATERIAL: AS NOTED
 - FINISH: AS NOTED
 - ELECTRICAL:
VOLTAGE : 250V AC/DC (D)
CURRENT: 4A
 - TEMP RATING: -20° TO +80°C
 - PROTECTION: IP67 (WHEN MATED)
 - COUPLING THREAD: M12X1
 - UL LISTED FILE: E152210
CSA CERTIFIED FILE: LR6837
 - ALL DIMENSIONS ARE FOR REFERENCE
UNLESS TOLERACED OR NOTED OTHERWISE

PART NUMBER LEGEND

DND22A-M005

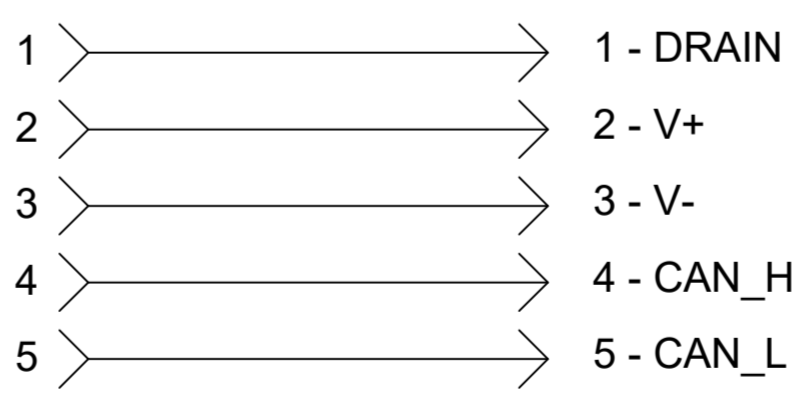
FINISHED LENGTH:
M005= 0.5 METER
M010= 1 METER
M100= 10 METER



| 10 | WRAP LABEL | VINYL | BLACK/YELLOW |
|------|---------------------|---------------|------------------|
| 9 | O-RING | NITRILE | RED |
| 8 | OVERMOLD | TPC | GRAY |
| 7 | FEMALE COUPLING NUT | ZINC DIE CAST | BLACK E-COATED |
| 6 | MALE COUPLING NUT | ZINC DIE CAST | BLACK E-COATED |
| 5 | CONTACT SOCKET | COPPER ALLOY | GOLD OVER NICKEL |
| 4 | FEMALE INSERT | NYLON 6/6 | BLACK |
| 3 | CONTACT PIN | COPPER ALLOY | GOLD OVER NICKEL |
| 2 | MALE INSERT | NYLON 6/6 | BLACK |
| 1 | CABLE #22 AWG | PVC | GRAY |
| ITEM | COMPONENT | MATERIAL | FINISH |

(D)
(D)

SCHEMATIC



(D)

| CABLE LENGTH TOLERANCES | |
|--------------------------|-------------------------|
| <.3M [1FT]: | +19mm-0 [+.75in-0] |
| .3 - .9M [1 - 3FT]: | +44.5mm-0 [+1.75in-0] |
| .9 - 1.8M [3 - 6FT]: | +55.6mm-0 [+2.19in-0] |
| 1.8 - 3.7M [6 - 12FT]: | +88.9mm-0 [+3.50in-0] |
| 3.7 - 7.3M [12 - 24FT]: | +165.1mm-0 [+6.50in-0] |
| 7.3-14.6M [24 - 48FT]: | +317.5mm-0 [+12.50in-0] |
| 14.6 - 30.5M [48-100FT]: | +622.3mm-0 [+24.50in-0] |
| OVER 30M [100FT] | +2% OF FINISHED LENGTH |

| | | | | | |
|--|---------------------------------------|---|-------|--|-------------------|
| FUNCTIONAL SYMBOLS | | THIS DRAWING CONTAINS INFORMATION THAT IS PROPRIETARY TO MOLEX ELECTRONIC TECHNOLOGIES, LLC AND SHOULD NOT BE USED WITHOUT WRITTEN PERMISSION | | CURRENT REV DESC: ITEM #8 WAS PVC. VOLTAGE WAS 250V. ADDED O-RING ITEM #9, CABLE DIA & TOL CHART. MODIFIED PN TABLE. | |
| FA=0 | DIMENSION UNITS | INCH/MM | SCALE | NTS | |
| | GENERAL TOLERANCES (UNLESS SPECIFIED) | | mm | INCH | |
| FC=0 | 4 PLACES | ±---- | ±---- | EC NO: 704134 | |
| | 3 PLACES | ±---- | ±---- | DRWN: ABENJAMINLW 2021/06/02 | |
| FP=0 | 2 PLACES | ±---- | ±---- | CHK'D: RSTONE 2022/04/27 | |
| | 1 PLACE | ±---- | ±---- | APPR: BWOODMAN 2022/05/04 | |
| DIVISIONAL SYMBOLS | 0 PLACES | ±---- | ±---- | INITIAL REVISION: | |
| | ANGULAR TOL ± ---- ° | | | DRWN: BWOODMAN 2009/03/13 | |
| DRAFT WHERE APPLICABLE MUST REMAIN WITHIN DIMENSIONS | | THIRD ANGLE PROJECTION | | DRAWING | SERIES |
| | | C-SIZE | | 130028 | MATERIAL NUMBER |
| | | SEE CHART | | GENERAL MARKET | CUSTOMER |
| | | | | PSD 001 | DOC TYPE/DOC PART |
| | | | | E | REVISION |
| | | | | 1 OF 1 | SHEET NUMBER |