



# Mallory Sonalert Products, Inc.

Part #:

**JT120-G-CD**

## Sales Outline Drawing

Revision:

**C**

### Specifications:

Stack Number:	1			
LED Color:	GREEN			
Connection Wires:	Green and Brown			
LED Current Draw:	<190 mA			
Rated Voltage:		120 VAC		
Operating Voltage:		90-120 VAC		
Total Max Current:		<190mA		
Operating Temperature:		-25° ~ +60°C		
Lens Color:		Opaque White		
Material:		ABS FR15U		
Mounting Method:		Direct Mount using 1/2" NPT Stainless Steel Pipe and Nut		
Weight Typical (g):		165		
NEMA 12:		Approved		
Options:		Please contact factory.		

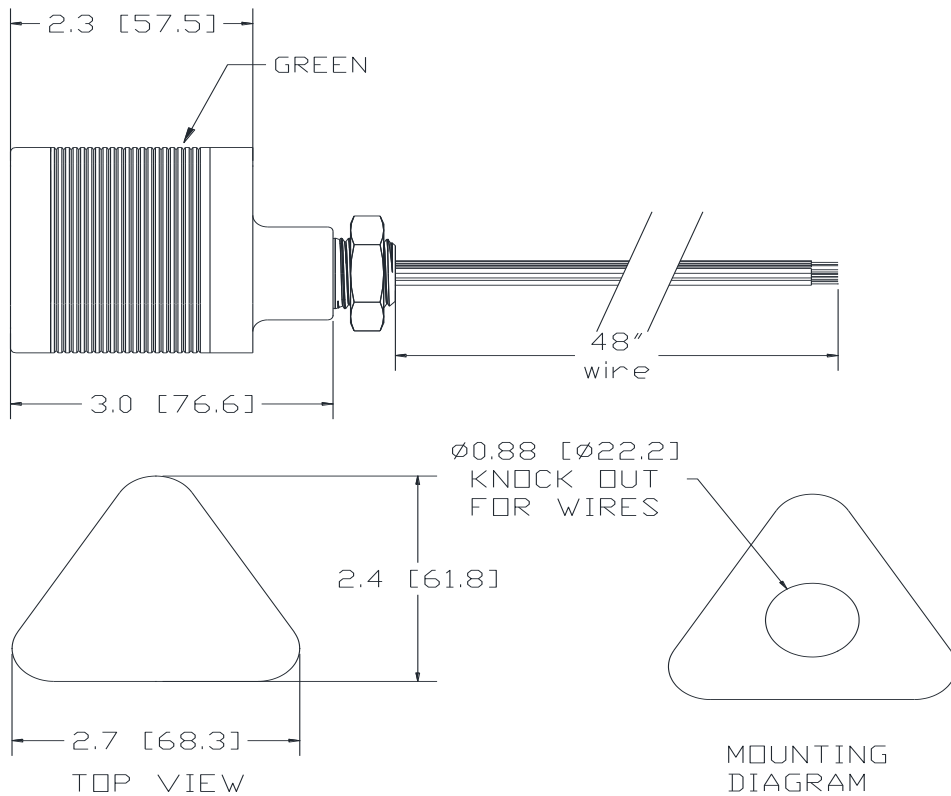
### Dimensions:

Inches (mm)

**cUL Recognized**

**ROHS Compliant**

PATENT NUMBER D898600



**LED OPERATION:** CONNECT STACK COLOR WIRE TO POWER AND BROWN WIRE TO POWER.