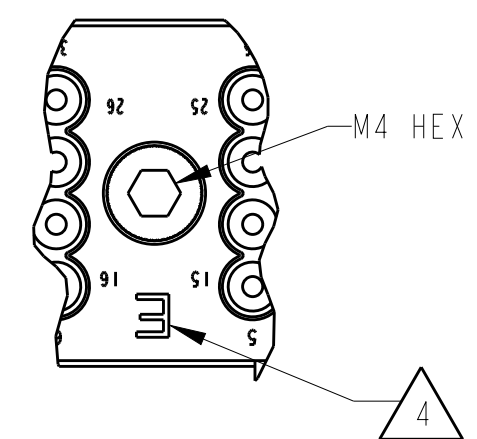
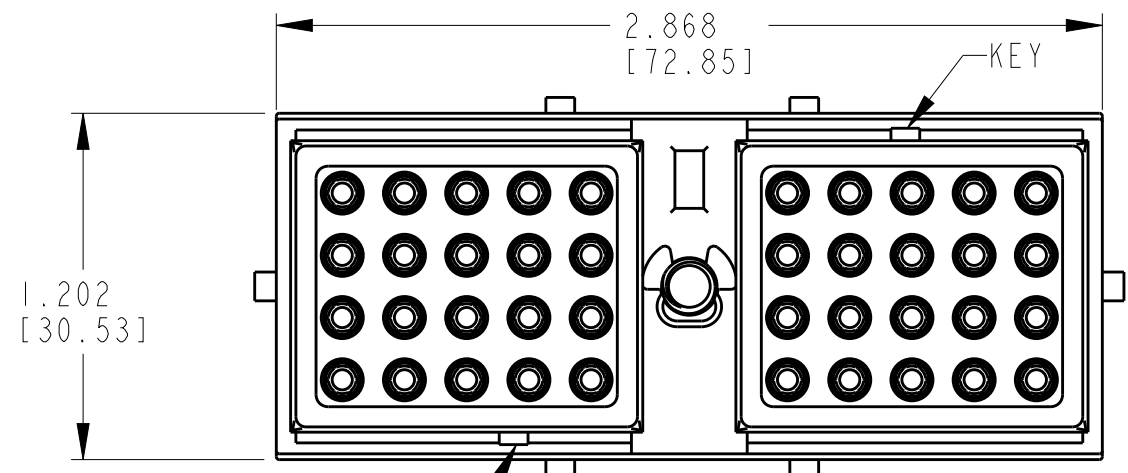


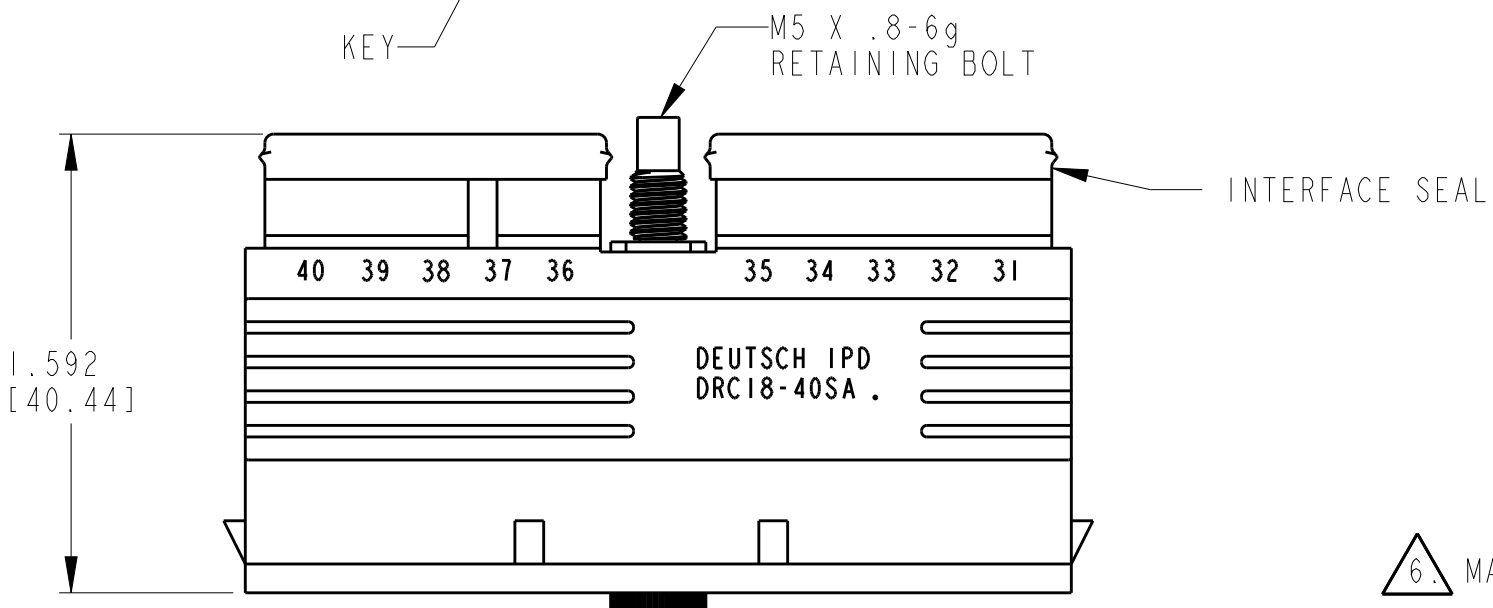
THIS DRAWING IS UNPUBLISHED. RELEASED FOR PUBLICATION 2017
 © COPYRIGHT 2017 BY -TE CONNECTIVITY ALL RIGHTS RESERVED.

| REVISIONS | | | | | |
|-----------|-----|-----------------------------|-----------|-----|------|
| P | LTR | DESCRIPTION | DATE | DWN | APVD |
| | C | REVISED PER PCN E-17-013177 | 13JUN2017 | SS | DM |
| | | | | | |
| | | | | | |

| SEAL TYPE | CONTACT SIZE | MIN. INSUL. OD [mm] | MAX. INSUL. OD [mm] | WIRE RANGE [mm ²] REF ONLY |
|-----------|--------------|---------------------|---------------------|--|
| 4 | | | | |
| NORMAL | 16 | .100 [2.540] | .134 [3.404] | 14-18 AWG [2.0-.75] |
| E | 16 | .053 [1.346] | .120 [3.048] | 14-20 AWG [2.0-0.50] |



TOP VIEW



| | |
|----------------|-------------|
| TE INTERNAL PN | DEUTSCH PN |
| DRC18-40SA | DRC18-40SA |
| DRC18-40SAE | DRC18-40SAE |

6. MATERIAL: PLUG: PPS GF40(BLACK)
 SEAL/GROMMET: VMQ(RED-ORANGE)
 CLIP: STEEL, UNPLATED
 BOLD: STAINLESS STEEL WITH SILVER PLATING AN MAY TARNISH.

5. MATING TORQUE REQUIREMENT: 25-28 IN-LB [2.82-3.16 Nm].


4. WHEN X = E: MARK LETTER "E" STAMPING IDENTIFIES "E" SEAL.
 WHEN X = BLANK: IDENTIFIES "NORMAL" WIRE SEAL (NOT SHOWN).

3. THIS PLUG MATES WITH DRC12-40PAX-XXXX;DRC13-40PA-XXXX;
 DRC14-40PAX-XXXX (XXXX=ALL MODIFICATIONS).
 CONSULT FACTORY FOR MODS.

2. FOR CONTACTS AND WIRE PERFORMANCE AND APPLICATION
 CHARACTERISTICS, SEE ENVELOPE DRAWING 0425-015-0000.

1. PLUG IS SUPPLIED WITH DUST CAP, 0515-001-4005 (NOT SHOWN).

NOTES:

| | | | | | | |
|---|--|--------------------------|---|-----------------|-------------------------|-----------------|
| THIS DRAWING IS A CONTROLLED DOCUMENT. | | DWN J. APOSTOL 13JUL2000 |  TE Connectivity | | | |
| DIMENSIONS: INCHES [mm] | | CHK D. MEYER 21JUL2000 | | | | |
| TOLERANCES UNLESS OTHERWISE SPECIFIED: | | APVD R. REED 21JUL2000 | | | | |
| 0 PLC ± 1 PLC ± 2 PLC ± 3 PLC ±.025 [.635] 4 PLC ± ANGLES ±0°30'0" | | PRODUCT SPEC - | | | | |
| MATERIAL 6 | | FINISH - | NAME PLUG KEY ARRANGEMENT -A- SERVICEABLE CONTACTS DRC 40 SERIES | | | |
| | | WEIGHT - | SIZE A3 | CAGE CODE 4AFU8 | DRAWING NO. DRC18-40SAX | RESTRICTED TO - |
| | | CUSTOMER DRAWING | SCALE 1.5:1 | SHEET 1 OF 1 | REV C | |