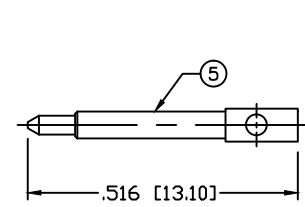
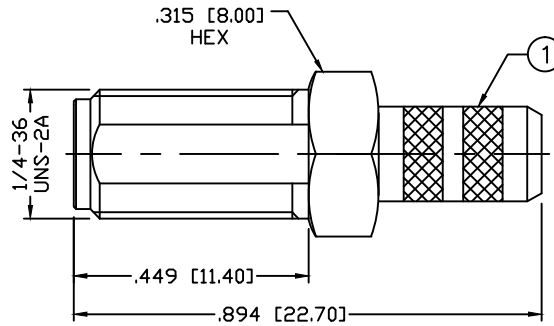
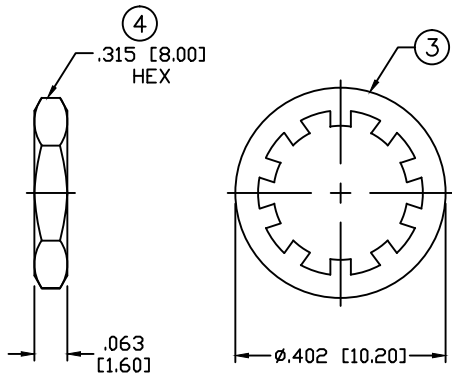


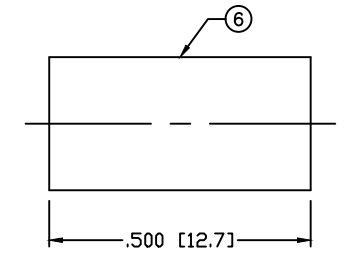
THIS DRAWING CONTAINS INFORMATION PROPRIETARY TO RF INDUSTRIES.
 ANY UNAUTHORIZED USE OF THIS DRAWING IS EXPRESSLY PROHIBITED
 WITHOUT WRITTEN PERMISSION FROM RF INDUSTRIES.
 ANY VIOLATION IS PUNISHABLE UNDER U.S. COPYRIGHT LAWS.

ALL DIMENSIONS ARE REFERENCE ONLY

PART NO.		RP-3252-1C2		
REV	DESCRIPTION	DWN	DATE	APPROVED
-	ENGINEERING RELEASE	CZS	06/21/13	JDMc



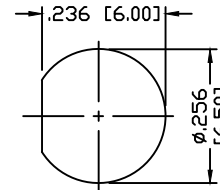
RECOMMENDED SOLDER ONLY



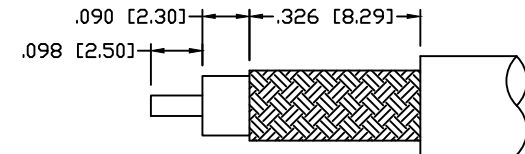
RECOMMENDED CRIMP DIE .213"

SPECIFICATIONS:

IMPEDANCE: 50 Ohms
 FREQUENCY RANGE: 0-12.4 GHz
 INSERTION LOSS(dB): $0.03 \times \sqrt{f(\text{GHz})}$
 WORKING VOLTAGE: 500 V rms Max. @ Sea Level
 INSULATION RESISTANCE: 5k M Ohms min.
 TEMPERATURE RANGE: -65°C TO 165°C
 FOR TIMES LMR-200, ALPHA 9848 & MSI-22



RECOMMENDED MOUNTING HOLE



RECOMMENDED STRIPPING DIMENSIONS

1	BODY	1	BRASS	GOLD, 3 μ"
2	INSULATOR	1	PTFE	---
3	LOCK WASHER	1	BRASS	GOLD, 3 μ"
4	HEX NUT	1	BRASS	GOLD, 3 μ"
5	PIN	1	BRASS	GOLD, 3 μ"
6	FERRULE	1	BRASS	GOLD, 3 μ"
7				
8				
9				
10				
11				
12				
13				
14				
#	DESCRIPTION	QTY	MATERIAL	FINISH

000000	
DRAWN	06/21/13
C. ZUNIGA	
CHECKED	
ORJ DRAWN	06/21/13
C. ZUNIGA	
APPROVALS	DATE

UNLESS OTHERWISE SPECIFIED:

DIMENSIONS ARE IN INCHES AND [MILLIMETERS]
 UNLESS OTHERWISE NOTED TOLERANCES ARE:

DECIMALS	DIAMETER
.xxx±.003 [.08]	.xxx±.001 [.03]
.xx±.005 [.13]	.xx±.003 [.08]

RF

connectors

DIVISION OF RF INDUSTRIES, LTD.

7610 MIRAMAR RD
 SAN DIEGO, CA 92126
 (858) 549-6340
 (858) 549-6345 FAX

SMA JACK, CRIMP

REVERSE POLARITY, BULKHEAD

SIZE	CABLE GROUP	DWG NO.	REV
A	C2	RP-3252-1C2	-

SCALE: NTS

CAD FILE OUTLINE

SHEET 1 OF 1