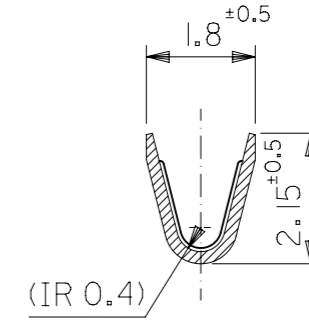
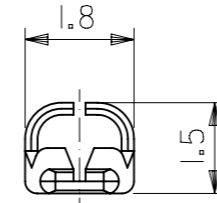
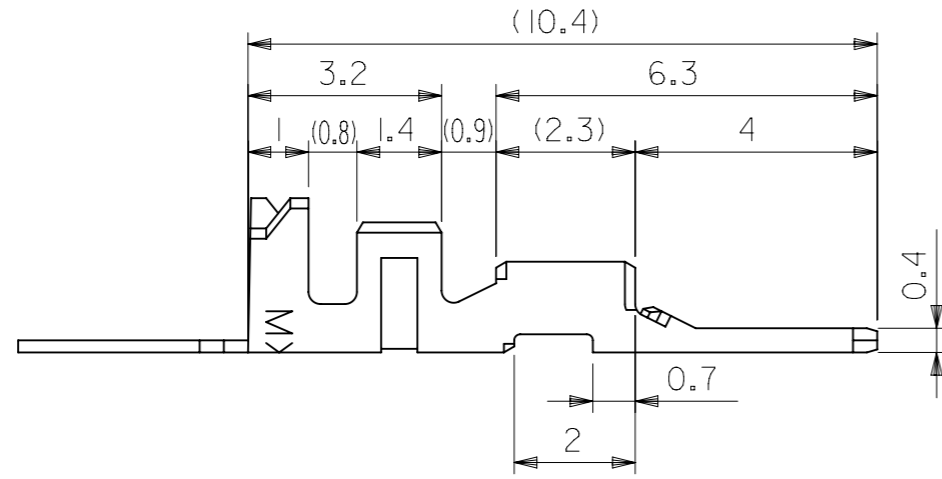


断面 A-A
SECT.A-A

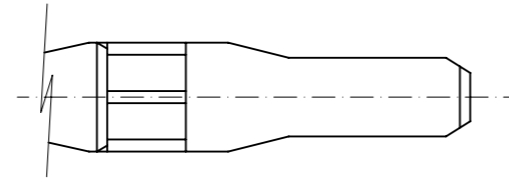


断面 B-B
SECT.B-B



注記
NOTICE

1. 適合ハウジングアッセンブリ:
52116-02**
52116-03**
52116-04**
1. APPLICABLE HOUSING ASSEMBLY:
52116-02**
52116-03**
52116-04**
2. 嵌合相手: 50039-8*00
2. MATE: 50039-8*00



50038-8100	バラ状 LOOSE
50038-8000	連鎖状 CHAIN
MATERIAL NO.	形状 FORM

材料 MATERIAL	リン青銅 錫メッキ (+0.2) PHOSPHOR BRONZE TIN PLATING(+0.2)
適用電線範囲 WIRE RANGE	AVS-0.3/0.3F AVSS-0.3/0.3F AVSS-0.5/0.5F CAVS-0.3 CAVS-0.5 ISO-0.5 AWG #22/#20
被覆外径 INS. RANGE	φ1.4-1.9
DOCUMENT STATUS	P1
RELEASE DATE	2019/12/20 08:34:20

INITIAL REVISION:

DRWN	M.ASAOKA	1996/06/10
CHECK	M.SAKANO	1996/06/10
APPR	M.ENOMOTO	2012/02/03

GENERAL TOLERANCES
(UNLESS SPECIFIED)

10 UNDER	±0.2
10 OVER 30 UNDER	±0.25
30 OVER	±0.3
ANGULAR ±3°	

THIS DRAWING CONTAINS INFORMATION THAT IS PROPRIETARY TO MOLEX ELECTRONIC TECHNOLOGIES, LLC AND SHOULD NOT BE USED WITHOUT WRITTEN PERMISSION	
DIMENSION UNITS mm	SCALE 8:1
CURRENT REV DESC:	
GENERAL TOLERANCES (UNLESS SPECIFIED)	
ANGULAR TOL	± 3.0°
4 PLACES	± 0.2
3 PLACES	± 0.25
2 PLACES	± 0.3
1 PLACE	±
0 PLACES	±
DRAFT WHERE APPLICABLE MUST REMAIN WITHIN DIMENSIONS	
THIRD ANGLE PROJECTION	DRAWING
SERIES	50038
EC NO: 629483	
DRWN: MSATO08	2019/12/18
CHK'D: HIJIMA	2019/12/20
APPR: TOSADA	2019/12/20
INITIAL REVISION:	
DRWN: SINAOKA	2012/02/02
APPR: MAYAMAMOTO	2012/02/03
molex	
2.5 WATERPROOF CONN CRIMP PIN	
PRODUCT CUSTOMER DRAWING	
DOCUMENT NUMBER	DOC TYPE DOC PART REVISION
SD-50038-001	PSD 001 E2
MATERIAL NUMBER	CUSTOMER
SEE CHART	GENERAL MARKET
SHEET NUMBER	
1 OF 1	