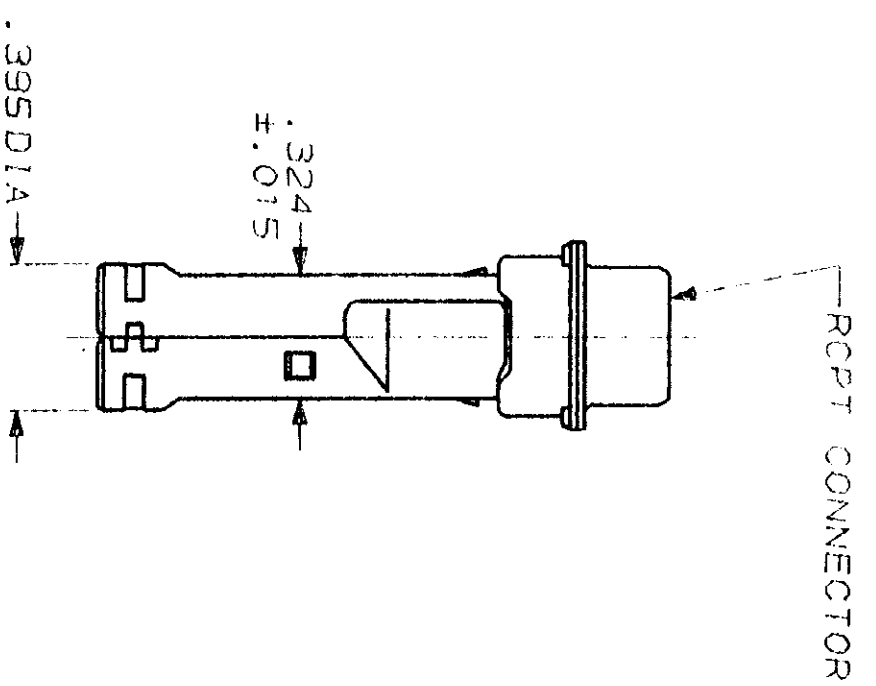
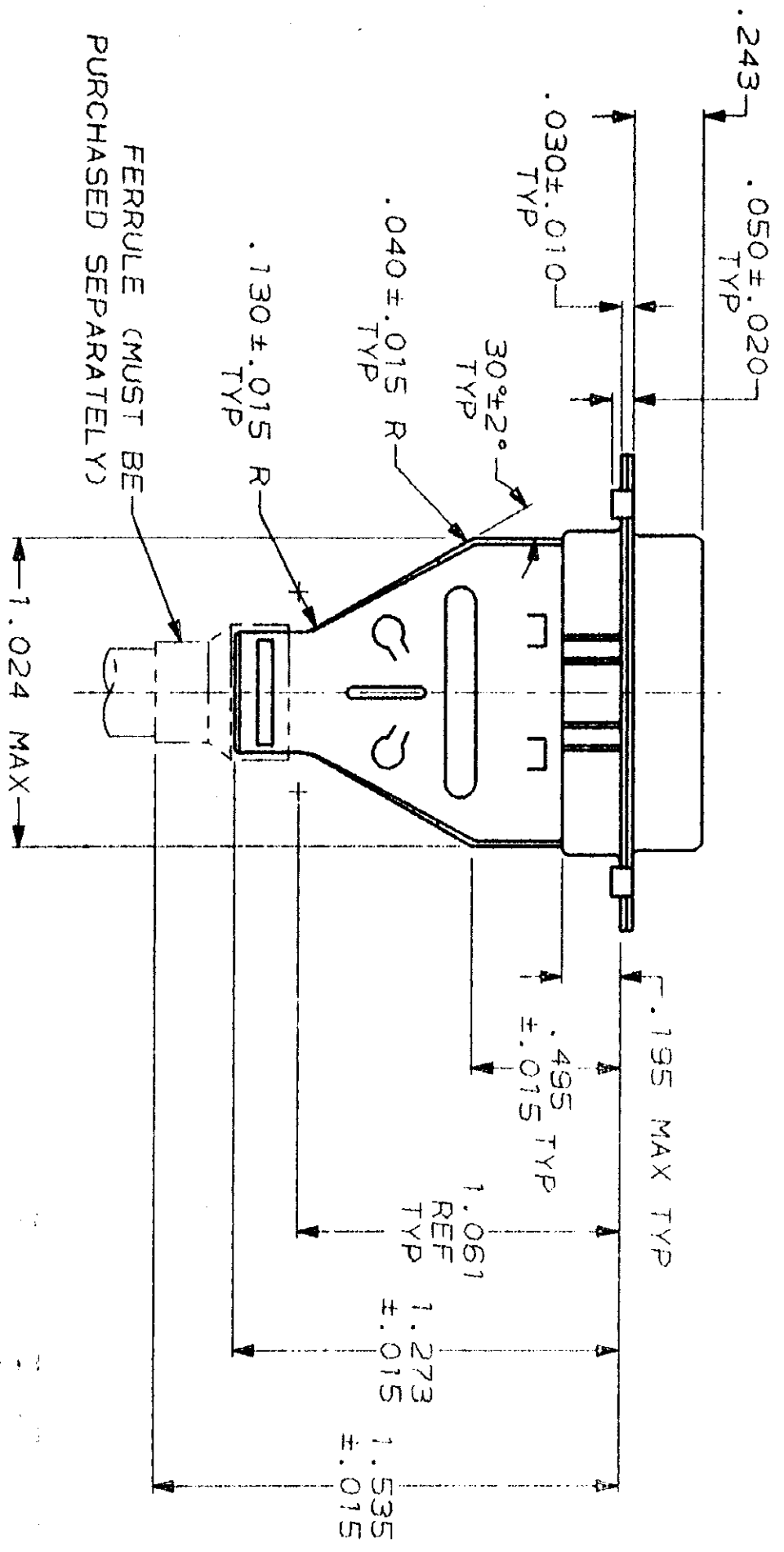
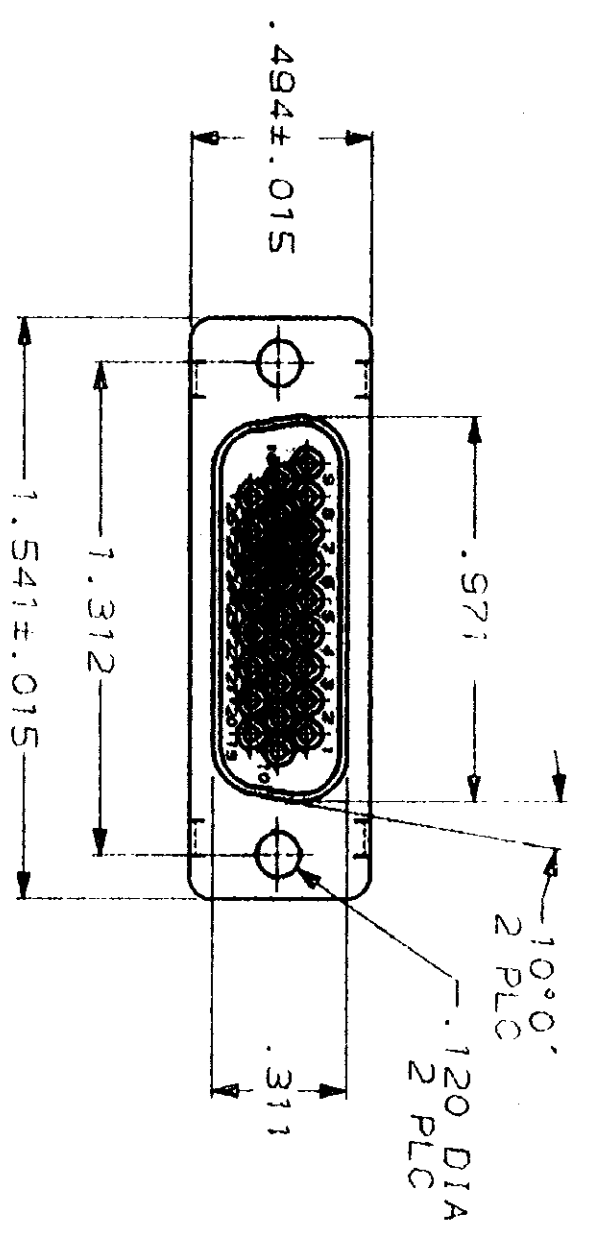


REV	NO	DATE	APPD
2	BD 39	7-3-91	

REV	NO	DATE	APPD
1			

REV	NO	DATE	APPD
1			



1. RCPT ACCEPTS SIZE 22 DF SOCKET CONTACTS (CONTACTS MUST BE ORDERED SEPARATELY).
2. ALL PARTS SHIPPED UNASSEMBLED, EACH PART INDIVIDUALLY BULK PACKED.
3. FLAME RETARDANT 94V-0 RATED, GLASS FILLED NYLON, BLACK.

748635-1
 PART NUMBER

DO NOT SCALE PRINT. UNLESS SPECIFIED DIMENSIONS IN INCHES TOLERANCES ON:		DR 7-3-91	NAME
1. DIMENSIONS	± .005	R. SHIREY	AMP INCORPORATED
2. PLG DEC	± .005	8-2-91	AMP INCORPORATED
3. PLG DEC	± .005		AMP INCORPORATED
ANGLES	± 0°30'		AMP INCORPORATED
MATERIAL	HOUSING: PER ASTM A109		AMP INCORPORATED
FINISH	SHELLS & SHIELDS: TIN PLATED PER MIL-T-10727		AMP INCORPORATED
APPL	APPLICATION SPEC		AMP INCORPORATED
SCALE	2:1		AMP INCORPORATED
SIZE	FSCM NO 00779		AMP INCORPORATED
WEIGHT			AMP INCORPORATED

CUSTOMER DRAWING