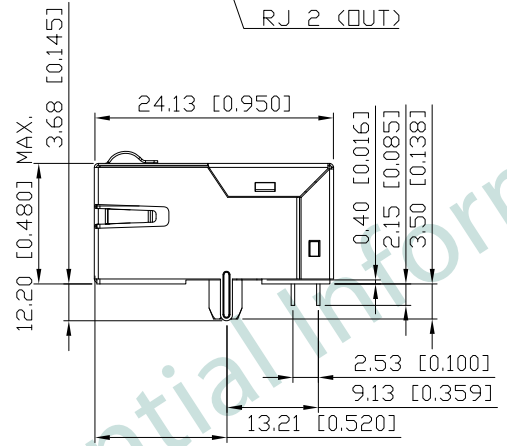
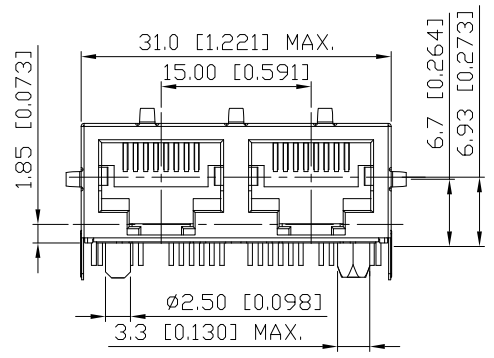
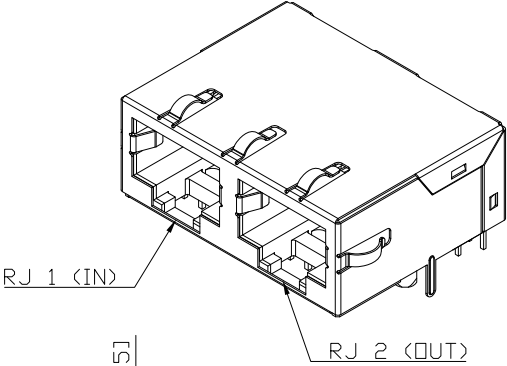
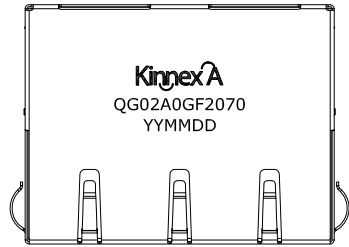
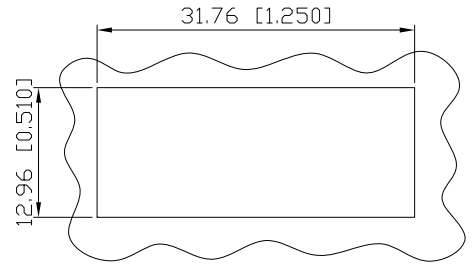
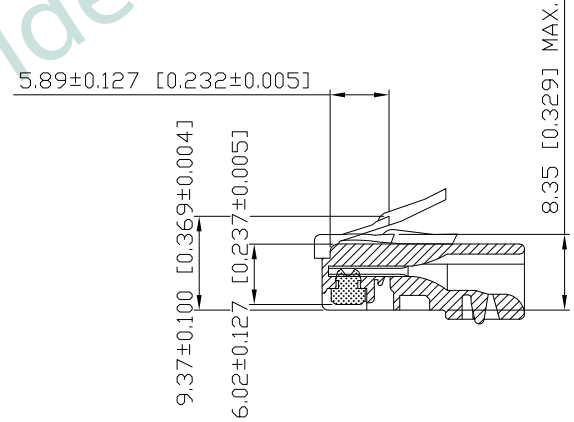
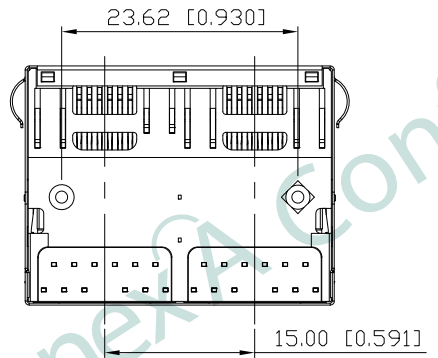


1. MECHANICAL DIMENSIONS :

REV.	DATE	DESCRIPTION
01	Jan. 15, '18	1st RELEASE



RECOMMENDED PLUG DIMENSION:



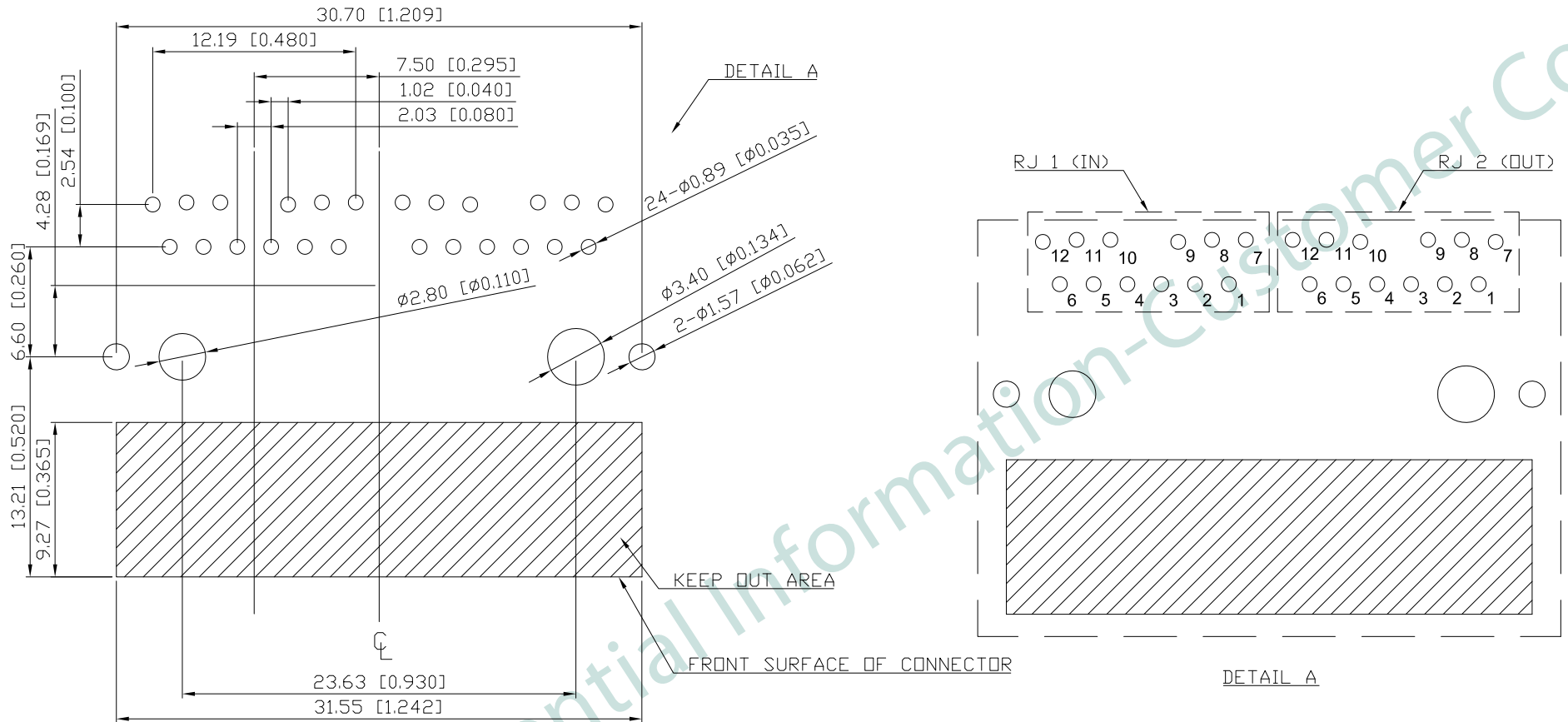
RECOMMENDED PANEL CUTOUT DIMENSION

- NOTES:
- MATERIAL:  
HOUSING: HIGH THERMOPLASTIC, UL94V-0, BLACK  
CONTACTS: T=0.30mm PHOS-BRONZE,  
30u" GOLD PLATING ON CONTACT AREA,  
NICKEL UNDERPLATING ON ALL AREA  
SOLDER PIN: T=0.30\*0.40mm COPPER, NICKEL PLATING,  
TIN PLATING ON ALL AREA  
SHIELD: T=0.20mm COPPER ALLOY, NICKEL PLATING
  - OPERATING TEMPERATURE: -40°C~+85°C
  - INSERTION FORCE: 4 POUNDS MAX.  
EXTRACTION FORCE: 4 POUNDS MAX.
  - DURABILITY: 750 MATING CYCLED MIN.
  - CAVITY CONFORMS TO FCC RULES AND REGULATIONS PART 68,  
SUBPART F.
  - UNSPECIFIED TOLERANCE: .XX ±0.25[0.010]  
.X ±0.30[0.012]

PART NO		KQG-02A-0-GF2-070		
TITLE	RJ45 1X2, W/2.5G TRANSFORMER AND PoE+, W/D LED, SHIELDED			
REV : 01				
UNIT	DRAWN	CHKD	DATE	SHEET
mm[inch]	CINDY	DANIEL	Jan. 15, '18	1 of 5

ROHS Compliant

2. PCB LAYOUT :



SUGGESTED PCB LAYOUT  
(TOP VIEW) SCALE:2:1  
DIMENSIONAL TOLERANCE: .XX ±0.08[0.003]

KQG-02A-0-GF2-070

PRODUCT SERIES  
KQG: LATCH DOWN, PoE+ TYPE

MECHANICAL TYPE  
02A: 2 PORT FOR KQG,  
HEIGHT=12.20mm, LENGTH=24.13mm,  
STRAIGHT PINS, PIN=3.30mm

LED COLOR OPTION

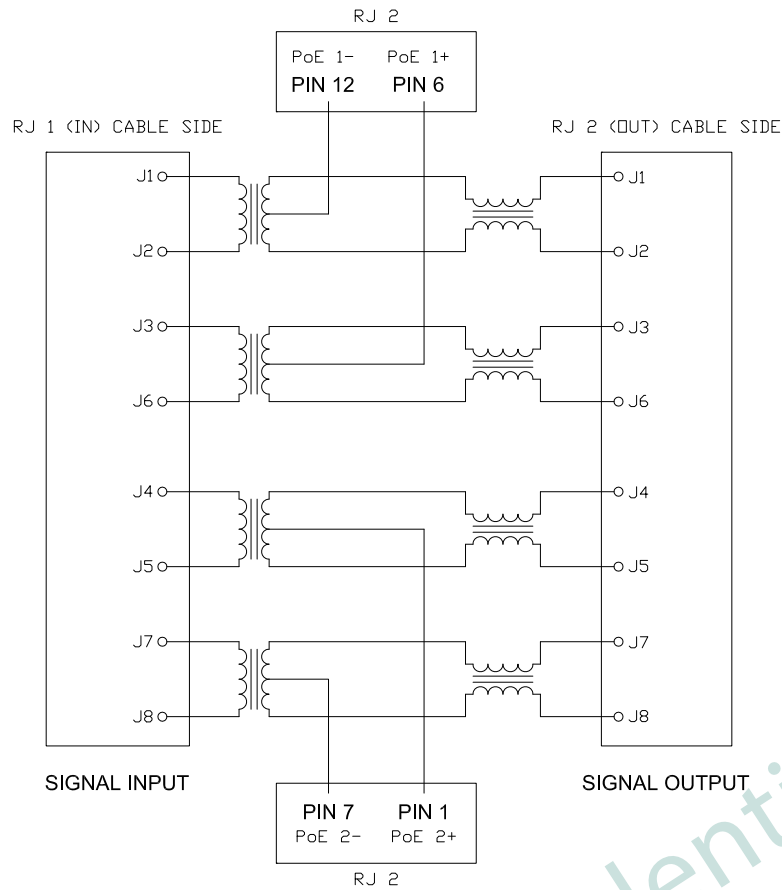
CIRCUIT TYPE

SPECIAL CODE  
0: STANDARD  
SHIELDED TYPE  
7: EMI FINGER ON ALL SIDE

LED POLARITY  
0: W/O LED

PART NO		KQG-02A-0-GF2-070		
TITLE	RJ45 1X2, W/2.5G TRANSFORMER AND PoE+, W/O LED, SHIELDED			
REV : 01				
UNIT	DRAWN	CHKD	DATE	SHEET
mm[inch]	CINDY	DANIEL	Jan. 15, '18	2 of 5

3. SCHEMATIC :



4. ELECTRICAL CHARACTERISTICS :

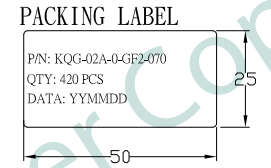
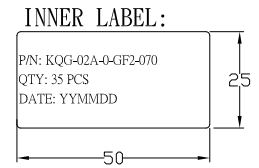
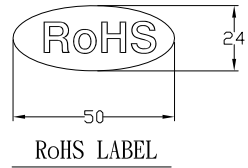
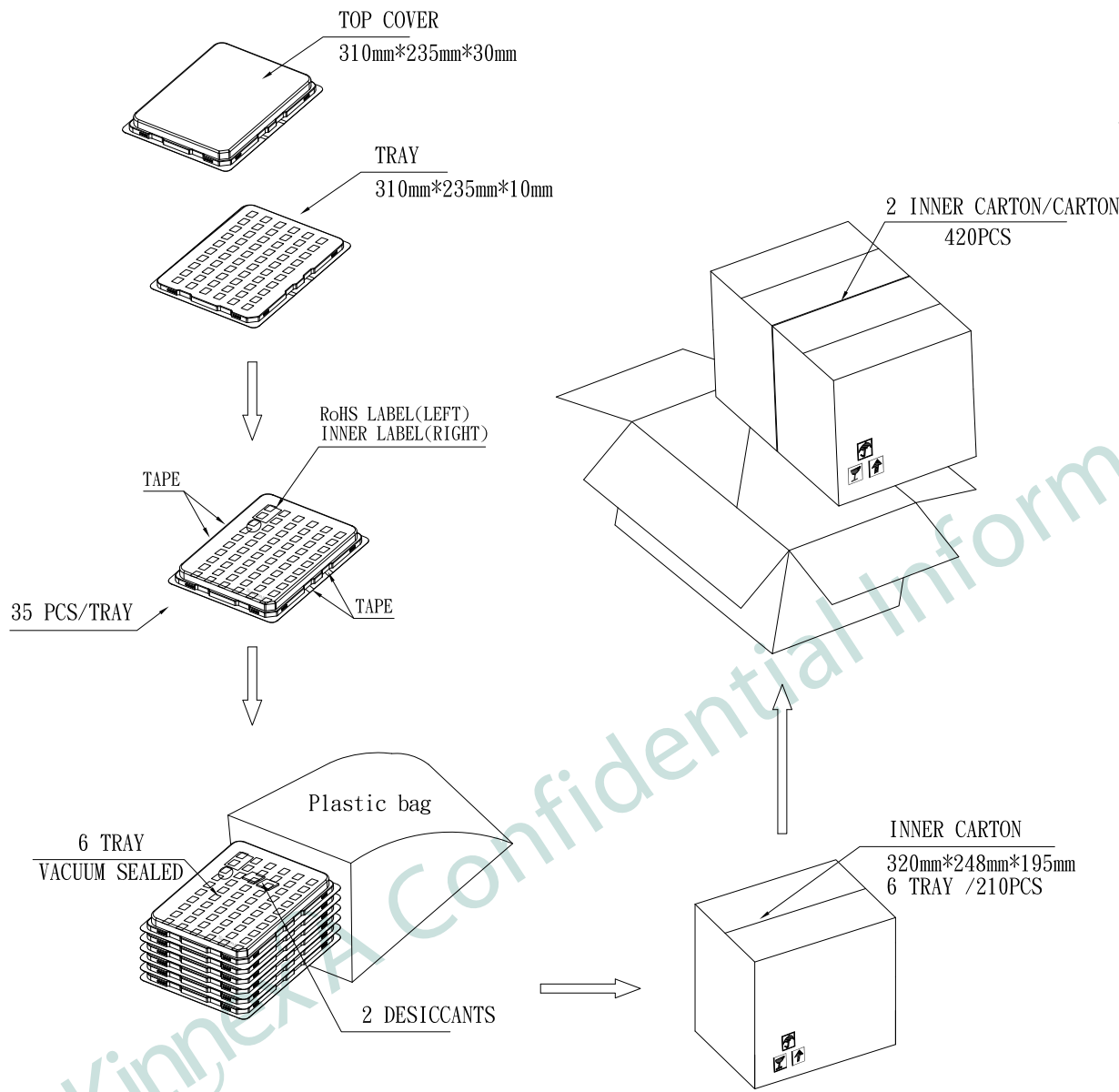
TEST NOTES:(25±5°C)

1.  $\square$ CL<100KHz,100mV>  
180uH MINIMUM
- 2.HIPOT:  
INPUT TO OUTPUT PIN: 1500 VAC/60SEC
- 3.INSERTION LOSS:  
-0.5dB MAXIMUM AT 1MHz TO 50MHz  
-1.0dB MAXIMUM AT 50MHz TO 125MHz
- 4.RETURN LOSS:  
-20dB MINIMUM AT 1MHz TO 40MHz  
-14dB MINIMUM AT 40MHz TO 100MHz  
-9.5dB MINIMUM AT 100MHz TO 200MHz
- 5.CROSS TALK:  
-35dB MINIMUM AT 1MHz TO 40MHz  
-27.5dB MINIMUM AT 40MHz TO 125MHz
- 6.COMMON TO COMMON MODE REJECTION:  
-30dB MINIMUM AT 30MHz TO 200MHz
- 7.CM TO DM REJECTION  
-35dB MINIMUM AT 1MHz TO 125MHz
- 8.WORKING CURRENT FOR PoE+: 720mA DC MAX

PART NO		KQG-02A-0-GF2-070		
TITLE	RJ45 1X2, W/2.5G TRANSFORMER AND PoE+, W/O LED, SHIELDED			
REV : 01				
UNIT	DRAWN	CHKD	DATE	SHEET
mm[inch]	CINDY	DANIEL	Jan. 15, '18	3 of 5

5. PACKING SPECIFICATION:

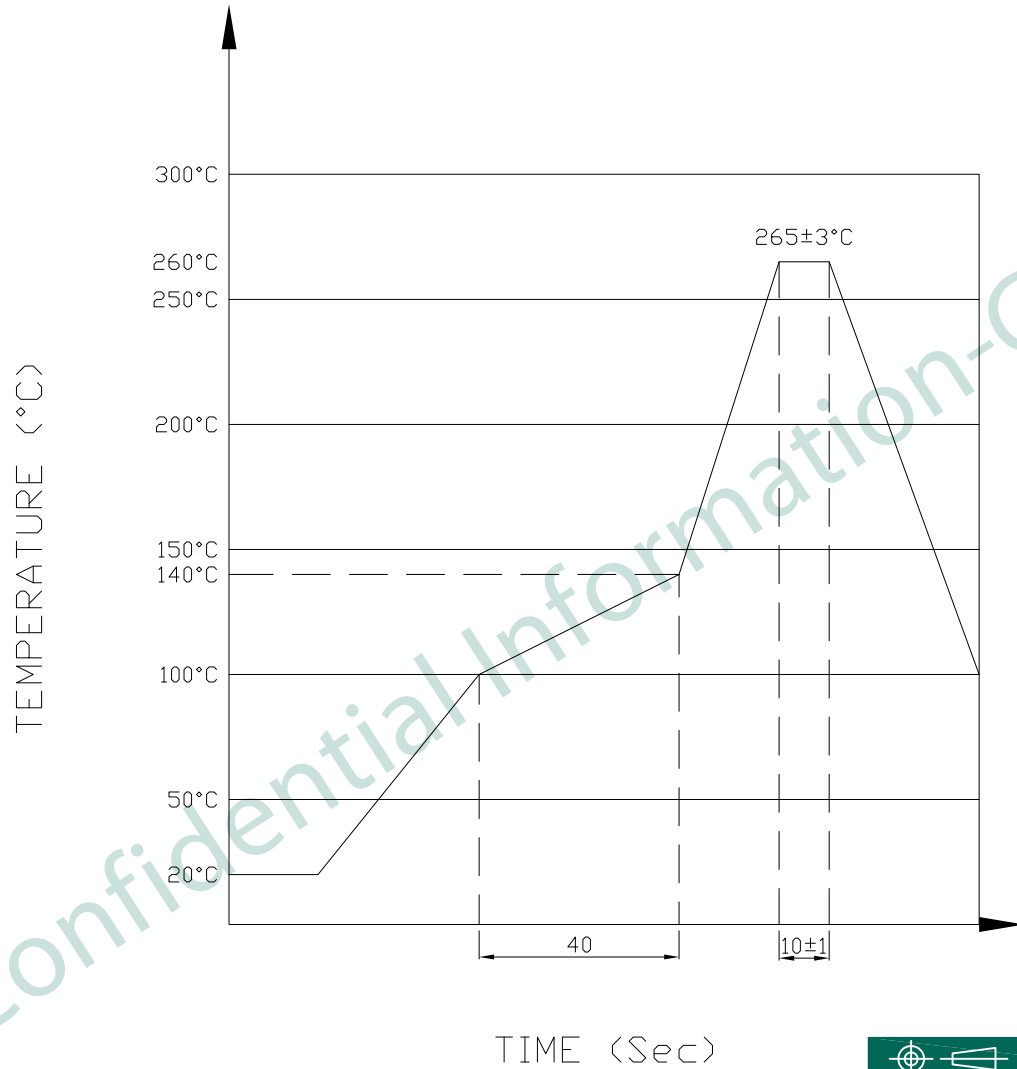
A  
B  
C  
D  
E  
F



PART NO		KQG-02A-0-GF2-070		
TITLE	RJ45 1X2, W/2.5G TRANSFORMER AND PoE+, W/D LED, SHIELDED			
REV : 01				
UNIT	DRAWN	CHKD	DATE	SHEET
mm[inch]	CINDY	DANIEL	Jan. 15, '18	4 of 5

RoHS Compliant

6. PROFILE OF WAVE SOLDER :



The measuring point for the specified temperature shall be on the soldered part of the lead

PART NO KQG-02A-0-GF2-070				
TITLE	RJ45 1X2, W/2.5G TRANSFORMER AND PoE+, W/O LED, SHIELDED			
REV : 01				
UNIT	DRAWN	CHKD	DATE	SHEET
mm[inch]	CINDY	DANIEL	Jan. 15, '18	5 of 5