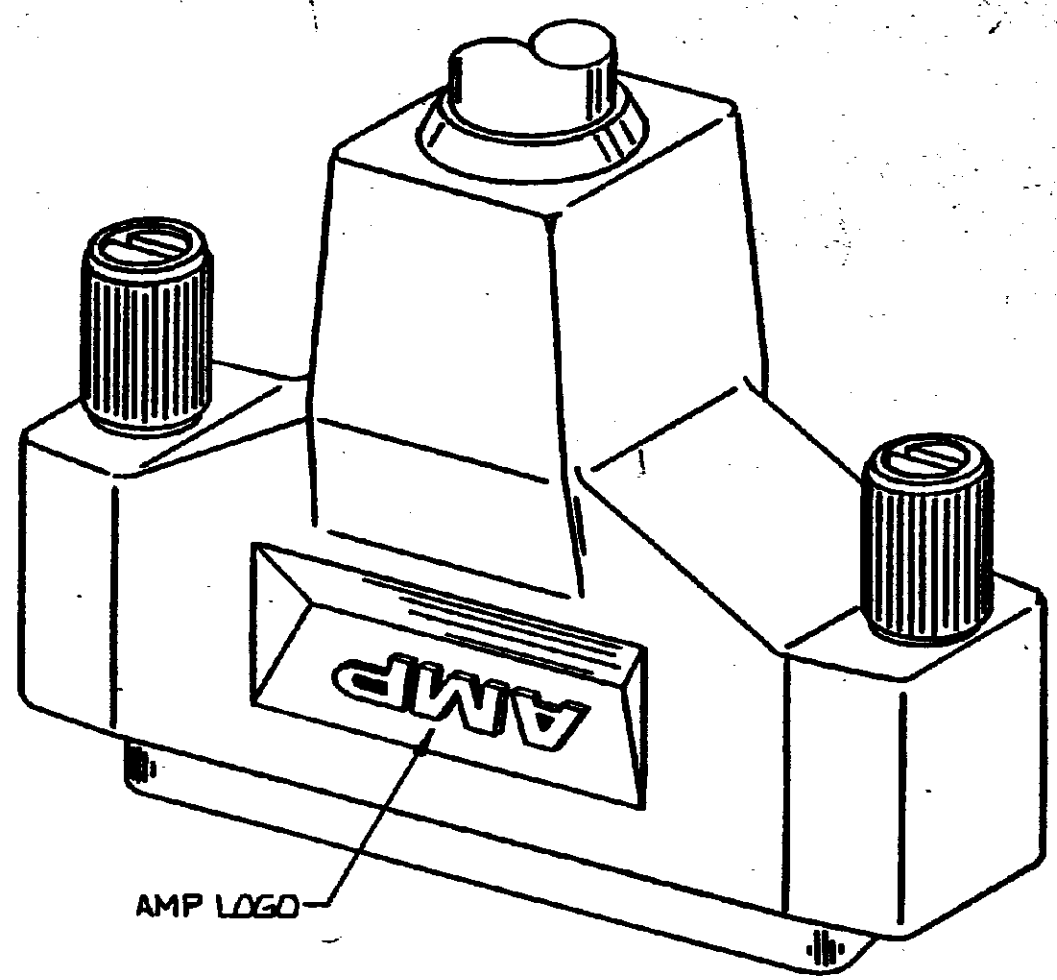
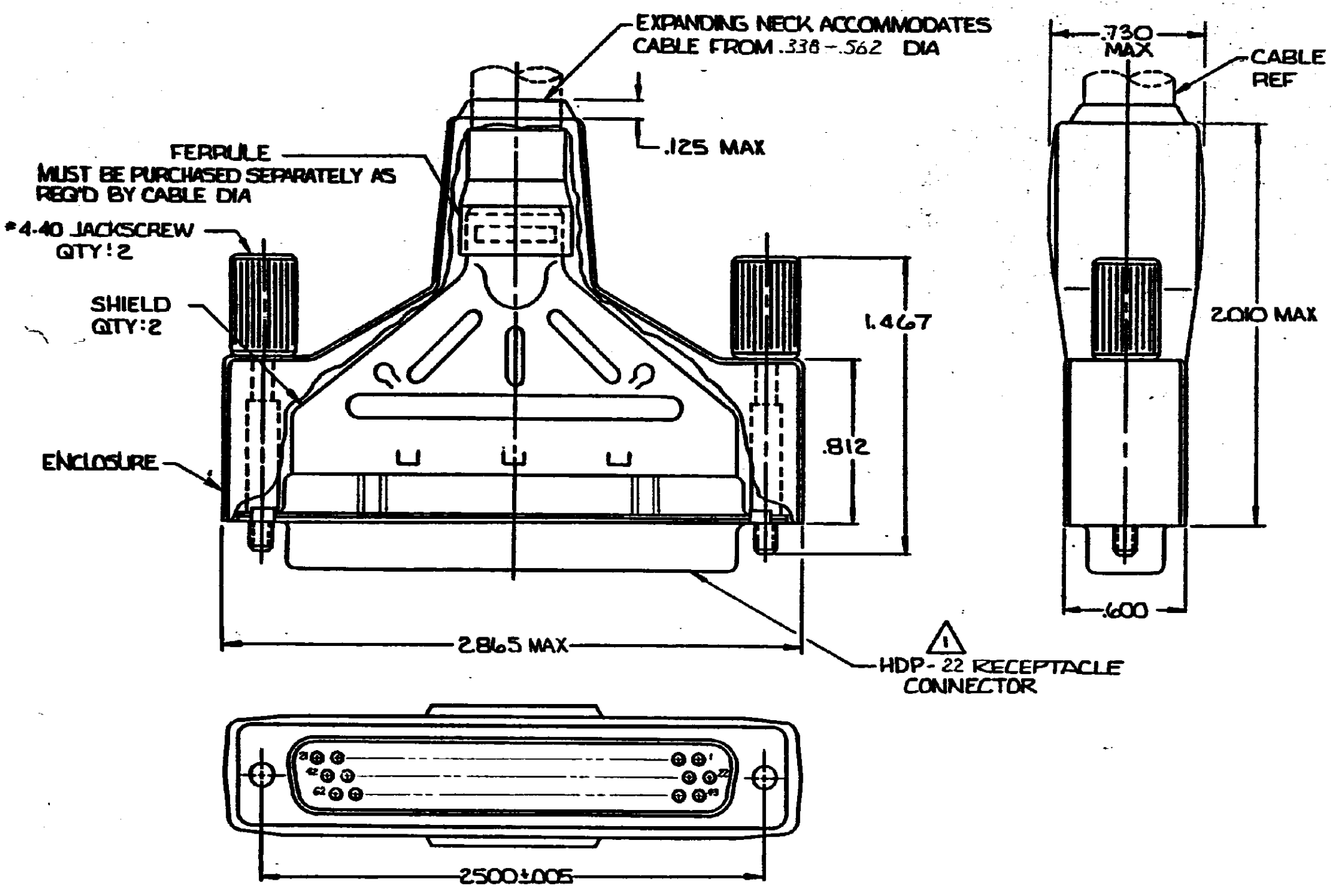


DRAWING MADE IN THIRD ANGLE PROJECTION

THIS DRAWING IS UNPUBLISHED. RELEASED FOR PUBLICATION
 © COPYRIGHT 19 BY AMP INCORPORATED, HARRISBURG, PA. ALL INTERNATIONAL RIGHTS RESERVED. AMP PRODUCTS MAY BE COVERED BY U.S. AND FOREIGN PATENTS AND/OR PATENTS PENDING.

REVISED		DATE		APPROVED	
P	F	ZONE	DESCRIPTION	DATE	APPROVED
0	✓	D	RELEASED		
1	✓	A	REVISED - ECN BD2607	11-30-88	Reo
2	✓	B	REV PER ECN BD2328	2-17-89	Reo
3	✓	C	REV PER ECN BD 4493	1-3-91	
4	✓	D	REVISED PER ECN BD6133	4-6-92	TMS



- 1 RECEPTACLE ACCEPTS SIZE 22 DF SOCKET CONTACTS. CONTACTS MUST BE PURCHASED SEPARATELY.
- 2. ALL PARTS SHIPPED UNASSEMBLED.
- 3 FLAME RETARDANT 94V-0 RATED, STYRENE POLYOLEFIN OR PVC, COLOR: BLACK.
- 4 FLAME RETARDANT 94V-0 RATED GLASS FILLED, NYLON OR POLYESTER, COLOR: BLACK.
- 5 STEEL PER ASTM A109.
- 6 TIN PLATING PER MIL-T-10727.
- 7 ZINC PLATING PER ASTM B633, TYPE II, CLASS SCI, BLACK CHROMATE.
- 8 COMPONENTS INDIVIDUALLY BULK PACKED.

UNLESS OTHERWISE SPECIFIED DIMENSIONS ARE IN INCHES. TOLERANCES ON: DECIMALS ± .020 ANGLES		CONTRACT NO		AMP INCORPORATED Harrisburg, Pa. 17105	
MATERIAL INSERT: ENCLOSURE		DR W.G. Lonker 2-24-88		NAME	
SHELLS & SHIELDS: JACKSCREWS: ZINC ALLOY		CHK C. Hickman 3-1-88		SHIELDING ENCLOSURE KIT, RECEPTACLE, SIZE 4, G2 POSITION, AMPLIMITE® HDP-22	
FINISH SHELLS & SHIELDS: JACKSCREWS:		ARPD D. Newby 3-1-88		DRAWING NO	
		APPD V. Kumar 3/1/88		C 00779 748642	
		OSGN APPD		SCALE 2:1	
		OTHER APPD		SHEET 1 OF 1	

CUSTOMER DRAWING

748642