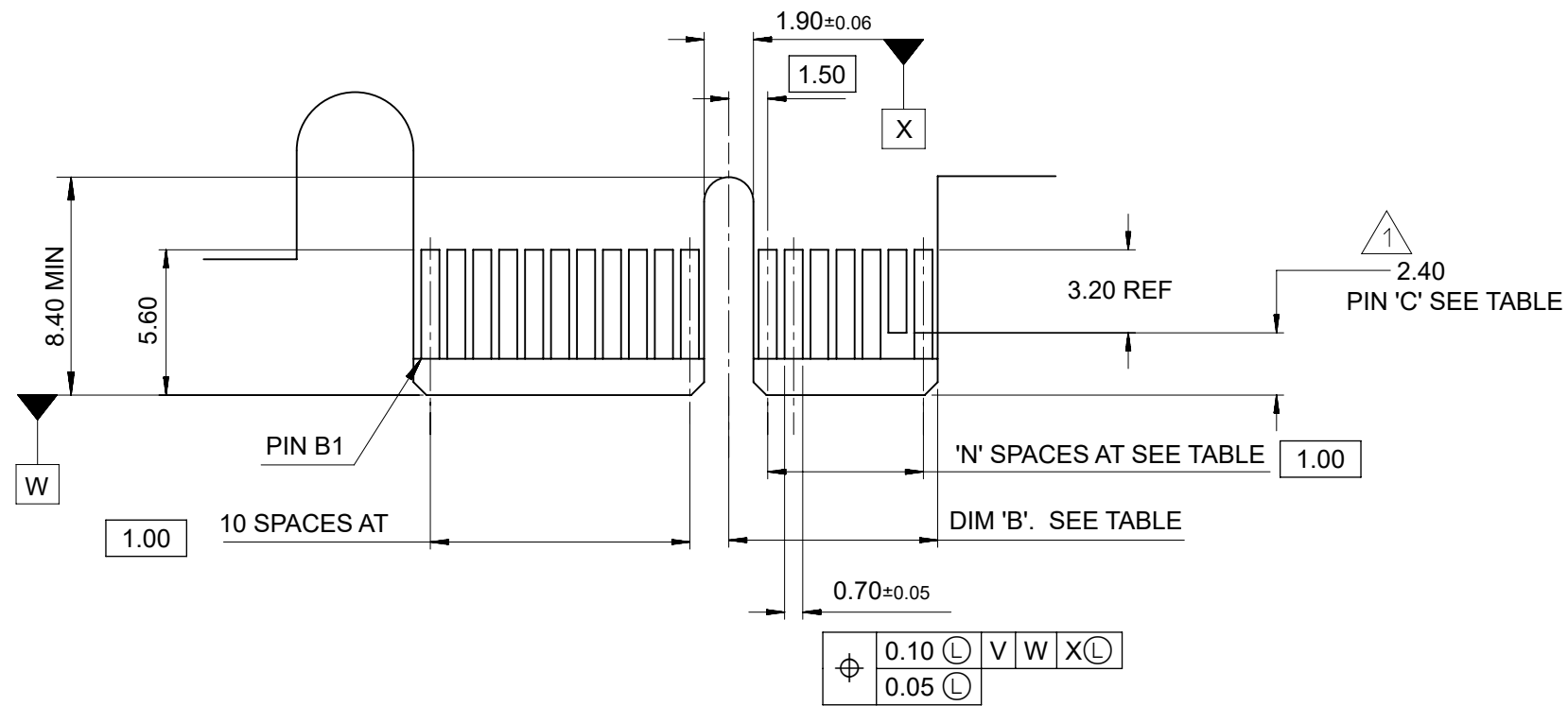


△ THE HORIZONTAL AXIS FOR THE HOLE PATTERN IS ESTABLISHED BY A LINE THROUGH THE CENTER OF THE TWO $\varnothing 2.35$ HOLES. THE VERTICAL AXIS IS 90° TO THE HORIZONTAL AXIS. THROUGH THE CENTER OF DATUM Z

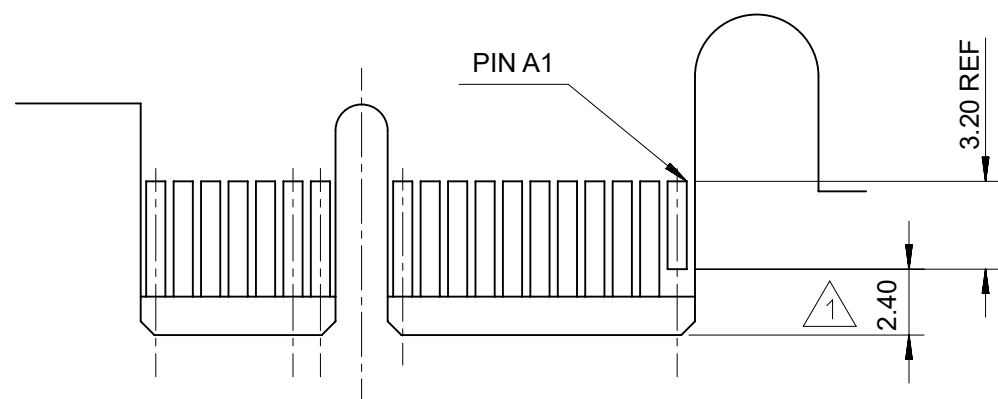
CONNECTOR LINK WIDTH	# POS REF	N	DIM 'A'
X1	36	6	9.15
X16	164	70	73.15

THIS DRAWING CONTAINS INFORMATION THAT IS PROPRIETARY TO MOLEX ELECTRONIC TECHNOLOGIES, LLC AND SHOULD NOT BE USED WITHOUT WRITTEN PERMISSION											
DIMENSION UNITS mm		SCALE NTS		CURRENT REV DESC: OBSOLETE PART NUMBERS AS PER PCN 508518				molex		PCI EXPRESS EDGE CARD CONNECTOR (LEAD FREE VERSION)	
GENERAL TOLERANCES (UNLESS SPECIFIED)				EC NO: 671087							
				4 PLACES ±		±		DRWN: RPRABHUM		2021/06/07	
				3 PLACES ±		±		CHK'D: GGA		2021/08/06	
				2 PLACES ± 0.25		±		APPR: GGA		2021/08/06	
				1 PLACE ± 0.25		±		INITIAL REVISION:		DOCUMENT NUMBER	
				0 PLACES ±		±		DRWN: DAVID HU		SD-87715-901	
				ANGULAR TOL ± 3.0°		± 3.0°		APPR: JENNY CHEN		PSD 001 G	
DRAFT WHERE APPLICABLE MUST REMAIN WITHIN DIMENSIONS		THIRD ANGLE PROJECTION		DRAWING		SERIES		MATERIAL NUMBER		CUSTOMER	
				A3-SIZE		87715		SEE TABLE		GENERAL MARKET	
										SHEET NUMBER 2 OF 4	



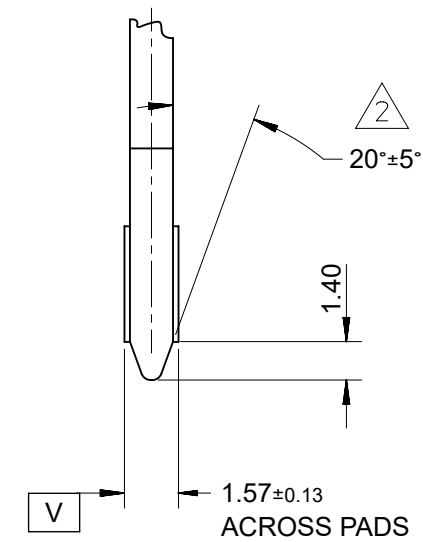
← I/O PANEL DIRECTION

PRIMARY (COMPONENT) SIDE



I/O PANEL DIRECTION →

SECONDARY (SOLDER) SIDE



1 NO TIE BAR PERMITTED FROM CARD EDGE TO LEADING EDGE OF PAD FOR PINS A1 AND "C".

2 CHAMFER EDGES MUST BE FREE OF CUTTING BURRS.

3 TOLERANCE: .XX±.13

CONNECTOR LINK WIDTH	# POS REF	N	DIM 'B'	'C' 1
X1	36	6	8.15	B17
X16	164	70	72.15	B17, B31 B48, B81

THIS DRAWING CONTAINS INFORMATION THAT IS PROPRIETARY TO MOLEX ELECTRONIC TECHNOLOGIES, LLC AND SHOULD NOT BE USED WITHOUT WRITTEN PERMISSION									
DIMENSION UNITS		SCALE		CURRENT REV DESC: OBSOLETE PART NUMBERS AS PER PCN 508518				molex	
mm		NTS							
GENERAL TOLERANCES (UNLESS SPECIFIED)				EC NO: 671087		2021/06/07		PCI EXPRESS	
				DRWN: RPRABHUM		2021/08/06		EDGE CARD CONNECTOR (LEAD FREE VERSION)	
4 PLACES ±				CHK'D: GGA		2021/08/06		PRODUCT CUSTOMER DRAWING	
3 PLACES ±				APPR: GGA		2021/08/06			
2 PLACES ± 0.25				INITIAL REVISION:				DOCUMENT NUMBER	
1 PLACE ± 0.25				DRWN: DAVID HU		2007/05/14		SD-87715-901	
0 PLACES ±				APPR: JENNY CHEN		2007/05/14		PSD 001 G	
ANGULAR TOL ± 3.0°				THIRD ANGLE PROJECTION		DRAWING		SERIES	
DRAFT WHERE APPLICABLE MUST REMAIN WITHIN DIMENSIONS				A3-SIZE		87715		MATERIAL NUMBER	
				GENERAL MARKET		CUSTOMER		SHEET NUMBER	
								3 OF 4	

