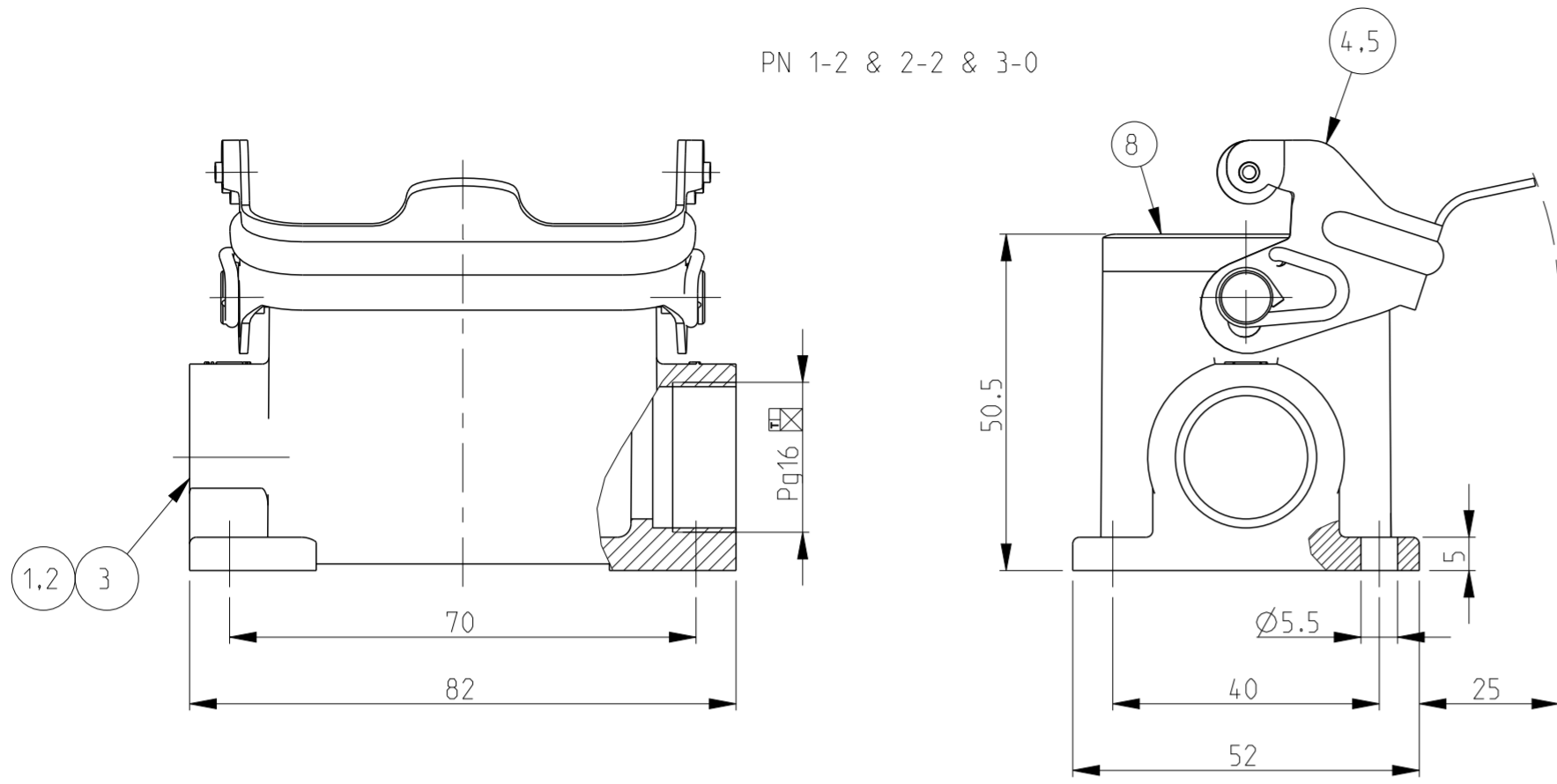
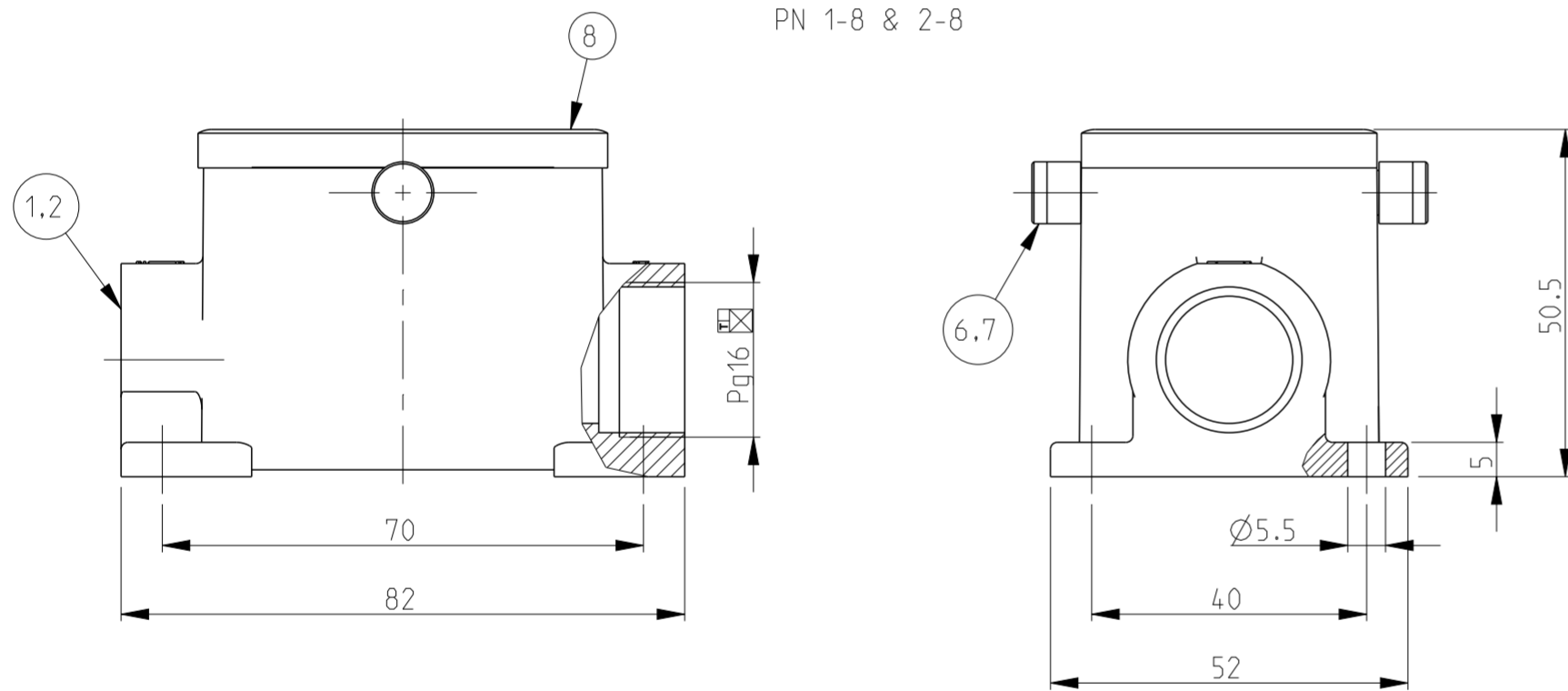


THIS DRAWING IS UNPUBLISHED. RELEASED FOR PUBLICATION .1997
 © COPYRIGHT 1997 BY - ALL RIGHTS RESERVED.

PN 1-2 & 2-2 & 3-0



PN 1-8 & 2-8

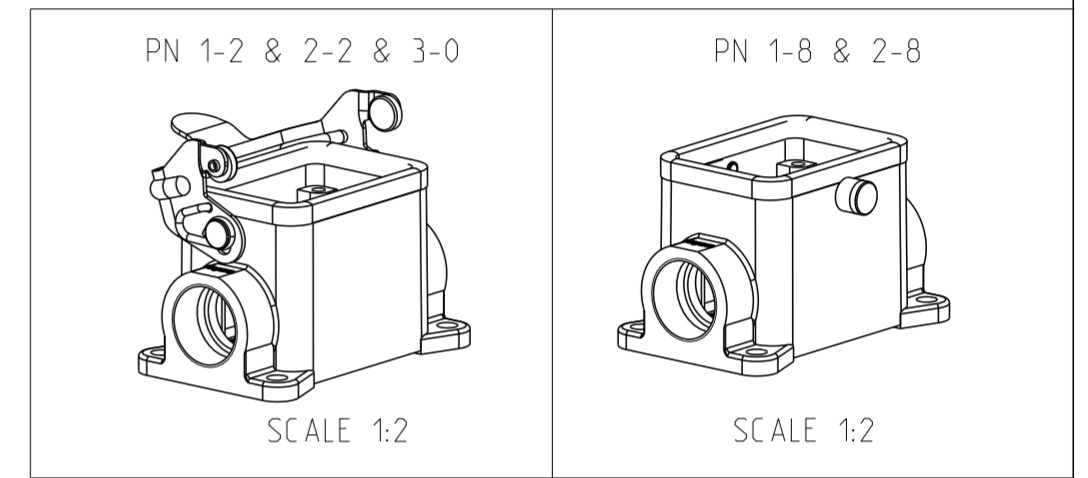


REVISIONS

P	LTR	DESCRIPTION	DATE	DWN	APVD
A3		Released as per ECR-08-019772	04.Sep.2008	SP	TS
A4		REVISED PER ECR-16-016768	18AUG2017	AP	MKO
A5		ECR-17-013084	28MAR2018	SG	MKO

NOTES.

- 1 Material:Housing:Aluminium Diecasting Alloy
Seals:Neoprene
- 2 Surface:Varnish grey
-Aluminium Oxide +Varnish Black
- 3 Varnish on the inside not necessary
- 4 Packaging
Quantity 5 Pieces in a box



QTY	DESCRIPTION	MATERIAL	SURFACE	COLOR	ITEM NO	NOTES
1	Profile seal	Neoprene		Black RAL 9005	8	
1	ZB-Clip bolt	Stainless steel			7	
2	ZB-Clip bolt	Steel	Zinc plated	Blue	6	
1	LB-Side clip finished product	Stainless steel			5	
1	LB-Side clip finished product	Steel	Zinc plated	Blue	4	
1	Surface mounted housing side entry HB.6.16.Z	Aluminium		No varnish	3	
1	Surface mounted housing side entry HB.6.16.Z	Aluminium	Aluminium oxide	Black RAL 9005	2	
1	Surface mounted housing side entry HB.6.16.Z	Aluminium		Grey RAL 7001	1	
3-0	2-8	1-8	2-2	1-2		
ORDERING TEXT						
HB.6.SG-LB.1.16.Z						
HB-K.6.SG-LB.1.16.Z						
HB-Z.6.SG-ZVGR.1.16.Z						
HB-K/Z.6.SG-ZVGR.1.16.Z						
HB.6.SG-LB.1.16.Z-S0						

THIS DRAWING IS A CONTROLLED DOCUMENT.

DWN Schneider 08.12.1998
 CHK Schweiger 08.12.1998

STE TE Connectivity

NAME Surface mounted housing side entry Assy HB.6.SG.1.16.Z

SIZE A2 CAGE CODE 00779 DRAWING NO C-1102249 RESTRICTED TO

WEIGHT -

CUSTOMER DRAWING SCALE 1:1 SHEET 1 OF 1 REV A5