

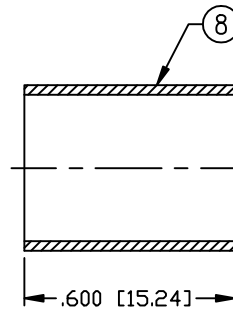
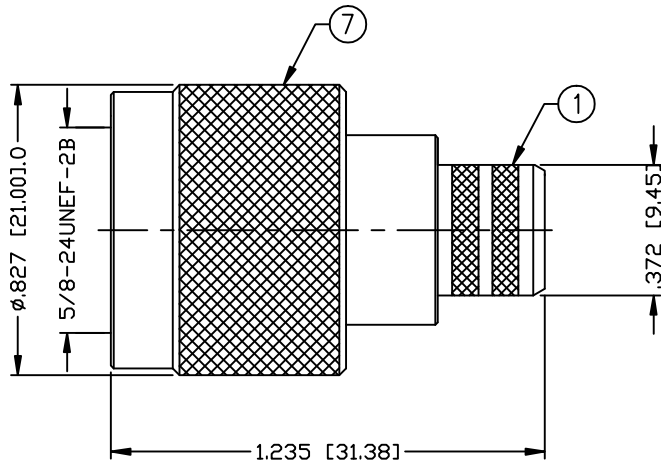
THIS DRAWING CONTAINS INFORMATION PROPRIETARY TO RF INDUSTRIES,
 ANY UNAUTHORIZED USE OF THIS DRAWING IS EXPRESSLY PROHIBITED
 WITHOUT WRITTEN PERMISSION FROM RF INDUSTRIES.
 ANY VIOLATION IS PUNISHABLE UNDER U.S. COPYRIGHT LAWS.

ALL DIMENSIONS ARE REFERENCE ONLY

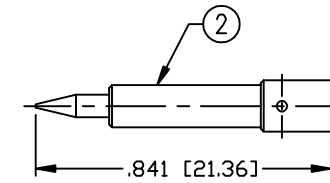
PART NO.

RFN-1006-PL

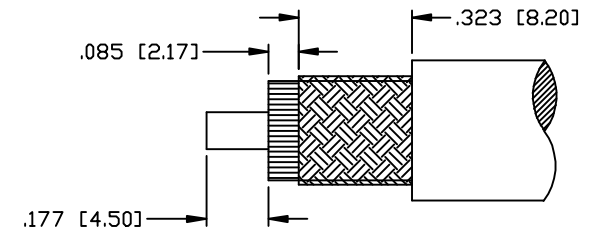
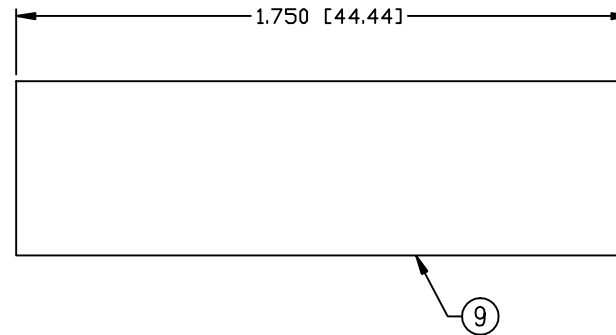
REV	DESCRIPTION	DWN	DATE	APPROVED
A	CHG. PIN DESIGN / ADJUST STRIPPING DIM. / UPDATE DWG & SPECS	JDM	4/22/05	JDMc
B	ADDED NOTE FOR HEAT SHRINK TUBE. ITEM 9	JDM	5/8/20	JDMc



RECOMMENDED CRIMP DIE: .429"



RECOMMENDED CRIMP DIE: .118" OR .128"



RECOMMENDED STRIPPING INSTRUCTIONS

SPECIFICATIONS:

IMPEDANCE: 50 Ohms
 FREQUENCY RANGE: 0-11 GHz
 VSWR: 1.3 Max. @ 9 GHz
 INSERTION LOSS: .06 dB Max. X $\sqrt{f\text{GHz}}$
 WORKING VOLTAGE: 1k V rms @ sea level
 TEMPERATURE RANGE: -65°C TO 85°C
 INSULATION RESISTANCE: 5k M Ohms min.

(I) FOR BELDEN 89913, 7733A, WBC-400P

1	BODY	1	BRASS	SILVER, 5 μ "	000486	DRAWN C. ZUNIGA 8/8/06 CHECKED ORJ DRAWN P. BREAUX 8/20/92
2	PIN	1	BRASS	GOLD, 3 μ "		
3	INSULATOR	1	PTFE	---		
4	RETAINING RING	1	BRASS	SILVER, 5 μ "		
5	GASKET	1	SI RUBBER	---		
6	GROUND RING	1	BRASS	SILVER, 5 μ "		
7	SHELL	1	BRASS	SILVER, 5 μ "		
8	FERRULE	1	BRASS	SILVER, 5 μ "		
9	HEAT SHRINK	1	TUBING	BLACK		
10						
11						
12						
13						
14						
#	DESCRIPTION	QTY	MATERIAL	FINISH	APPROVALS	DATE

UNLESS OTHERWISE SPECIFIED:

DIMENSIONS ARE IN INCHES
 AND [MILLIMETERS]
 UNLESS OTHERWISE NOTED
 TOLERANCES ARE:
 DECIMALS DIAMETER

RFconnectors
 DIVISION OF RF INDUSTRIES, LTD.

7610 MIRAMAR RD
 SAN DIEGO, CA 92126
 (858) 549-6340
 (858) 549-6345 FAX

N PLUG, CRIMP

SIZE A	CABLE GROUP PL	DWG NO. RFN-1006-PL	REV B
SCALE: NTS		CAD FILE OUTLINE	SHEET 1 OF 1