

ITEM	PART#	DESCRIPTION	QTY	UOM
A	39012026	2CKT NEW MINI FIT HOUSING 555902P210	1	PC
B	39000124	MiniFit Term Crp Male C Bs Tin 16awg	2	PC
C	--	PAPER PRINTED PAPER WHITE	1	PC

FROM	TO	DESCRIPTION	COLOR
A1	--	1X16AWG DISC PVC BK UL1015 HOOKUP	BLACK
A2	--	1X16AWG DISC PVC BK UL1015 HOOKUP	BLACK

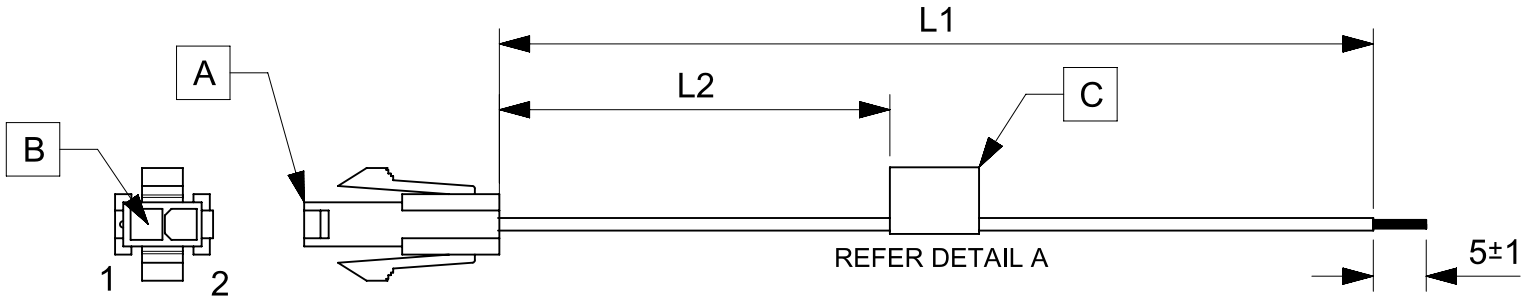


TABLE			
PART NUMBER	L1	L2	TITLE
2153281021	150±8	63 REF	MINIFIT JR DR P-S 2 CIRCUIT 150MM Sn
2153281022	300±10	138 REF	MINIFIT JR DR P-S 2 CIRCUIT 300MM Sn
2153281023	600±10	288 REF	MINIFIT JR DR P-S 2 CIRCUIT 600MM Sn

- NOTES**
1. Connector view shown is from mating side.
  2. Free ends must be stripped, twisted & tinned. The length of tinning is 5±1mm. Tinning dia must be 1.8mm Max.
  3. Label text must be 2mm max. in height with Arial font.
  4. Label must be wrapped in Flag type on a single cable.

MOLEX P/N  
MOLEX  
BATCH WK/YR  
DETAIL A

REVISION			
DATE	REV	DESCRIPTION	CHANGER
2020/03/19	A	INITIAL RELEASE	ARAJU

FUNCTIONAL SYMBOLS FA = 0 FE = 0 FP = 0	THIS DRAWING CONTAINS INFORMATION THAT IS PROPRIETARY TO MOLEX ELECTRONIC TECHNOLOGIES, LLC AND SHOULD NOT BE USED WITHOUT WRITTEN PERMISSION		
	DIMENSION UNITS	SCALE	CURRENT REV DESC:
	mm	NTS	EC NO: 638379 DRWN: ARAJU 2020/03/19 CHK'D: RDESAI01 2020/05/28 APPR: RDESAI01 2020/05/28
	GENERAL TOLERANCES (UNLESS SPECIFIED)		
DIVISIONAL SYMBOLS	ANGULAR TOL	± °	INITIAL REVISION:
4 PLACES	±		DRWN: ARAJU 2020/03/19 APPR: RDESAI01 2020/05/28
3 PLACES	±		DOCUMENT NUMBER
2 PLACES	±		2153281021
1 PLACE	±		DOC TYPE
0 PLACES	±		PSD
DRAFT WHERE APPLICABLE MUST REMAIN WITHIN DIMENSIONS		THIRD ANGLE PROJECTION	CUSTOMER
			GENERAL MARKET
		DRAWING	SHEET NUMBER
		A4-SIZE	1 OF 1
		SERIES	
		215328	

RELEASE STATUS	P1	RELEASE DATE	2020/05/28	07:59:29
----------------	----	--------------	------------	----------