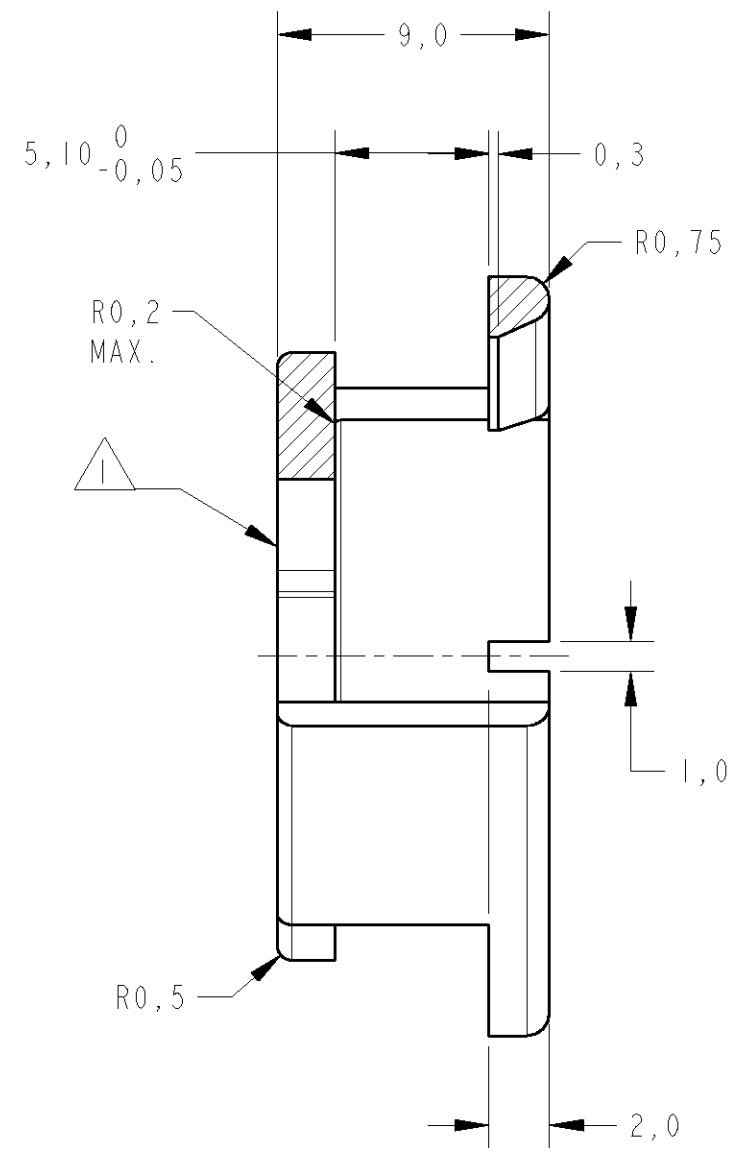


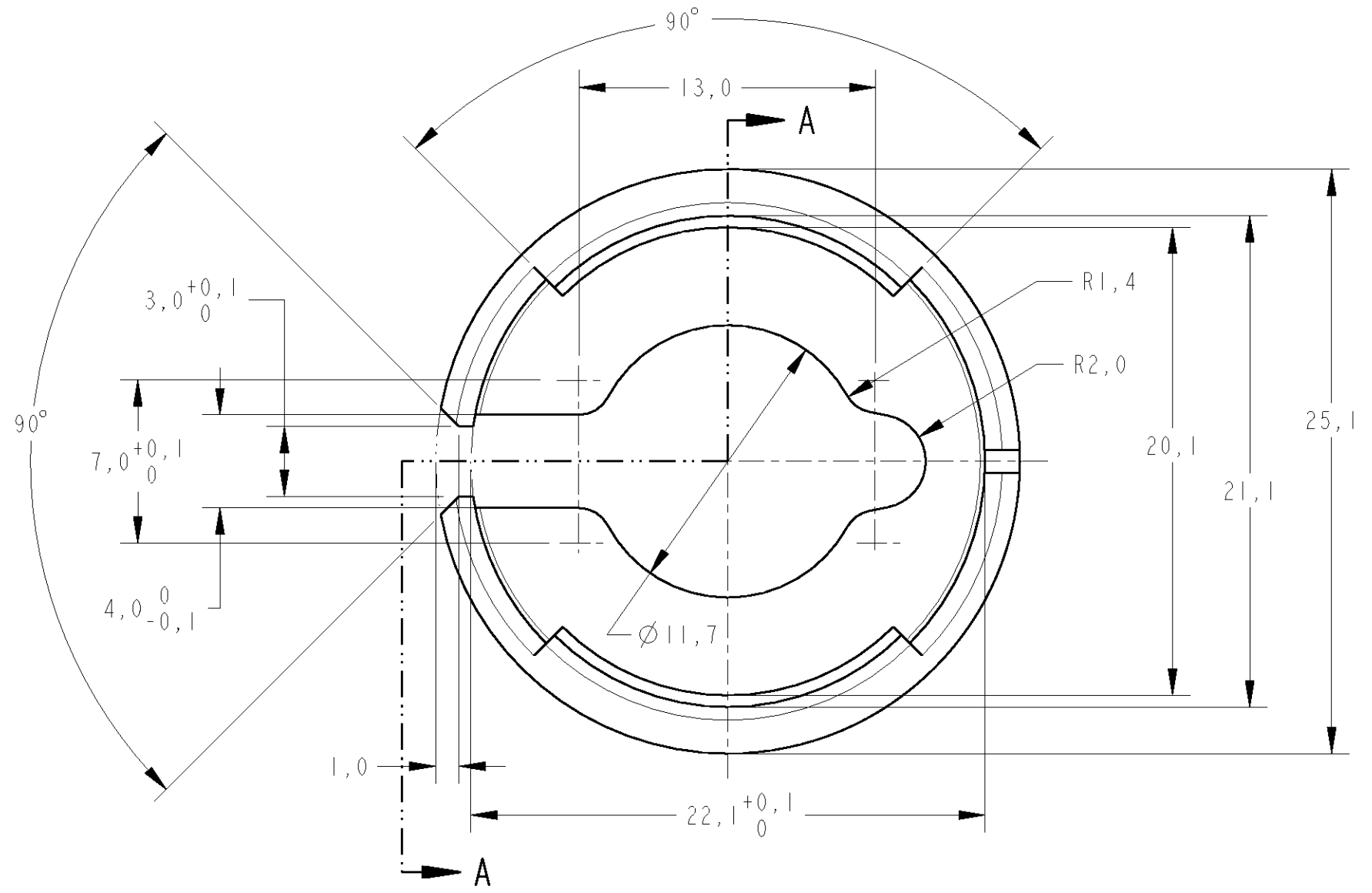
THIS DRAWING IS UNPUBLISHED. RELEASED FOR PUBLICATION 20
 © COPYRIGHT 20 BY TYCO ELECTRONICS CORPORATION. ALL RIGHTS RESERVED.

LOC	DIST	REVISIONS			
P	LTR	DESCRIPTION	DATE	DWN	APVD
AP	-	CI REDRAW BY CAD	EC-001/04	16APR2004	MRB PLF

CAD
Pro-E
 DO NOT REVISE
 EXCEPT BY CAD



SECTION A-A



△-NOTAS:

GRAVAÇÃO MARKING
LOGOTIPO AMP 105-40 AMP LOGO
PAÍS PRODUTOR 105-40 MANUFACTURER COUNTRY
LOGOTIPO CLIENTE VW105-14 CUSTOMER LOGO
NÚMERO PEÇA CLIENTE DIN-1451 CUSTOMER PART NUMBER

307972616 1	VIOLETA VIOLET	PA 6.6 +25% FV (GF)	881301-1
PART NUMBER VW	FINISH	MATERIAL	PART NUMBER

<small>THIS DRAWING IS A CONTROLLED DOCUMENT FOR TYCO ELECTRONICS CORPORATION IT IS SUBJECT TO CHANGE AND THE CONTROLLING ENGINEERING ORGANIZATION SHOULD BE CONTACTED FOR THE LATEST REVISION.</small>		DWN 16APR2004 M.R.BRIZ CHK 20APR2004 P.L.FARIA APVD 20APR2004 H.LIVERRARO	tyco Electronics TYCO ELECTRONICS do Brasil LTDA. Sao Paulo, Brasil
DIMENSIONS: mm	TOLERANCES UNLESS OTHERWISE SPECIFIED: 0 PLC ±- 1 PLC ±0,1 2 PLC ±- 3 PLC ±- 4 PLC ±- ANGLES ±1 FINISH	PRODUCT SPEC NA APPLICATION SPEC NA WEIGHT — / —	NAME SECONDARY LOCKING COVER FOR 4 POSN. SEALING
MATERIAL SEE TABLE	SEE TABLE	SIZE A3 CAGE CODE 00779 DRAWING NO C=881301	RESTRICTED TO -
CUSTOMER DRAWING		SCALE 4:1	SHEET 1 OF 1 REV CI