

**NOTES:**

**1) MATERIAL:**

- "BLANK" = NYLON 6/6, 94V-2, COLOR: NATURAL.
- "BL" = NYLON 6/6, 94V-2, COLOR: BLACK.
- "BU" = NYLON 6/6, 94V-2, COLOR: BLUE.
- "RE" = NYLON 6/6, 94V-2, COLOR: RED.
- "210" = NYLON 6/6, 94V-0, COLOR: NATURAL.
- "400" = NYLON 6/6, 94V-0, COLOR: BLACK.

**2) FINISH: NOT APPLICABLE**

**3) PRODUCT SPECIFICATION: PS-5556-001**

**4) PACKAGING: BULK PACKED PER PK-5559-001**

**5) PART MATES WITH MOLEX RECEPTACLE #5557.**

**6) PART TO BE USED WITH MOLEX MALE TERMINAL #5558.**

**7) PART IS NOT DESIGNED FOR CURRENT SHARING.**

**8) CONNECTORS ARE NOT TO BE MATED OR UNMATED WHILE CIRCUITS ARE LIVE.**

**9) WIRES ARE TO BE DRESSED IN SUCH A MANNER TO ALLOW THE TERMINALS TO FLOAT FREELY IN THE POCKET.**

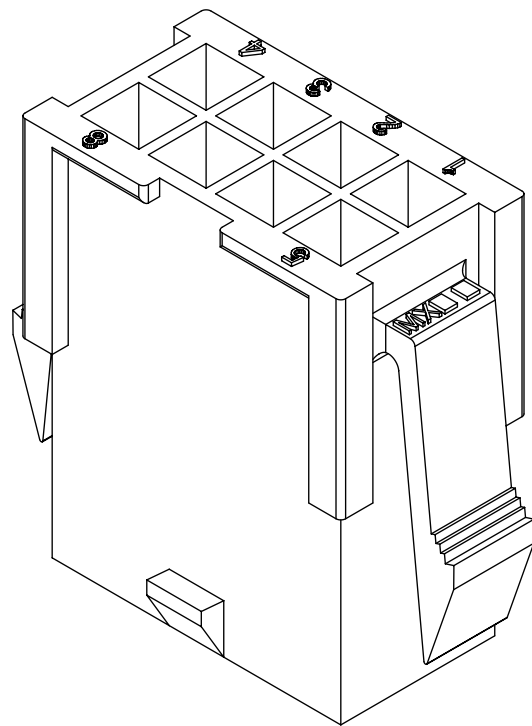
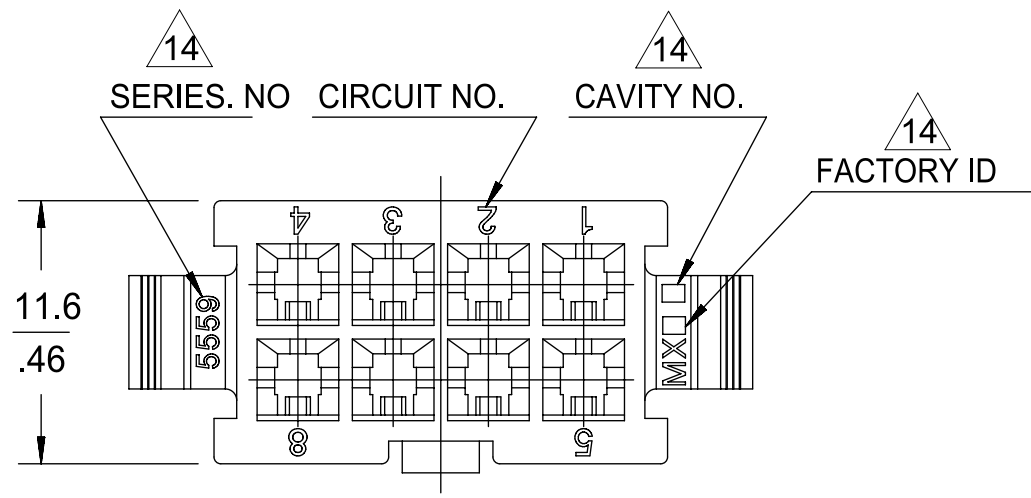
**10) PART CONFORMS TO CLASS "B" REQUIREMENTS OF COSMETIC SPECIFICATION PS-45499-002 WITH THE EXCEPTION OF DISCOLORATION, FLASH AND SINK MEET CLASS "C" REQUIREMENTS.**

**11) ON 2 CIRCUITS PARTS THIS DIMENSION IS ALLOWABLE UP TO "D" DIMENSION.**

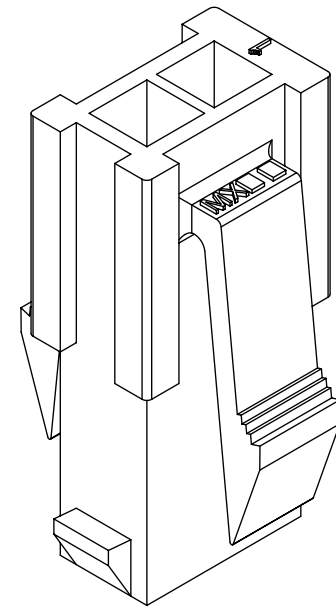
**12) PANEL HOLE TO BE PUNCHED OUT IN THE SAME DIRECTION AS INSERTION INTO THE PANEL.**

**13) TO BE MEASURED AT SURFACE -A-**

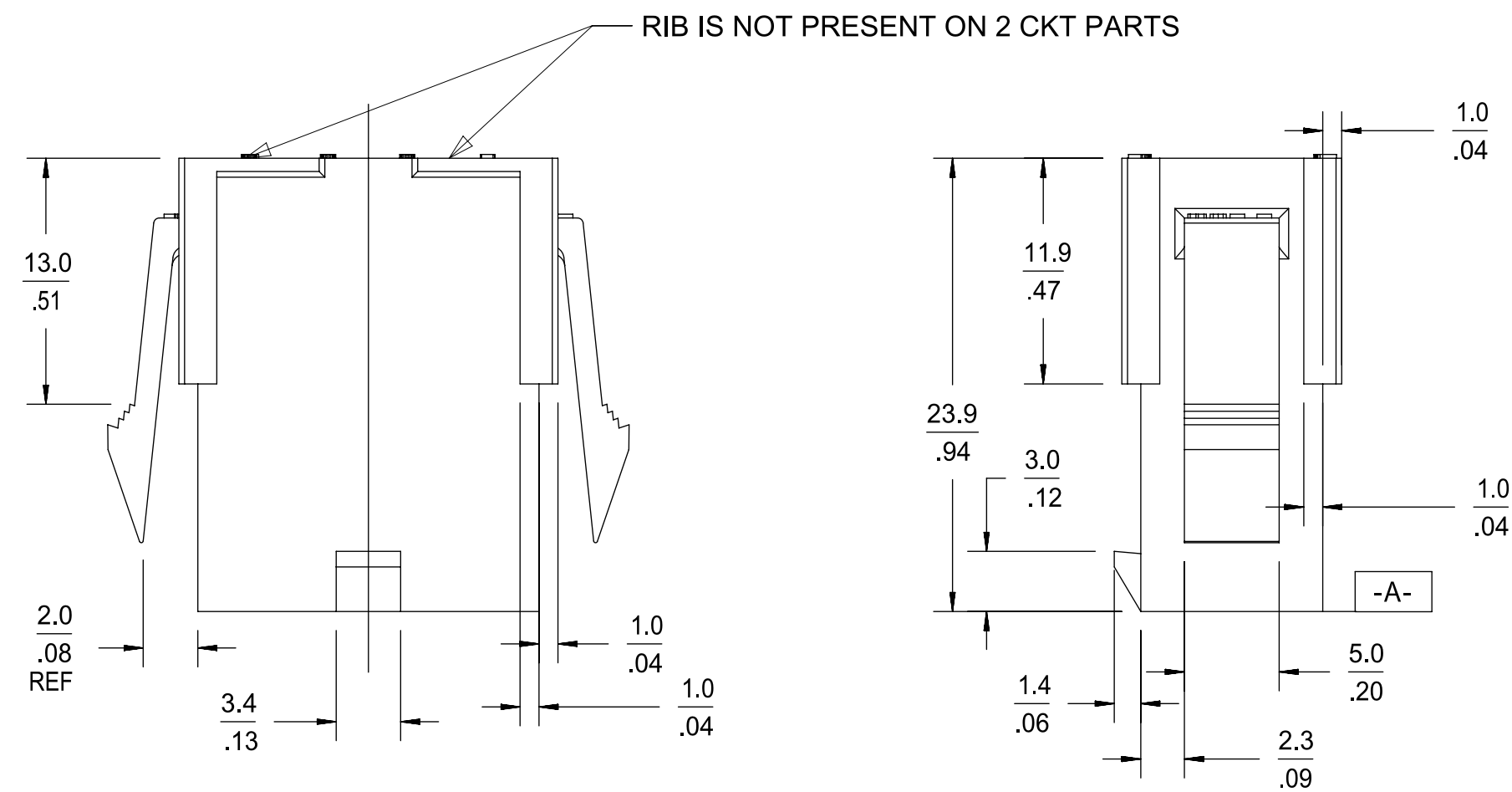
**14) TEXT ON PART IS FOR REFERENCE ONLY. TEXT AND TEXT LOCATION MAY VARY DEPENDING ON PART NUMBER AND/OR TOOL.**



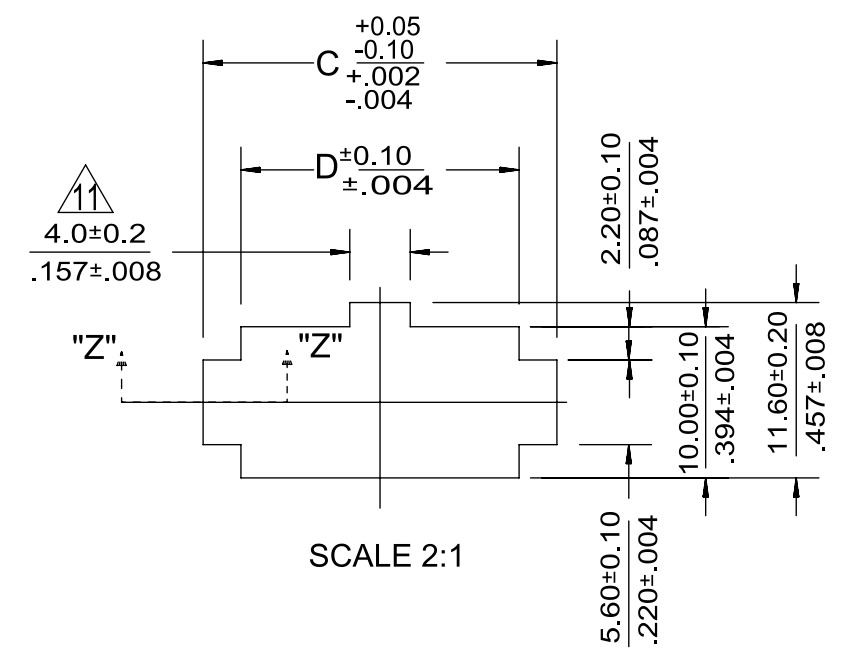
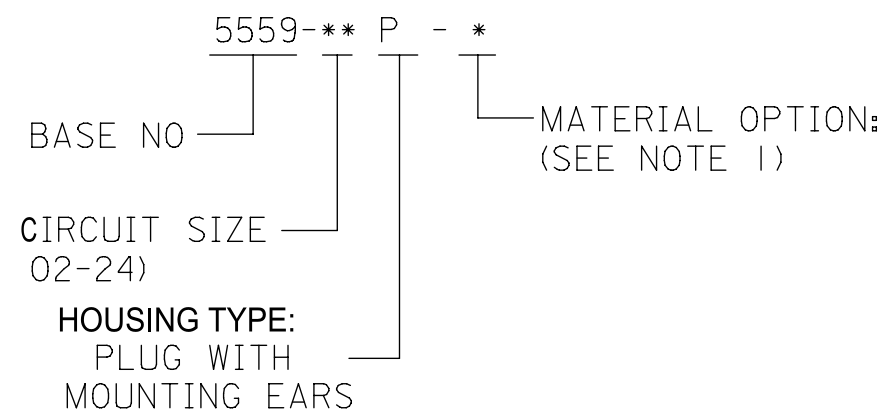
8 CKT SHOWN



2 CKT SHOWN

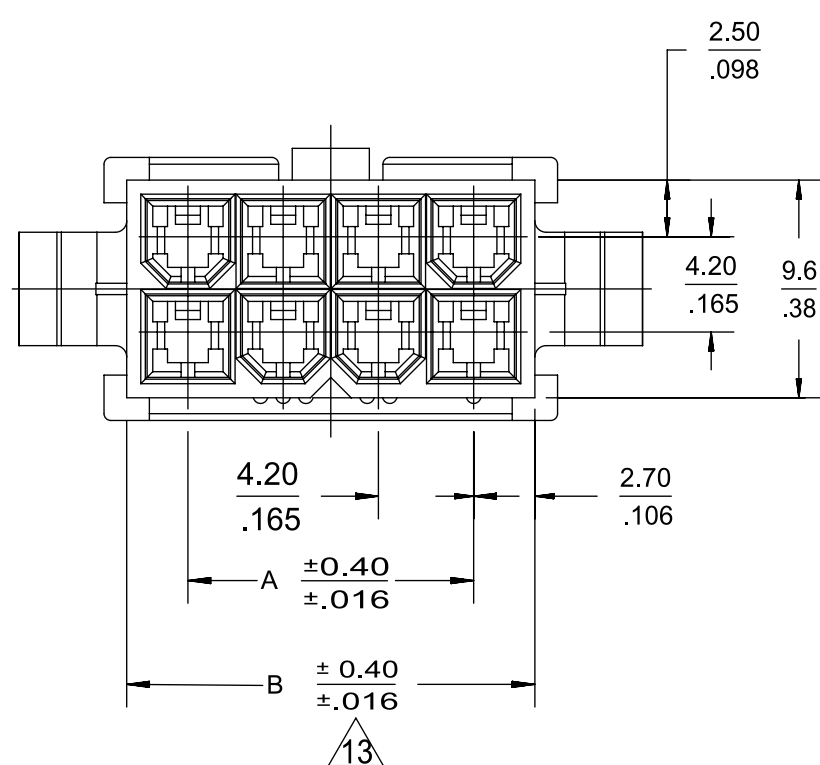
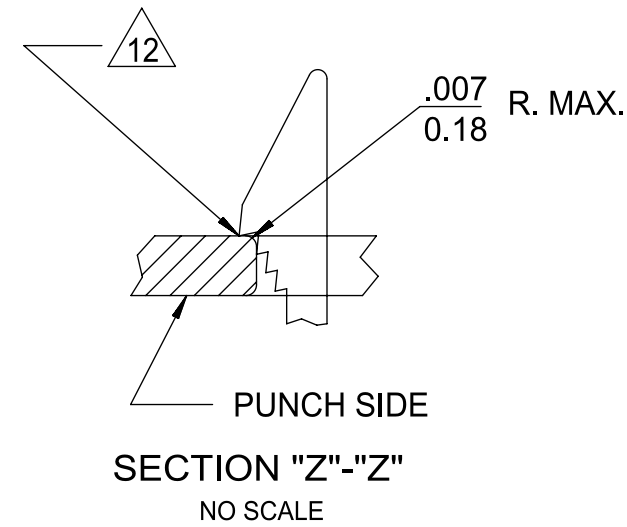


**LEGEND**



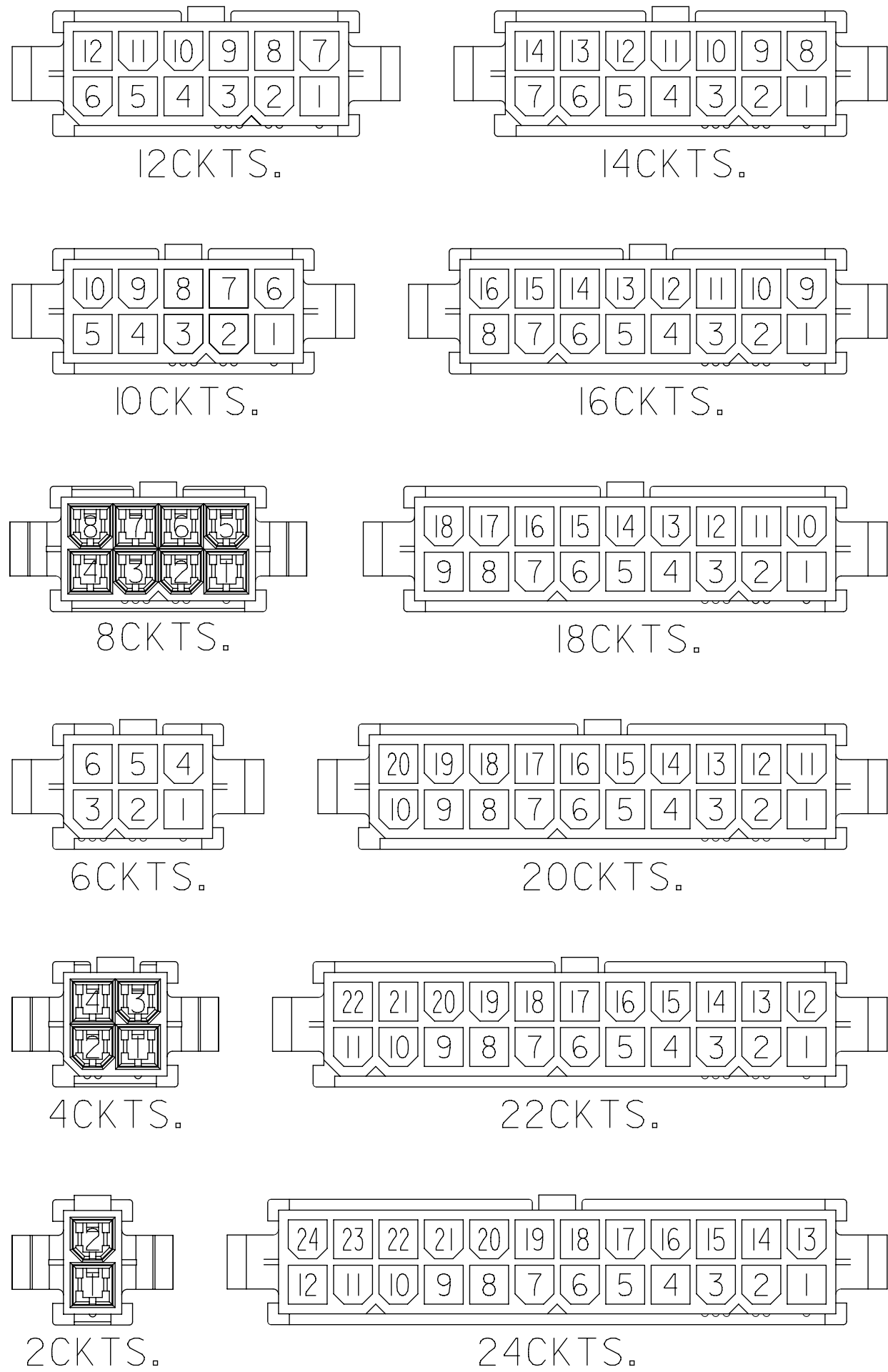
**RECOMMENDED PANEL HOLE DIMENSIONS**  
 (THICKNESS : 0.8-2.0/.032-.079)

52.1/2.051	57.0/2.244	51.6/2.031	46.2/1.819	24
47.9/1.886	52.8/2.079	47.4/1.866	42.0/1.654	22
43.7/1.720	48.6/1.913	43.2/1.701	37.8/1.488	20
39.5/1.555	44.4/1.748	39.0/1.535	33.6/1.323	18
35.3/1.390	40.2/1.583	34.8/1.370	29.4/1.158	16
31.1/1.224	36.0/1.417	30.6/1.205	25.2/.992	14
26.8/1.055	31.8/1.252	26.4/1.039	21.0/.827	12
22.6/.890	27.6/1.087	22.2/.874	16.8/.661	10
18.4/.724	23.4/.921	18.0/.709	12.6/.496	8
14.2/.559	19.2/.756	13.8/.543	8.4/.331	6
10.0/.394	15.0/.591	9.6/.378	4.2/.165	4
5.8/.228	10.8/.425	5.4/.213	—	2
D	C	B	A	CIRCUIT



THIS DRAWING CONTAINS INFORMATION THAT IS PROPRIETARY TO MOLEX ELECTRONIC TECHNOLOGIES, LLC AND SHOULD NOT BE USED WITHOUT WRITTEN PERMISSION			
DIMENSION UNITS	SCALE	CURRENT REV DESC:	
IN/MM	NTS		
GENERAL TOLERANCES (UNLESS SPECIFIED)			
	MM	INCH	
4 PLACES	±	±	
3 PLACES	±	± 0.012	
2 PLACES	±	0.3 ± 0.016	
1 PLACE	±	0.4 ±	
0 PLACES	±	±	
ANGULAR TOL	± 3.0 °		
DRAFT WHERE APPLICABLE MUST REMAIN WITHIN DIMENSIONS			
THIRD ANGLE PROJECTION			
DRAWING	SERIES		
C-SIZE	5559		
EC NO: 732242			
DRWN: JERRYW8		2022/12/15	
CHK'D: XQZHANG		2022/12/16	
APPR: XQZHANG		2022/12/16	
INITIAL REVISION:			
DRWN: H.HIRAMOTO		1998/10/14	
APPR: E.ENOMOTO		1988/10/24	
DOCUMENT NUMBER		DOC TYPE	DOC PART
55590020-SD		PSD	000
PRODUCT CUSTOMER DRAWING			
SHEET NUMBER			
SEE TABLE		GENERAL MARKET	
MATERIAL NUMBER		CUSTOMER	
1 OF 2			

THIS DRAWING REPLACES SD-5559-NP



CIRCUIT SIZE LAYOUT (SCALE : 2-1)

V-2 BLACK			V-0 BLACK		
EDP NO.	ENG. NO.	CIRCUIT	EDP NO.	ENG. NO.	CIRCUIT
46999-0157	5559-24P-BL	24	46999-0304	5559-24P-400	24
		22	46999-0303	5559-22P-400	22
39-02-8205	5559-20P-BL	20	46999-0302	5559-20P-400	20
		18	46999-0301	5559-18P-400	18
		16	46999-0300	5559-16P-400	16
		14	46999-0299	5559-14P-400	14
		12	46999-0298	5559-12P-400	12
		10	46999-0297	5559-10P-400	10
		8	46999-0296	5559-08P-400	8
39-02-8065	5559-06P-BL	6	46999-0295	5559-06P-400	6
		4	46999-0294	5559-04P-400	4
		2	46999-0293	5559-02P-400	2

V-2 BLUE			V-2 RED			V-0 NATURAL			V-2 NATURAL		
EDP NO.	ENG. NO.	CIRCUIT	EDP NO.	ENG. NO.	CIRCUIT	EDP NO.	ENG. NO.	CIRCUIT	EDP NO.	ENG. NO.	CIRCUIT
		24			24	39-01-2246	5559 -24P-210	24	39-01-2241	5559-24P	24
		22			22	▲ -2226	▲ -22P-210	22	▲ -2221	▲ -22P	22
		20			20	-2206	-20P-210	20	-2201	-20P	20
		18			18	-2186	-18P-210	18	-2181	-18P	18
		16			16	-2166	-16P-210	16	-2161	-16P	16
		14			14	-2146	-14P-210	14	-2141	-14P	14
		12			12	-2126	-12P-210	12	-2121	-12P	12
		10			10	-2106	-10P-210	10	-2101	-10P	10
		8			8	-2086	-08P-210	8	-2081	-08P	8
		6			6	-2066	-06P-210	6	-2061	-06P	6
		4			4	▼ -2046	▼ -04P-210	4	▼ -2041	▼ -04P	4
		2			2	39-01-2026	5559 -02P-210	2	39-01-2021	5559-02P	2

THIS DRAWING CONTAINS INFORMATION THAT IS PROPRIETARY TO MOLEX ELECTRONIC TECHNOLOGIES, LLC AND SHOULD NOT BE USED WITHOUT WRITTEN PERMISSION

DIMENSION UNITS	SCALE	CURRENT REV DESC:	<b>molex</b>
IN/MM	NTS		
GENERAL TOLERANCES (UNLESS SPECIFIED)			
	MM	INCH	
4 PLACES	±	±	EC NO: 732242
3 PLACES	±	± 0.012	DRWN: JERRYW8 2022/12/15
2 PLACES	±	± 0.016	CHK'D: XQZHANG 2022/12/16
1 PLACE	±	±	APPR: XQZHANG 2022/12/16
0 PLACES	±	±	INITIAL REVISION:
ANGULAR TOL	±	± 3.0 °	DRWN: H.HIRAMOTO 1998/10/14
DRAFT WHERE APPLICABLE MUST REMAIN WITHIN DIMENSIONS			APPR: E.ENOMOTO 1988/10/24
THIRD ANGLE PROJECTION		DRAWING	SERIES
		C-SIZE	5559
DOCUMENT NUMBER		CUSTOMER	SHEET NUMBER
55590020-SD		GENERAL MARKET	2 OF 2