

Isolated RS485 Transceiver

FEATURES

- **UL Rated Isolated RS485: 2500V_{RMS}**
UL Recognized File #E151738
- **Eliminates Ground Loops**
- **250kBd Maximum Data Rate**
- **Self-Powered with 420kHz Converter**
- Half- or Full-Duplex
- Fail-Safe Output High for Open or Shorted Receiver Inputs
- Short-Circuit Current Limit
- Slow Slew Rate Control
- 68kΩ Input Impedance Allows Up to 128 Nodes
- Thermal Shutdown
- 8kV ESD Protection On Driver Outputs and Receiver Inputs
- Available in 28-Lead SW Package

APPLICATIONS

- Isolated RS485 Receiver/Driver
- RS485 with Large Common Mode Voltage
- Breaking RS485 Ground Loops
- Multiple Unterminated Line Taps

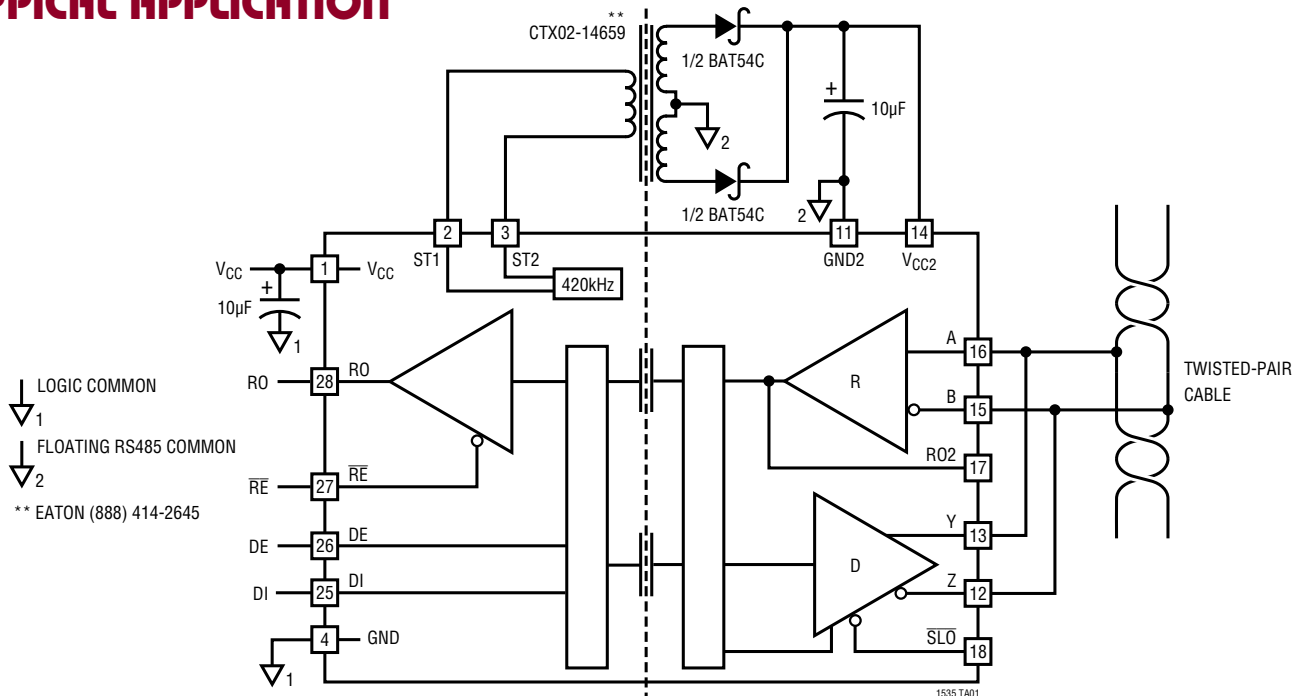
DESCRIPTION

The **LTC[®]1535** is an isolated RS485 full-duplex differential line transceiver. Isolated RS485 is ideal for systems where the ground loop is broken to allow for much larger common mode voltage ranges. An internal capacitive isolation barrier provides 2500V_{RMS} of isolation between the line transceiver and the logic level interface. The powered side contains a 420kHz push-pull converter to power the isolated RS485 transceiver. Internal full-duplex communication occurs through the capacitive isolation barrier. The transceiver meets RS485 and RS422 requirements.

The driver and receiver feature three-state outputs, with the driver maintaining high impedance over the entire common mode range. The drivers have short-circuit current limits in both directions and a slow slew rate select to minimize EMI or reflections. The 68kΩ receiver input allows up to 128 node connections. A fail-safe feature defaults to a high output state when the receiver inputs are open or shorted.

, LT, LTC, LTM, Linear Technology and the Linear logo are registered trademarks of Analog Devices, Inc. All other trademarks are the property of their respective owners.

TYPICAL APPLICATION



1535fc

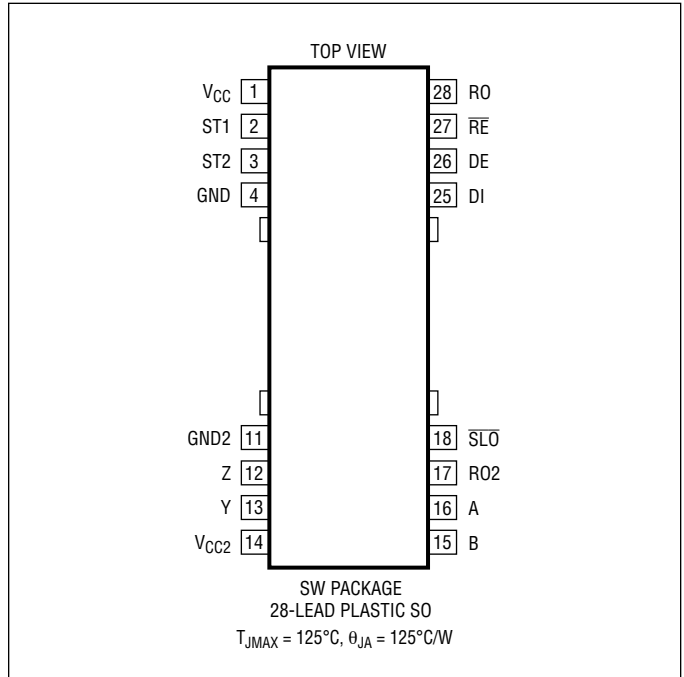
LTC1535

ABSOLUTE MAXIMUM RATINGS

(Note 1)

| | |
|--|--|
| V_{CC} to GND | 6V |
| V_{CC2} to GND2..... | 8V |
| Control Input Voltage to GND..... | -0.3V to ($V_{CC} + 0.3V$) |
| Driver Input Voltage to GND..... | -0.3V to ($V_{CC} + 0.3V$) |
| Driver Output Voltage (Driver Disabled) to GND2 | ($V_{CC2} - 13V$) to 13V |
| Driver Output Voltage (Driver Enabled) to GND2..... | ($V_{CC2} - 13V$) to 10V |
| Receiver Input Voltage to GND2..... | $\pm 14V$ |
| Receiver Output Voltage | -0.3V to ($V_{CC} + 0.3V$) |
| Operating Temperature Range | |
| LTC1535C | $0^{\circ}C \leq T_A \leq 70^{\circ}C$ |
| LTC1535I | $-40^{\circ}C \leq T_A \leq 85^{\circ}C$ |
| Storage Temperature Range | $-65^{\circ}C$ to $150^{\circ}C$ |
| Lead Temperature (Soldering, 10 sec)..... | $300^{\circ}C$ |

PIN CONFIGURATION



ORDER INFORMATION <http://www.linear.com/product/LTC1535#orderinfo>

| LEAD FREE FINISH | TAPE AND REEL | PART MARKING* | PACKAGE DESCRIPTION | TEMPERATURE RANGE |
|------------------|------------------|---------------|---------------------|---------------------------------|
| LTC1535CSW#PBF | LTC1535CSW#TRPBF | 1535 | 28-Lead Plastic SO | $0^{\circ}C$ to $70^{\circ}C$ |
| LTC1535ISW#PBF | LTC1535ISW#TRPBF | 1535 | 28-Lead Plastic SO | $-40^{\circ}C$ to $85^{\circ}C$ |

Consult LTC Marketing for parts specified with wider operating temperature ranges. *The temperature grade is identified by a label on the shipping container.

For more information on lead free part marking, go to: <http://www.linear.com/leadfree/>

For more information on tape and reel specifications, go to: <http://www.linear.com/tapeandreel/>. Some packages are available in 500 unit reels through designated sales channels with #TRMPBF suffix.

ELECTRICAL CHARACTERISTICS

The ● denotes the specifications which apply over the full operating temperature range, otherwise specifications are at $T_A = 25^\circ\text{C}$. $V_{CC} = 5\text{V}$, $V_{CC2} = 5\text{V}$ unless otherwise noted.

| SYMBOL | PARAMETER | CONDITIONS | | MIN | TYP | MAX | UNITS | |
|-----------------|---|--|--|------|------|-------|---------------|----|
| V_{CC} | V_{CC} Supply Range | | ● | 4.5 | | 5.5 | V | |
| V_{CC2} | V_{CC2} Supply Range | | ● | 4.5 | | 7.5 | V | |
| I_{CC} | V_{CC} Supply Current | Transformer Not Driven (Note 10) | ● | | 13 | 28 | mA | |
| I_{CC2} | V_{CC2} Supply Current | R = 27 Ω , Figure 2 | ● | | 63 | 73 | mA | |
| | | No Load | ● | | 7 | 12 | mA | |
| V_{OD1} | Differential Driver Output | No Load | ● | | | 5 | V | |
| V_{OD2} | Differential Driver Output | R = 50 Ω (RS422) (Note 2), $V_{CC2} = 4.5\text{V}$ | ● | 2 | | | V | |
| | | R = 27 Ω (RS485), Figure 2, $V_{CC2} = 4.5\text{V}$ | ● | 1.5 | 2 | | V | |
| V_{OC} | Driver Output Common Mode Voltage | DC Level, R = 50 Ω , Figure 2 | ● | 2.0 | 2.5 | 3.0 | V | |
| I_{OSD1} | Driver Short-Circuit Current $V_{OUT} = \text{HIGH}$ $V_{OUT} = \text{LOW}$ | Driver Enabled (DE = 1) | | | | | | |
| | | $-7\text{V} \leq V_{CM} \leq 10\text{V}$ | ● | 60 | 100 | 150 | mA | |
| | | $-7\text{V} \leq V_{CM} \leq 10\text{V}$ | ● | 60 | 100 | 150 | mA | |
| V_{IH} | Logic Input High Voltage | DE, DI, $\overline{\text{RE}}$ | ● | 2 | 1.7 | | V | |
| | | $\text{SL}\overline{0}$ | ● | 4 | 2.2 | | V | |
| V_{IL} | Logic Input Low Voltage | DE, DI, $\overline{\text{RE}}$ | ● | | 1.7 | 0.8 | V | |
| | | $\text{SL}\overline{0}$ | ● | | 1.8 | 1 | V | |
| I_{IN} | Input Current (A, B) | (Note 3) | $V_{IN} = 12\text{V}$ | ● | | 0.25 | mA | |
| | | | $V_{IN} = -7\text{V}$ | ● | | -0.20 | mA | |
| V_{TH} | Receiver Input Threshold | $-7\text{V} \leq V_{CM} \leq 12\text{V}$, (Note 4) | ● | -200 | -90 | -10 | mV | |
| ΔV_{TH} | Receiver Input Hysteresis | $-7\text{V} \leq V_{CM} \leq 12\text{V}$ | $0^\circ\text{C} \leq T_A \leq 70^\circ\text{C}$ | ● | 10 | 30 | 70 | mV |
| | | | $-40^\circ\text{C} \leq T_A \leq 85^\circ\text{C}$ | ● | 5 | 30 | 70 | mV |
| R_{IN} | Receiver Input Impedance | | ● | 50 | 68 | 100 | k Ω | |
| V_{IOC} | Receiver Input Open Circuit Voltage | | | | 3.4 | | V | |
| V_{OH} | RO Output High Voltage | $I_{R0} = -4\text{mA}$, $V_{CC} = 4.5\text{V}$ | ● | 3.7 | 4.0 | | V | |
| V_{OL} | RO Output Low Voltage | $I_{R0} = 4\text{mA}$, $V_{CC} = 4.5\text{V}$ | ● | | 0.4 | 0.8 | V | |
| I_{OZ} | Driver Output Leakage | Driver Disabled (DE = 0) | | | 1 | | μA | |
| V_{OH2} | R02 Output High Voltage | $I_{R02} = -4\text{mA}$, $V_{CC} = 4.5\text{V}$ | ● | 3.7 | 3.9 | | V | |
| V_{OL2} | R02 Output Low Voltage | $I_{R02} = 4\text{mA}$, $V_{CC} = 4.5\text{V}$ | ● | | 0.4 | 0.8 | V | |
| f_{SW} | DC Converter Frequency | | ● | 290 | 420 | 590 | kHz | |
| R_{SWH} | DC Converter Impedance High | | ● | | 4 | 6 | Ω | |
| R_{SWL} | DC Converter Impedance Low | | ● | | 2.5 | 5 | Ω | |
| I_{REL} | $\overline{\text{RE}}$ Output Low Current | $\overline{\text{RE}}$ Sink Current, Fault = 0 | ● | -40 | -50 | -80 | μA | |
| I_{REH} | $\overline{\text{RE}}$ Output High Current | $\overline{\text{RE}}$ Source Current, Fault = 1 | ● | 80 | 100 | 130 | μA | |
| V_{UVL} | Undervoltage Low Threshold | $\overline{\text{RE}}$ Fault = 1, (Note 5) | ● | 3.70 | 4.00 | 4.25 | V | |
| V_{UVH} | Undervoltage High Threshold | $\overline{\text{RE}}$ Fault = 0, (Note 5) | ● | 4.05 | 4.20 | 4.40 | V | |
| V_{ISO} | Isolation Voltage | 1 Minute, (Note 6) | | 2500 | | | V_{RMS} | |
| | | 1 Second | | 3000 | | | V_{RMS} | |

ELECTRICAL CHARACTERISTICS

The ● denotes the specifications which apply over the full operating temperature range, otherwise specifications are at $T_A = 25^\circ\text{C}$. $V_{CC} = 5\text{V}$, $V_{CC2} = 5\text{V}$, $R = 27\Omega$ (RS485) unless otherwise noted.

| SYMBOL | PARAMETER | CONDITIONS | | MIN | TYP | MAX | UNITS |
|-------------|----------------------------|--|--------|-----|-------------|-------------|----------|
| t_{SJ} | Data Sample Jitter | Figure 8, (Note 7) | ● | | 250 | 285 | ns |
| f_{MAX} | Max Baud Rate | Jitter = 10% Max, $\overline{SLO} = 1$, (Note 8) | ● | 250 | 410 | | kBd |
| t_{PLH} | Driver Input to Output | DE = 1, $\overline{SLO} = 1$, Figure 4, Figure 6 DE = 1, $\overline{SLO} = 0$, Figure 4, Figure 6 | ● ● | | 600 1300 | 855 1560 | ns ns |
| t_{PHL} | Driver Input to Output | DE = 1, $\overline{SLO} = 1$, Figure 4, Figure 6 DE = 1, $\overline{SLO} = 1$, Figure 4, Figure 6 | ● ● | | 600 1300 | 855 1560 | ns ns |
| t_r, t_f | Driver Rise or Fall Time | DE = 1, $\overline{SLO} = 1$, Figure 4, Figure 6 DE = 1, $\overline{SLO} = 0$, $V_{CC} = V_{CC2} = 4.5\text{V}$ | ● ● | 150 | 20 500 | 100 1000 | ns ns |
| t_{ZH} | Driver Enable to Output | DI = 1, $\overline{SLO} = 1$, Figure 5, Figure 7 | ● | | 1000 | 1400 | ns |
| t_{ZL} | Driver Enable to Output | DI = 0, $\overline{SLO} = 1$, Figure 5, Figure 7 | ● | | 1000 | 1400 | ns |
| t_{LZ} | Driver Disable to Output | DI = 0, $\overline{SLO} = 1$, Figure 5, Figure 7 | ● | | 700 | 1300 | ns |
| t_{HZ} | Driver Disable to Output | DI = 1, $\overline{SLO} = 1$, Figure 5, Figure 7 | ● | | 700 | 1300 | ns |
| t_{PLH} | Receiver Input to RO | $\overline{RE} = 0$, Figure 3, Figure 8 | ● | | 600 | 855 | ns |
| t_{PHL} | Receiver Input to RO | $\overline{RE} = 0$, Figure 3, Figure 8 | ● | | 600 | 855 | ns |
| t_{PLH} | Receiver Input to RO2 | $\overline{RE} = 0$, Figure 3, Figure 8 | | | 30 | | ns |
| t_{PHL} | Receiver Input to RO2 | $\overline{RE} = 0$, Figure 3, Figure 8 | | | 30 | | ns |
| t_r, t_f | Receiver Rise or Fall Time | $\overline{RE} = 0$, Figure 3, Figure 8 | | | 20 | | ns |
| t_{LZ} | Receiver Disable to Output | Figure 3, Figure 9 | | | 30 | | ns |
| t_{HZ} | Receiver Disable to Output | Figure 3, Figure 9 | | | 30 | | ns |
| t_{START} | Initial Start-Up Time | (Note 9) | | | 1200 | | ns |
| t_{TOF} | Data Time-Out Fault | (Note 9) | | | 1200 | | ns |
| | ST1, ST2 Duty Cycle | $0^\circ\text{C} \leq T_A \leq 70^\circ\text{C}$ $-40^\circ\text{C} \leq T_A \leq 85^\circ\text{C}$ | ● ● | | | 56 57 | % % |

Note 1: Absolute Maximum Ratings are those values beyond which the life of a device may be impaired.

Note 2: RS422 50 Ω specification based on RS485 27 Ω test.

Note 3: I_{IN} is tested at $V_{CC2} = 5\text{V}$, guaranteed by design from $\text{GND2} \leq V_{CC2} \leq 5.25\text{V}$.

Note 4: Input fault conditions on the RS485 receiver are detected with a fixed receiver offset. The offset is such that an input short or open will result in a high data output.

Note 5: The low voltage detect faults when V_{CC2} or V_{CC} drops below V_{UVL} and re-enables when greater than V_{UVH} . The fault can be monitored through the weak driver output on \overline{RE} .

Note 6: Value derived from 1 second test.

Note 7: The input signals are internally sampled and encoded. The internal sample rate determines the data output jitter since the internal sampling is asynchronous with respect to the external data. Nominally, a 4MHz internal sample rate gives 250ns of sampling uncertainty in the input signals.

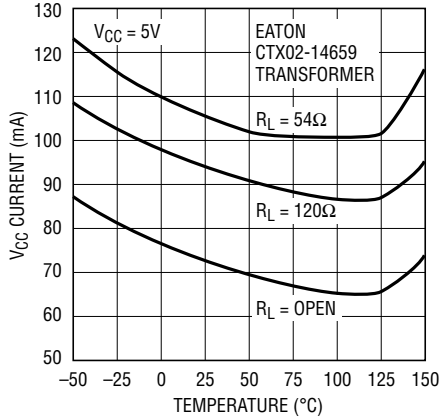
Note 8: The maximum baud rate is 250kBd with 10% sampling jitter. Lower baud rates have lower jitter.

Note 9: Start-up time is the time for communication to recover after a fault condition. Data time-out is the time a fault is indicated on \overline{RE} after data communication has stopped.

Note 10: I_{CC} measured with no load, ST1 and ST2 floating.

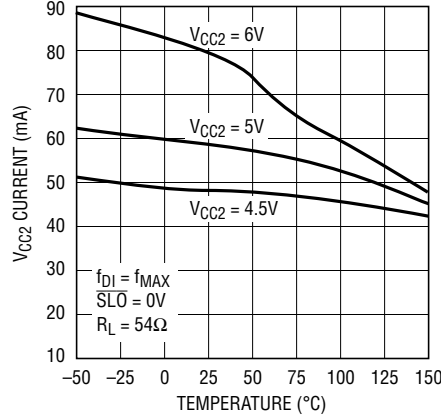
TYPICAL PERFORMANCE CHARACTERISTICS

V_{CC} Supply Current vs Temperature



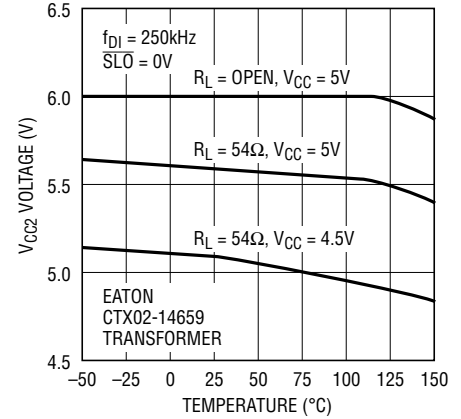
1535 G01

V_{CC2} Supply Current vs Temperature



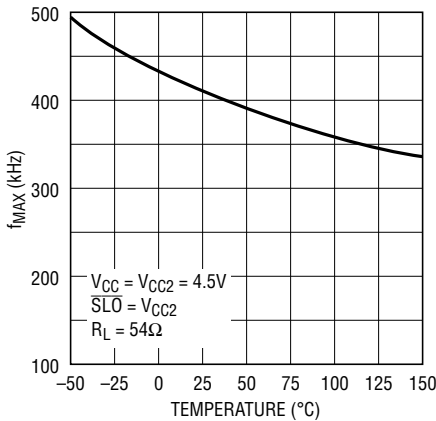
1535 G02

V_{CC2} Supply Voltage vs Temperature



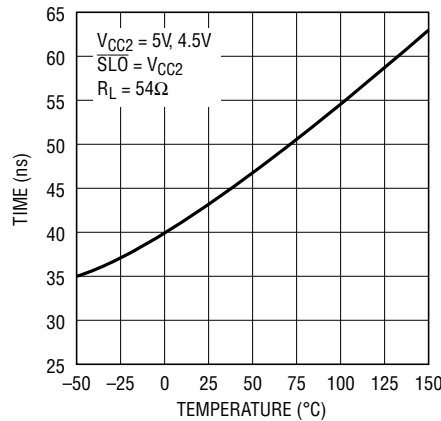
1535 G03

Maximum Baud Rate vs Temperature



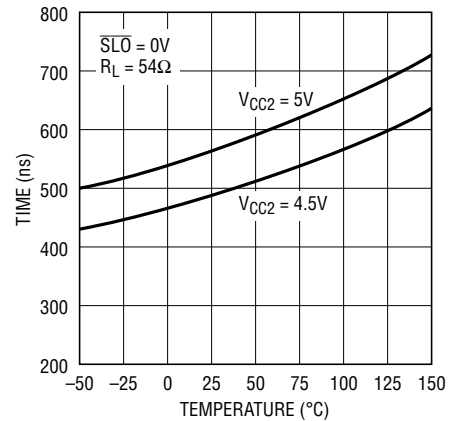
1535 G04

Driver Differential Output Rise/Fall Time vs Temperature



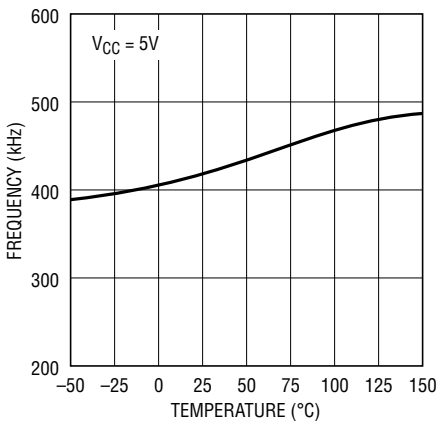
1535 G05

Driver Differential Output Rise/Fall Time vs Temperature



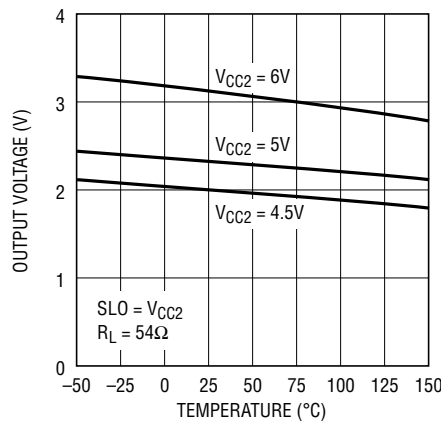
1535 G06

Switcher Frequency vs Temperature



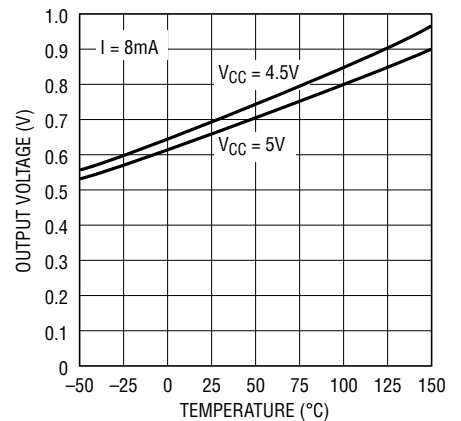
1535 G07

Driver Differential Output Voltage vs Temperature



1535 G08

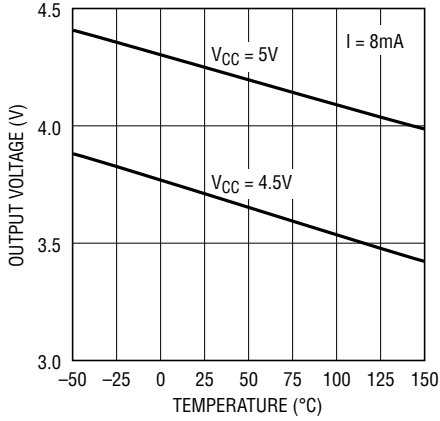
Receiver Output Low Voltage vs Temperature



1535 G09

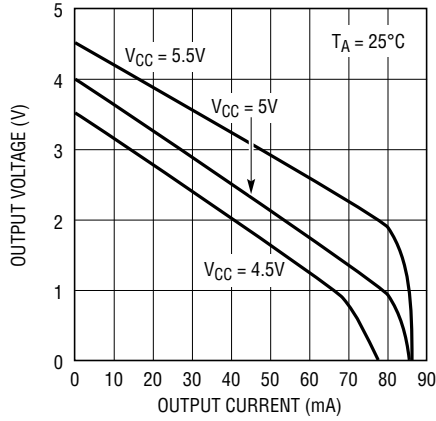
TYPICAL PERFORMANCE CHARACTERISTICS

Receiver Output High Voltage vs Temperature



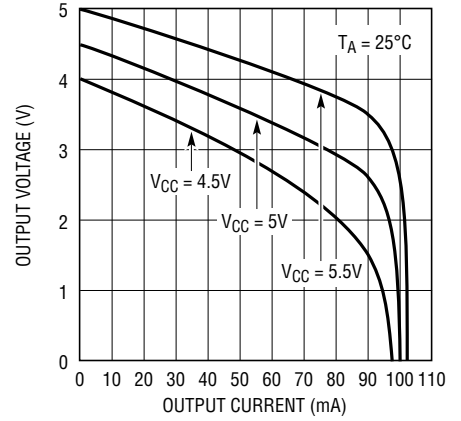
1535 G10

Driver Differential Output Voltage vs Output Current



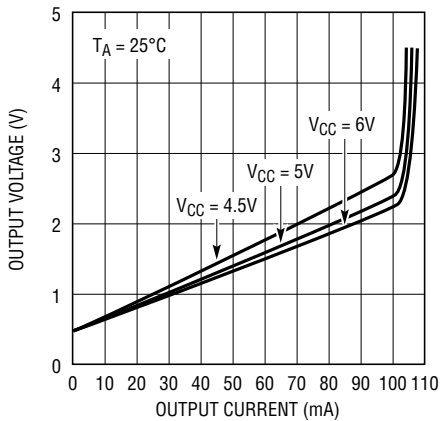
1535 G11

Driver Output High Voltage vs Output Current



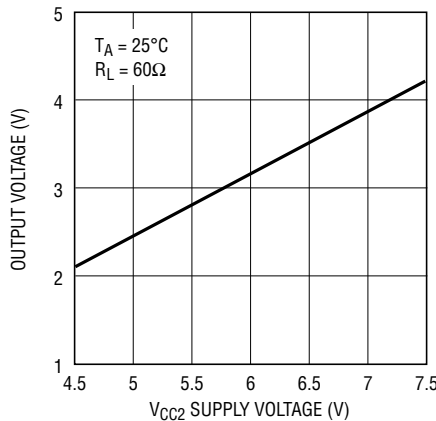
1535 G12

Driver Output Low Voltage vs Output Current



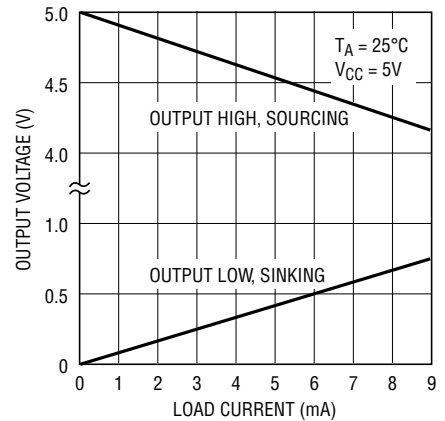
1535 G13

Driver Differential Output Voltage vs VCC2 Supply Voltage



1535 G14

Receiver Output Voltage vs Load Current



1535 G15

PIN FUNCTIONS

POWER SIDE

V_{CC} (Pin 1): 5V Supply. Bypass to GND with 10 μ F capacitor.

ST1 (Pin 2): DC Converter Output 1 to DC Transformer.

ST2 (Pin 3): DC Converter Output 2 to DC Transformer.

GND (Pin 4): Ground.

DI (Pin 25): Transmit Data TTL Input to the Isolated Side RS485 Driver. Do not float.

DE (Pin 26): Transmit Enable TTL Input to the Isolated Side RS485 Driver. A high level enables the driver. Do not float.

$\overline{\text{RE}}$ (Pin 27): Receive Data Output Enable TTL Input. A low level enables the receiver. This pin also provides a fault output signal. (See Figure 11.)

RO (Pin 28): Receive Data TTL Output.

ISOLATED SIDE

GND2 (Pin 11): Isolated Side Power Ground.

Z (Pin 12): Differential Driver Inverting Output.

Y (Pin 13): Differential Driver Noninverting Output.

V_{CC2} (Pin 14): 5V to 7.5V Supply from DC Transformer. Bypass to GND2 with 10 μ F capacitor.

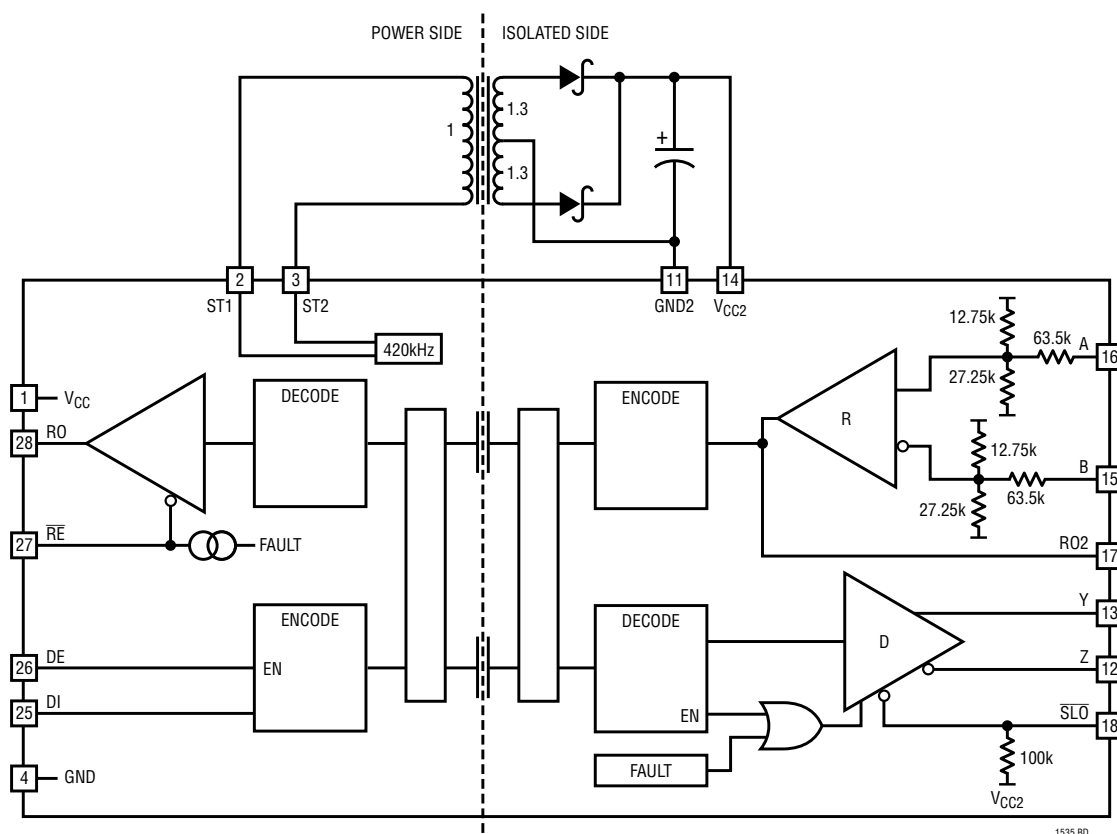
B (Pin 15): Differential Receiver Inverting Input.

A (Pin 16): Differential Receiver Noninverting Input.

RO2 (Pin 17): Isolated Side Receiver TTL Output. This output is always enabled and is unaffected by $\overline{\text{RE}}$.

$\overline{\text{SLO}}$ (Pin 18): Slow Slew Rate Control of RS485 Driver. A low level forces the driver outputs into slow slew rate mode.

BLOCK DIAGRAM



1535fc

TEST CIRCUIT

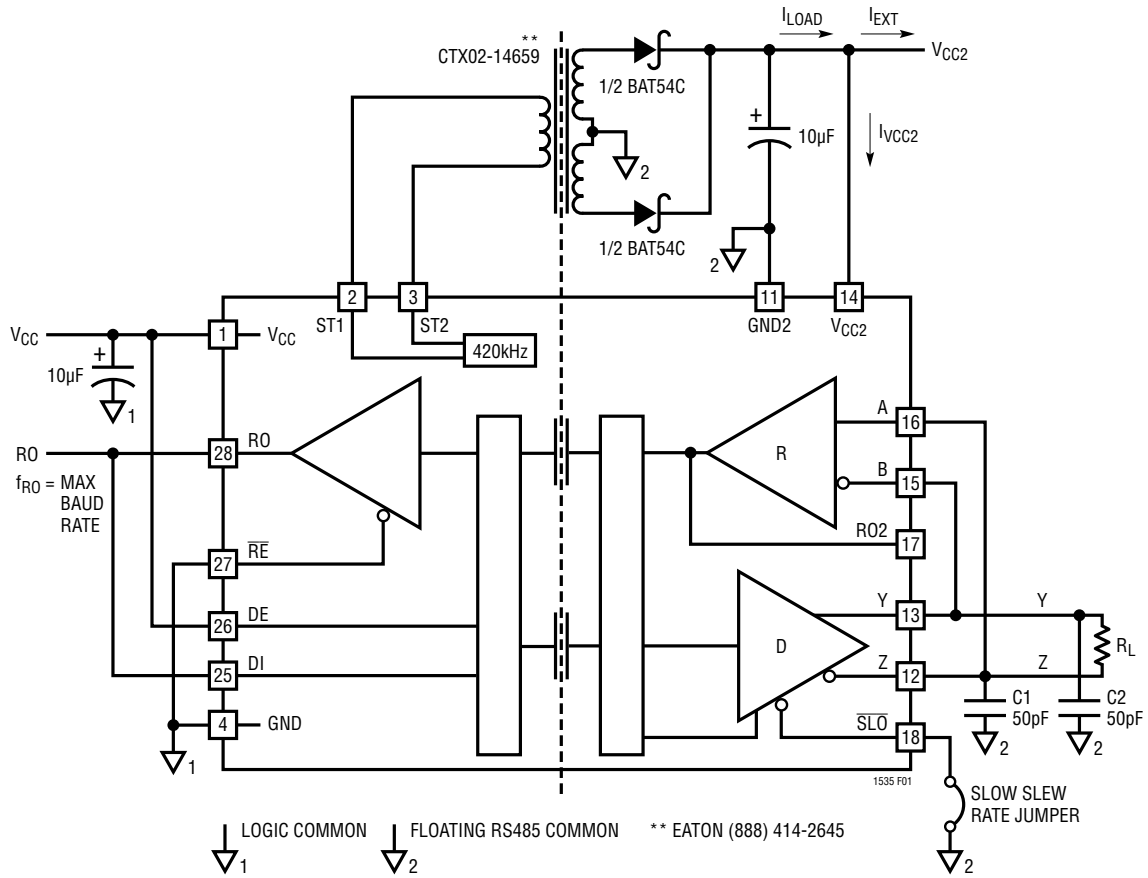


Figure 1. Self-Oscillation at Maximum Data Rate (Test Configuration for the First Six Typical Performance Characteristics Curves)

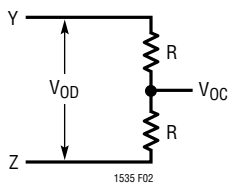


Figure 2. Driver DC Test Load

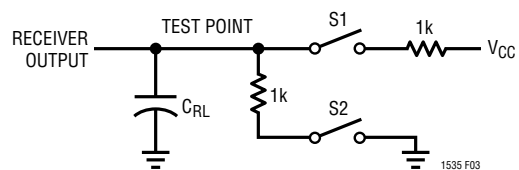


Figure 3. Receiver Timing Test Load

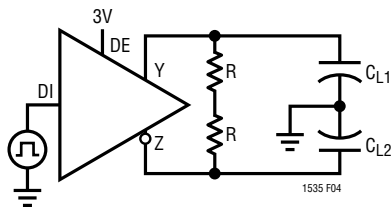


Figure 4. Driver Timing Test Circuit

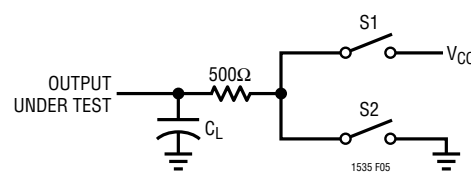


Figure 5. Driver Timing Test Load

SWITCHING TIME WAVEFORMS

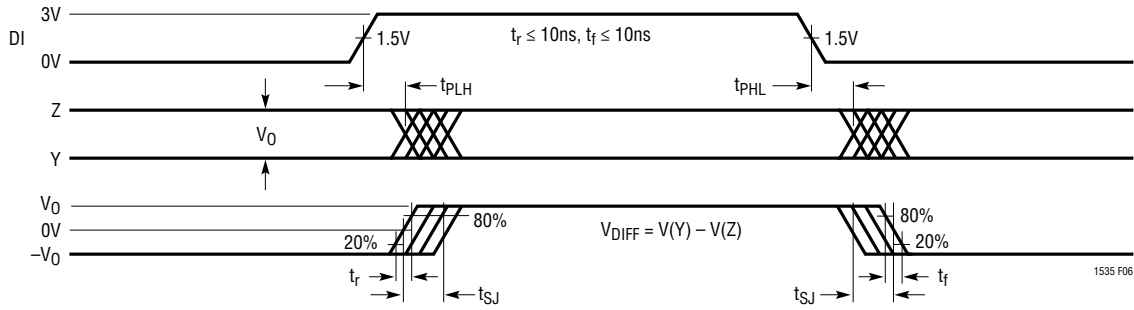


Figure 6. Driver Propagation Delays

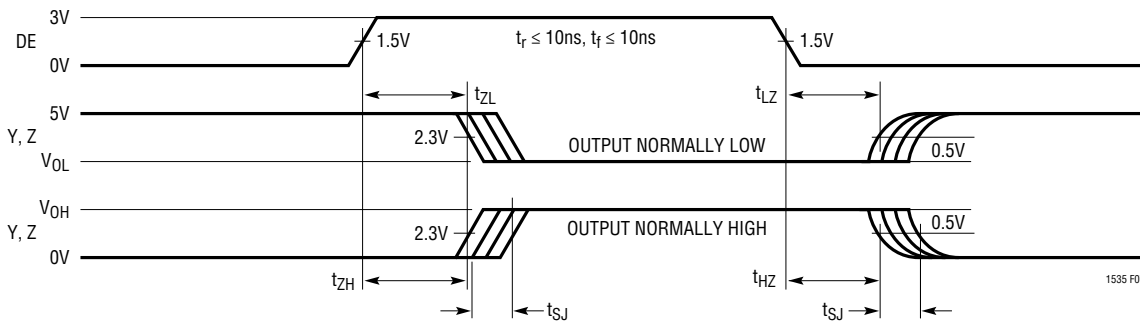


Figure 7. Driver Enable and Disable Times

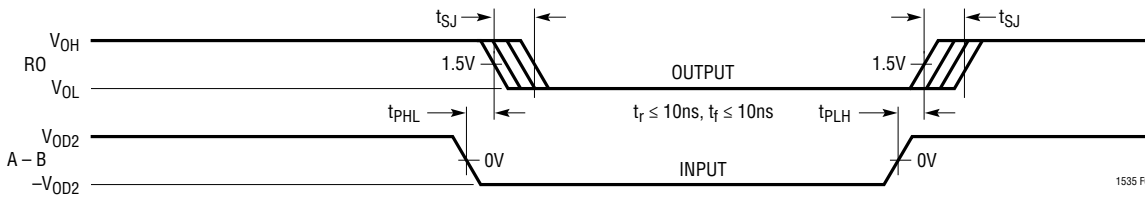


Figure 8. Receiver Propagation Delays

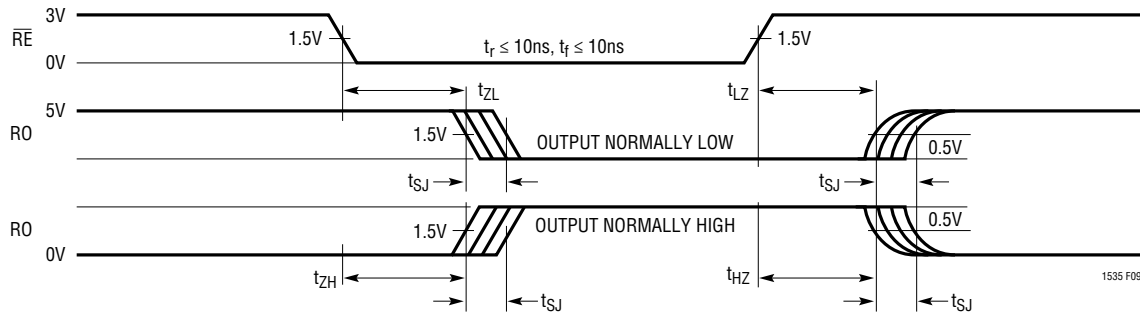


Figure 9. Receiver Enable and Disable Times

APPLICATIONS INFORMATION

Isolation Barrier and Sampled Communication

The LTC1535 uses the SW-28 isolated lead frame package to provide capacitive isolation barrier between the logic interface and the RS485 driver/receiver pair. The barrier provides 2500V_{RMS} of isolation. Communication between the two sides uses the isolation capacitors in a multiplexed way to communicate full-duplex data across this barrier (see Figure 20 and Block Diagram). The data is sampled and encoded before transmitting across the isolation barrier, which will add sampling jitter and delay to the signals (see Figures 13 and 14). The sampling jitter is approximately 250ns with a nominal delay of 600ns. At 250kBd rate, this represents 6.2% total jitter. The nominal DE signal to the driver output delay is 875ns ±125ns, which is longer due to the encoding. Communication start-up time is approximately 1µs to 2µs. A time-out fault will occur if communication from the isolated side fails. Faults can be monitored on the \overline{RE} pin.

The maximum baud rate can be determined by connecting in self-oscillation mode as shown in Figure 1. In this configuration, with $\overline{SLO} = V_{CC2}$, the oscillation frequency is set by the internal sample rate. With $\overline{SLO} = 0V$, the frequency is reduced by the slower output rise and fall times.

Push-Pull DC/DC Converter

The powered side contains a full-bridge open-loop driver, optimized for use with a single primary and center-tapped secondary transformer. Figure 10 shows the DC/DC converter in a configuration that can deliver up to 100mA of current to the isolated side using a Eaton CTX02-14659 transformer.

Because the DC/DC converter is open-loop, care in choosing low impedance parts is important for good regulation. Care must also be taken to not exceed the V_{CC2} recommended maximum voltage of 7.5V when there is very light loading. The isolated side contains a low voltage detect circuit to ensure that communication across the barrier will only occur when there is sufficient isolated supply voltage. If the output of the DC/DC converter is overloaded, the supply voltage will trip the low voltage detection at 4.2V. For higher voltage stand-off, the Eaton CTX02-14608 transformer may be used.

Table 1 lists examples of transformers which are suitable for use in the LTC1535's DC/DC converter using the circuit topology shown in Figure 10. While this secondary circuit topology is recommended, other secondary circuit topologies are possible which allows for different

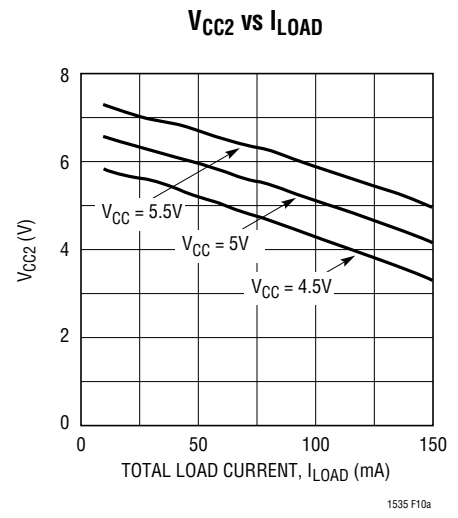
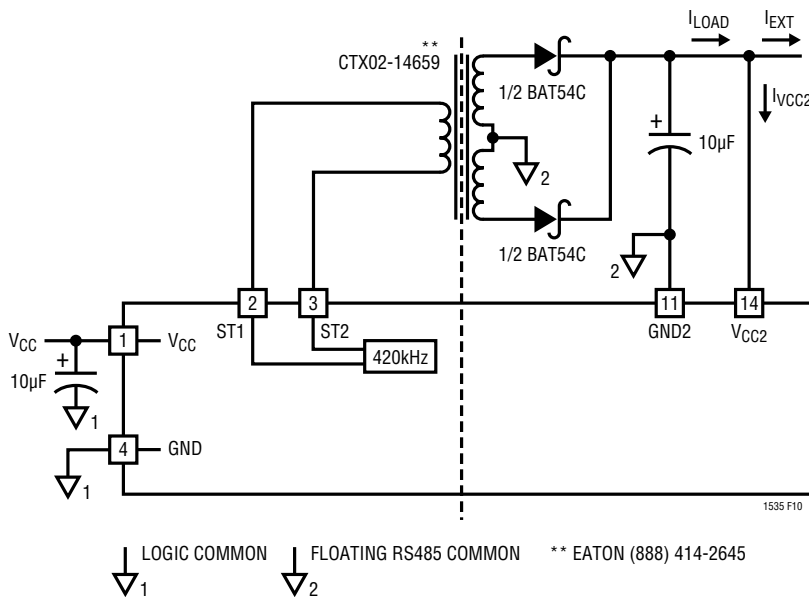


Figure 10

APPLICATIONS INFORMATION

transformer configurations. The DC/DC converter driver's Thévenin equivalent resistance is approximately 4Ω and the transformer's volt-second rating should be greater than $7\mu\text{Vs}$.

Driver Output and Slow Slew Rate Control

The LTC1535 uses a proprietary driver output stage that allows a common mode voltage range that extends beyond the power supplies. Thus, the high impedance state is maintained over the full RS485 common mode range. The output stage provides 100mA of short-circuit current limiting in both the positive and negative directions. Thus, even under short-circuit conditions, the supply voltage from the open-loop DC converter will remain high enough for proper communication across the isolation barrier. The driver output will be disabled in the event of a thermal shutdown and a fault condition will be indicated through the $\overline{\text{RE}}$ weak output.

The CMOS level $\overline{\text{SLO}}$ pin selects slow or fast slew rates on the RS485 driver output (see Figures 15, 16, 17, 18 for typical waveforms). The $\overline{\text{SLO}}$ input has an internal 100k pull-up resistor. When $\overline{\text{SLO}}$ is low, the driver outputs are slew rate limited to reduce high frequency edges. Left open or tied high, $\overline{\text{SLO}}$ defaults to fast edges. The part draws more current during slow slew rate edges.

Monitoring Faults on $\overline{\text{RE}}$

The $\overline{\text{RE}}$ pin can be used to monitor the following fault conditions: low supply voltages, thermal shutdown or a time-out fault when there is no data communication across the barrier. During a fault, the receiver output, RO, defaults to a high state (see Table 2). Open circuit or short-circuit conditions on the twisted pair do not cause a fault indication. However, the RS485 receiver defaults to a high output state when the receiver input is open or short-circuited.

The $\overline{\text{RE}}$ pin has a weak current drive output mode for indicating fault conditions. This fault state can be polled using a bidirectional microcontroller I/O line or by using the circuit in Figure 11, where the control to $\overline{\text{RE}}$ is three-stated and the fault condition read back from the $\overline{\text{RE}}$ pin. The weak drive has 100 μA pull-up current to indicate a fault and 50 μA pull-down current for no fault. This allows the $\overline{\text{RE}}$ pin to be polled without disabling $\overline{\text{RE}}$ on nonfault conditions.

Both sides contain a low voltage detect circuit. A voltage less than 4.2V on the isolated side disables communication.

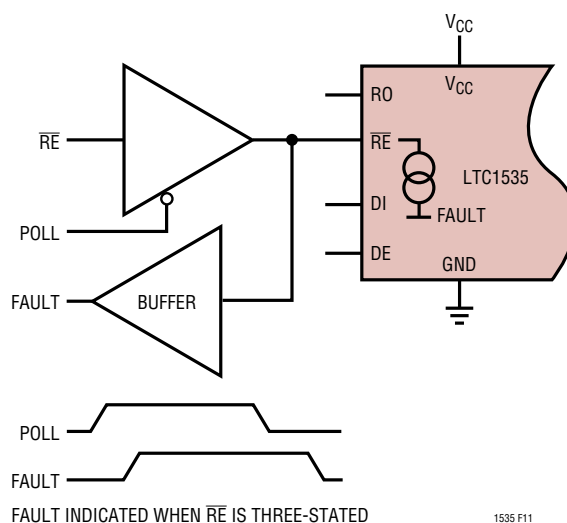


Figure 11. Detecting Fault Conditions

APPLICATIONS INFORMATION

Table 1. Examples of Transformers Compatible with the LTC1535

| MANUFACTURER | PART NUMBER | DC ISOLATION VOLTAGE (1 SECOND) | PHONE NUMBER/WEBSITE |
|------------------------|------------------------------|------------------------------------|--|
| WE-Midcom | 750311542 | 1.25kV | (800) 643-2661 http://www.we-online.com |
| | 750031160 31160R | 1.25kV | |
| | 760390014 | 3.125kVAC | |
| | 750313638 | 6.25kVAC | |
| Eaton | CTX02-14659 CTX02-14659-R | 500V | (888) 414-2645 |
| | CTX02-14608 | 3.75kVAC | |
| Murata Power Solutions | 78253/55JC | 1.5kV | http://www.murata-ps.com |
| | 78253/55JVC | 4kV | |
| Mintronix | 4810796R | 3kVAC | (605) 884-0195 http://mintronix.com/ |
| Pulse Electronics | P1597NL | 500V | http://www.pulseelectronics.com/ |
| | PH9085.034NL | 2.5kV | |
| Sumida (Japan) | S-167-5779 | 100V | 03-3667-3320 http://www.sumida.com/ |

Table 2. Fault Mode Behavior

| FUNCTION (PINS) | $V_{CC} > V_{UVH}$ $V_{CC2} > V_{UVH}$ | $V_{CC} < V_{UVL}$ $V_{CC2} > V_{UVH}$ | $V_{CC} > V_{UVH}$ $V_{CC2} < V_{UVL}$ | $V_{CC} < V_{UVL}$ $V_{CC2} > V_{UVL}$ | THERMAL SHUTDOWN |
|---|---|---|---|---|---------------------|
| DC/DC Converter (2, 3) | On | On | On | On | Off |
| RO (28) | $\overline{RE} = 0V$ | Active | Forced-High | Forced-High | Forced-High |
| | $\overline{RE} = V_{CC}$ | Hi-Z | Hi-Z | Hi-Z | Hi-Z |
| | $\overline{RE} = \text{Floating}$ | Active | Hi-Z | Hi-Z | Hi-Z |
| RO2 (17) | Active | Active | Active | Active | Active |
| Driver Outputs Y and Z (13, 12) | Active | Hi-Z | Hi-Z | Hi-Z | Hi-Z |
| Communications Across Isolation Barrier | Active | Disabled | Disabled | Disabled | Disabled |
| Fault Indicator on \overline{RE} (27) | Low | High | High | High | High |

Table 3. Driver Function Table

| INPUTS | | | OUTPUTS | |
|-----------------|----|----|---------|---|
| \overline{RE} | DE | DI | Y | Z |
| X | 1 | 1 | 1 | 0 |
| X | 1 | 0 | 0 | 1 |
| X | 0 | X | Z | 2 |

Note: Z = high impedance, X = don't care

Table 4. Receiver Function Table

| INPUTS | | | OUTPUTS | |
|-----------------|----|--------------------|---------|-----|
| \overline{RE} | DE | A-B | RO | RO2 |
| 0 | X | $\geq V_{TH(MAX)}$ | 1 | 1 |
| 0 | X | $\leq V_{TH(MIN)}$ | 0 | 0 |
| 0 | X | Inputs Open | 1 | 1 |
| 0 | X | Inputs Shorted | 1 | 1 |
| 1 | X | $\geq V_{TH(MAX)}$ | Z | 1 |
| 1 | X | $\leq V_{TH(MIN)}$ | Z | 0 |
| 1 | X | Inputs Open | Z | 1 |
| 1 | X | Inputs Shorted | Z | 1 |

Note: Z = high impedance, X = don't care

APPLICATIONS INFORMATION

High Voltage Considerations

The LTC1535 eliminates ground loops on data communication lines. However, such isolation can bring potentially dangerous voltages onto the circuit board. An example would be accidental faulting to 117V AC at some point on the cable which is then conducted to the PC board. Figure 12 shows how to detect and warn the user or installer that a voltage fault condition exists on the twisted pair or its shield. A small (3.2mm) glow lamp is connected between GND2 (the isolated ground) and the equipment's safety "earth" ground. If a potential of more than 75V AC is present on the twisted pair or shield, B1 will light, indicating a wiring fault. Resistors R3 and R4 are used to ballast the current in B1. Two resistors are necessary because they can only stand off 200V each, as well as for power dissipation. As shown, the circuit can withstand a direct fault to a 440V 3-phase system.

Other problems introduced by floating the twisted pair include the collection of static charge on the twisted pair, its shield and the attached circuitry. Resistors R1

and R2 provide a path to shunt static charge safely to ground. Again, two resistors are necessary to withstand high voltage faults. Electrostatic spikes, electromagnetically induced transients and radio frequency pickup are shunted by addition capacitor C1.

Receiver Inputs Fail-Safe

The LTC1535 features an input common mode range covering the entire RS485 specified range of $-7V$ to $12V$. Differential signals of greater than $\pm 200mV$ within the specified input common mode range will be converted to TTL compatible signals at the receiver outputs, RO and RO2. A small amount of input hysteresis is included to minimize the effects of noise on the line signals. If the receiver inputs are floating or shorted, a designed-in receiver offset guarantees a fail-safe logic high at the receiver outputs. If a fail-safe logic low is desired, connect as shown in Figure 19.

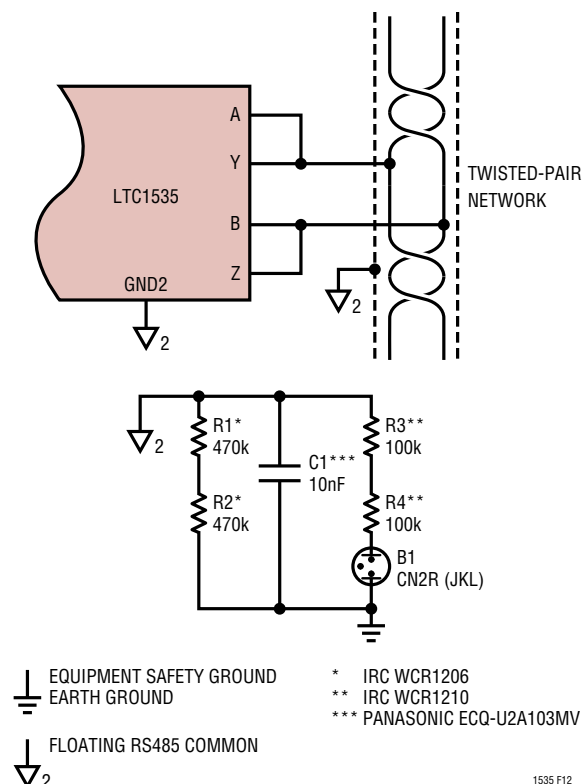
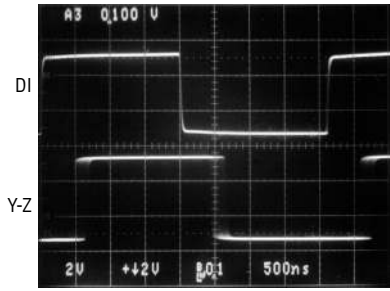


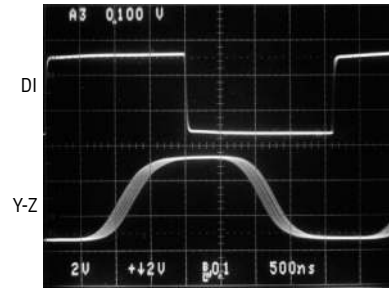
Figure 12. Detecting Fault Conditions

APPLICATIONS INFORMATION



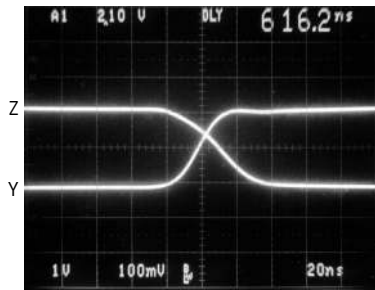
1535 F13

Figure 13. Driver Propagation Delay with Sample Jitter. $SLO = V_{CC2}$



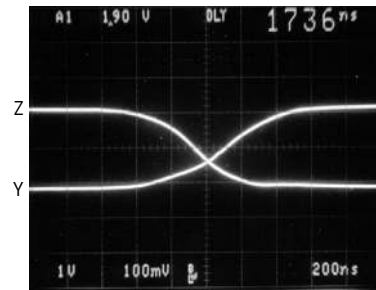
1535 F14

Figure 14. Driver Propagation Delay with Sample Jitter. $SLO = 0V$



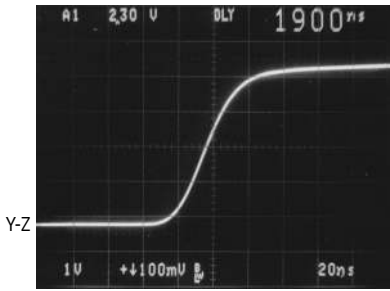
1535 F15

Figure 15. Driver Output. $R = 27\Omega$, $V_{CC2} = 5V$, $SLO = V_{CC2}$



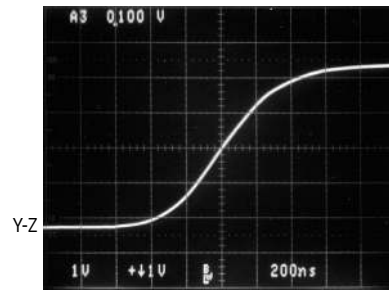
1535 F16

Figure 16. Driver Output. $R = 27\Omega$, $V_{CC2} = 5V$, $SLO = 0V$



1535 F17

Figure 17. Driver Differential Output. $R = 27\Omega$, $V_{CC2} = 5V$, $SLO = V_{CC2}$



1535 F18

Figure 18. Driver Differential Output. $R = 27\Omega$, $V_{CC2} = 5V$, $SLO = 0V$

TYPICAL APPLICATION

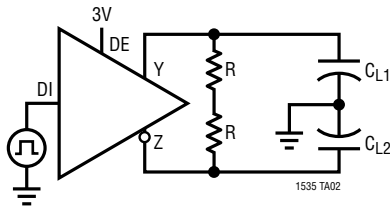
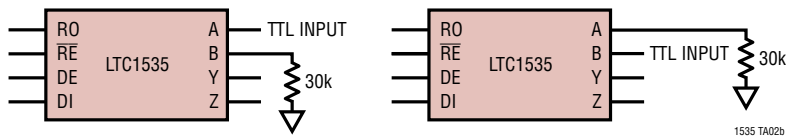


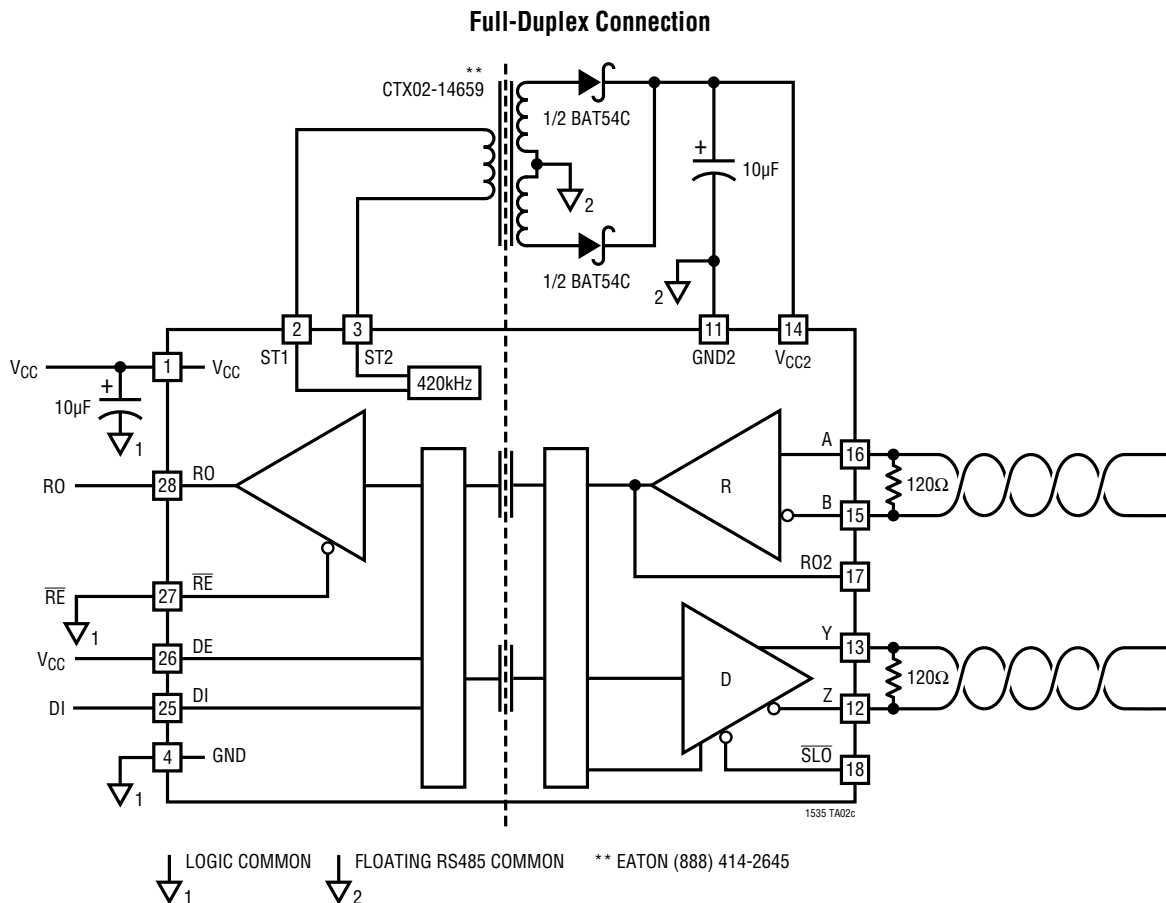
Figure 19. Fail-Safe Logic "0"



(20a) Noninverting

(20b) Inverting

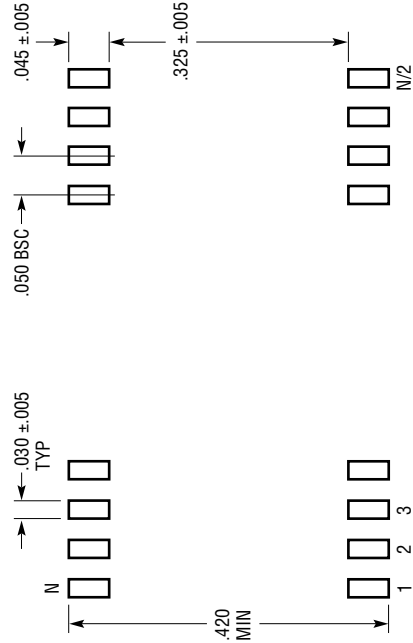
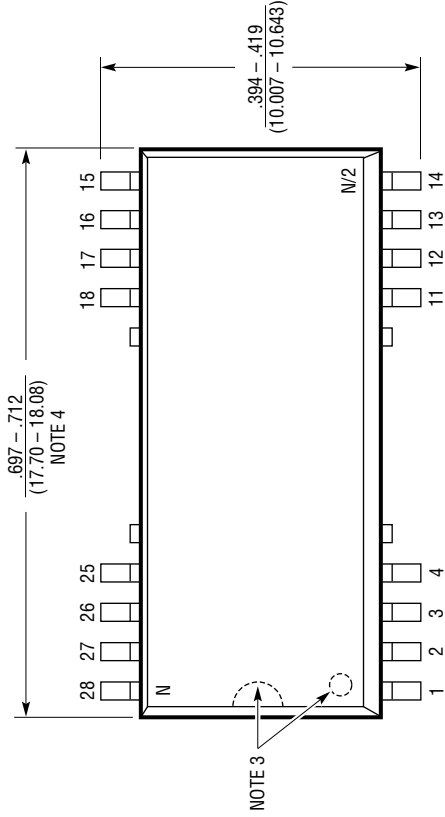
Figure 20. Configuring Receiver for TTL Level Input. Y and Z Outputs Are TTL Compatible with No Modification



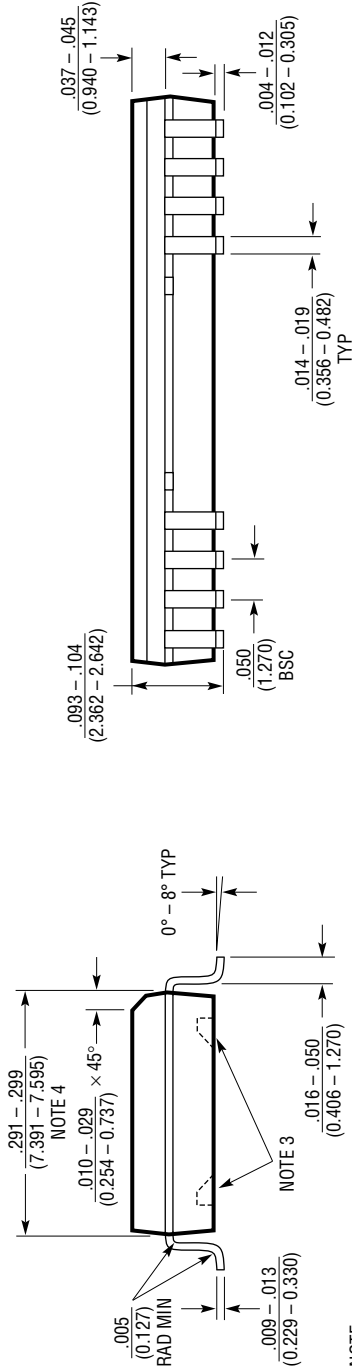
PACKAGE DESCRIPTION

Please refer to <http://www.linear.com/product/LTC1535#packaging> for the most recent package drawings.

SW Package
Variation: SW28(16)
28-Lead Plastic Small Outline (Wide .300 Inch)
 (Reference LTC DWG # 05-08-1690 Rev A)



RECOMMENDED SOLDER PAD LAYOUT



S28 (WIDE) REV A 0915

- NOTE:
1. DIMENSIONS IN INCHES (MILLIMETERS)
 2. DRAWING NOT TO SCALE
 3. PIN 1 IDENT. NOTCH ON TOP AND CAVITIES ON THE BOTTOM OF PACKAGES ARE THE MANUFACTURING OPTIONS. THE PART MAY BE SUPPLIED WITH OR WITHOUT ANY OF THE OPTIONS
 4. THESE DIMENSIONS DO NOT INCLUDE MOLD FLASH OR PROTRUSIONS. MOLD FLASH OR PROTRUSIONS SHALL NOT EXCEED .006" (0.15mm)

REVISION HISTORY (Revision history begins at Rev B)

| REV | DATE | DESCRIPTION | PAGE NUMBER |
|-----|-------|--|------------------------|
| B | 12/09 | Update Manufacturer's Information on Typical Application and Figure 10 | 1, 10 |
| | | Revise Receiver Input Hysteresis Conditions | 3 |
| | | Revise Block Diagram | 7 |
| | | Revise Figure 1. | 8 |
| | | Update Tables 1 and 3 | 12 |
| C | 8/17 | Updated External Transformer Recommendations | 1, 5, 8, 10, 12, 15 |

