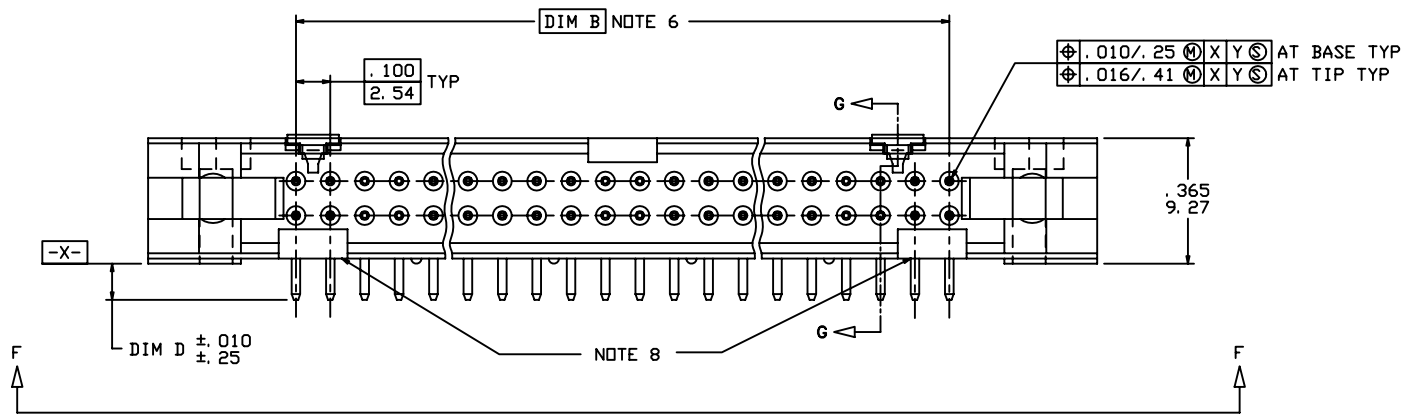
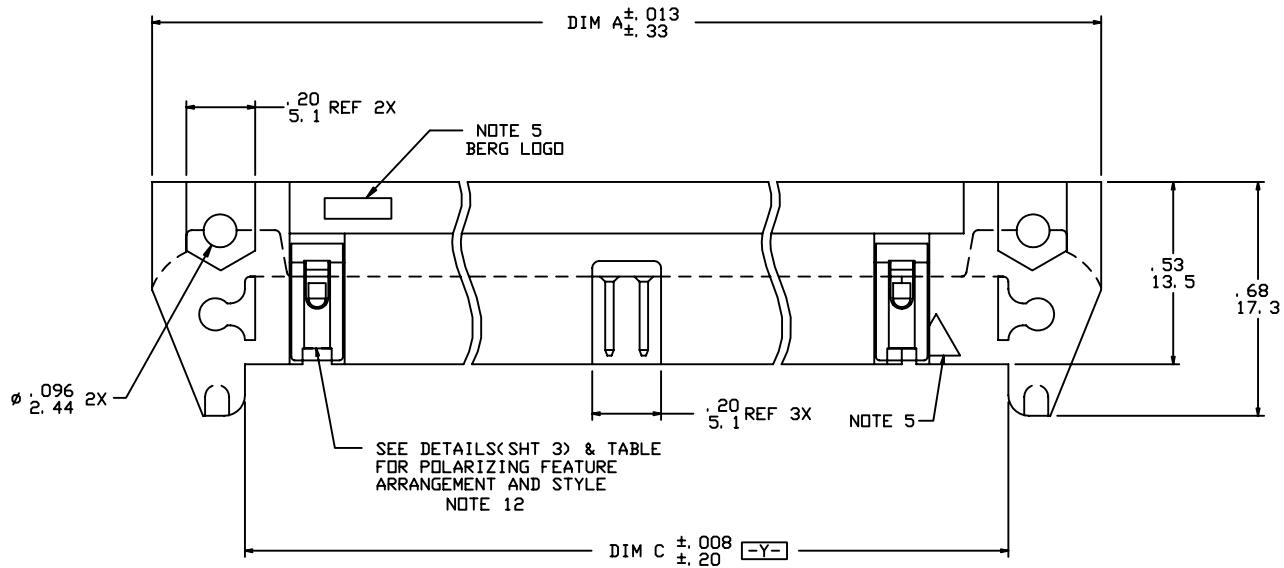


Tous droits strictement reserves. Reproduction ou communication a des tiers interdite sous quelque forme que ce soit sans autorisation écrite du propriétaire. Propriete de c FCI. Droits de reproduction FCI.

All rights strictly reserved. Reproduction or issue to third parties in any form whatever is not permitted without written authority from the proprietor. Property of FCI. Copyright FCI.

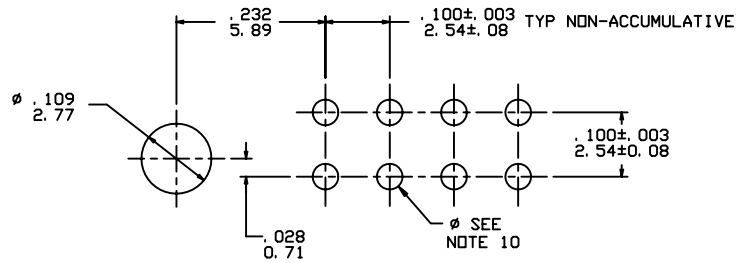


mat'l. code				tolerances unless otherwise specified				CUSTOMER COPY		FCI www.fciconnect.com											
ltr	ecn no	dr	date	linear	.XX±.01/.X±.3				projection ⊕ ↗	title HEADER, QUICKIE SEA, HORSE, RIGHT ANGLE											
D	N05-0130	ZC	5/20/05		.XXX±.005/.XX±.13																
E	N07-0151	WG	08/01/07	angles	.XXXX±.0020/.XXX±.051				product family QUICKIE												
				dr	0°±2'				code -												
				enr	J. SHREINER	1/16/90				size -											
				chr	M. SMYK	1/16/90				sheet 1 of 20											
				appd	M. SMYK	1/16/90				A 67916											
sheet index	revision sheet	E	E	E	E	E	E	E	E	E	E	E	E	E	E	E	E	E	E		
		1	2	3	4	5	6	7	8	9	10	11	12	13	14	15	16	17	18	19	20

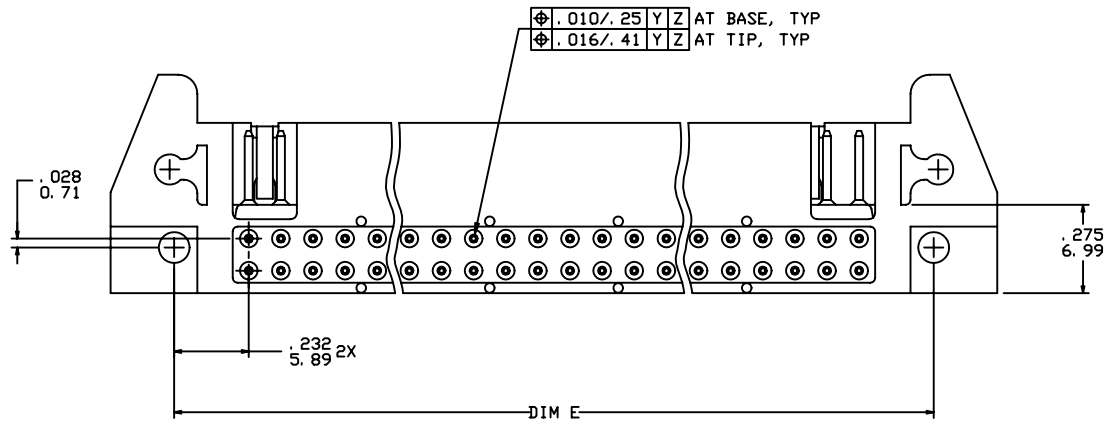
PDM: Rev:E

3 STATUS Released

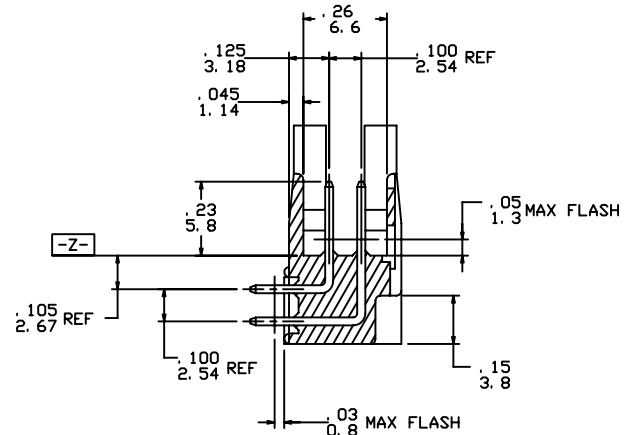
Printed: Apr 12, 2011⁴



RECOMMENDED HOLE PATTERN
SCALE 10:1

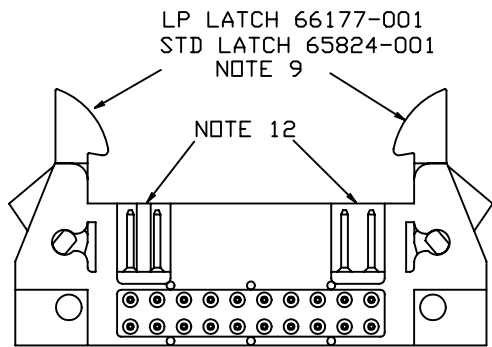


VIEW F-F

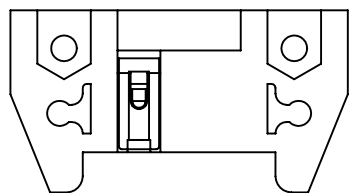


SECTION G-G
ROTATED 90° CW

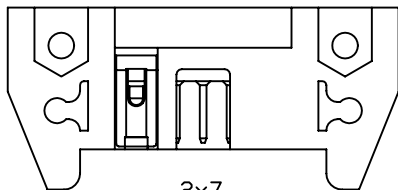
mat'l. code				tolerances unless otherwise specified			CUSTOMER COPY		FCI www.fciconnect.com		
ltr	ecn no	dr	date	linear	.XX±.01/.X±.3		projection	title HEADER, QUICKIE SEA, HORSE, RIGHT ANGLE			
E					.XXX±.005/.XX±.13						
					.XXX±.0020/.XXX±.051						
				angles	0°±2°		INCH/MM	product family QUICKIE		code	
				dr	J. SHREINER	1/16/90		scale 5:1	product family QUICKIE		code
				enr	M. SMYK	1/16/90	A		product family QUICKIE		code
				chr	M. SMYK	1/16/90			A	product family QUICKIE	
				appd	M. SMYK	1/16/90	A			product family QUICKIE	
sheet index	revision sheet								product family QUICKIE		code
								product family QUICKIE		code	



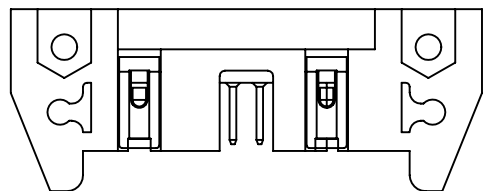
HEADER WITH LATCHES



2x5
STYLE B



2x7
STYLE C



2x8 THRU 2x30
(2x10 SHOWN)
STYLE D

NOTES:


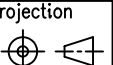
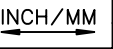
- ① RECOMMENDED MOUNTING SCREW SIZE: #2-56 FILLISTER HD MACH SCREW.
- ② MOLDING MATERIAL: 30% GLASS FILLED POLYESTER, FLAME RETARDANT PER UL-94V-0, COLOR-BLUE
- ③ PIN MAT'L: 3/4 HARD PHOS BRONZE ALLOY UNS C-51000.
4. 1° MAX DRAFT PERMISSIBLE ON ALL SURFACES UNLESS OTHERWISE SPECIFIED.
- ⑤ LOGO AND TRIANGLE LOCATION TO BE OPTIONAL.
- ⑥ [DIM B] SHALL BE LOCATED SYMMETRICAL TO DATUM -Y-.
7. PLATING ON LEAD-IN PORTION OF PINS IS MANUFACTURING OPTION.
- ⑧ THESE SLOTS DO NOT EXIST ON 2 X 5 AND 2 X 7 SIZES.
- ⑨ THE LATCHES THAT ARE INSTALLED IN SOME HEADERS MUST WITHSTAND A PUSHOUT FORCE OF 2.0 LBS MIN WHILE IN THE INSTALLATION POSITION.
- 10 .040±.003/ 1.02±.08 DIA. HOLE TYP FOR SQ PINS. .035±.003/.89±.08 DIA HOLE TYP FOR ROUND PINS.
- 11 RETENTION FEATURE AVAILABLE ON ROUND PIN P/N'S ONLY. RETENTION PIN INCLUDE THE LETTER "R" AFTER THE EXISTING P/N.
EXAMPLE: 67916-XXX FOR EXISTING P/N
67916-XXXR FOR RETENTION P/N
15 LBS/6.8 KG MAX INSERTION AND .25 LB/ .1 KG MIN RETENTION FORCE WHEN USED IN .035±.003/.89±.08 DIA HOLES AND .062/1.57 THICK PC BOARD. RETENTION FEATURE LOCATION IS MANUFACTURERS OPTION.
- 10 .040±.003/ 1.02±.08 DIA. HOLE TYP FOR SQ PINS. .035±.003/.89±.08 DIA HOLE TYP FOR ROUND PINS.
12. THE HOUSING OF XXXXX-YYLF WILL WITHSTAND EXPOSURE TO 260°C PEAK TEMPERATURE FOR 10 SECONDS IN A WAVE SOLDER PROCESS.
13. PLATING OPTION: MAYBE EITHER GLOD OR GXT PLATING AT MANUFACTURER'S OPTION

mat'l. code				tolerances unless otherwise specified		CUSTOMER COPY		 www.fciconnect.com		
ltr	ecn no	dr	date	linear	.XX±.01/.X±.3		projection	title		
E					.XXX±.005/.XX±.13				HEADER, QUICKIE	
					.XXX±.0020/.XXX±.051				SEA, HORSE, RIGHT ANGLE	
				angles	0°±2°			product family		
				dr	J. SHREINER	7/16/90		QUICKIE		
				enrg	M. SMYK	7/16/90	code			
				chr	M. SMYK	7/16/90	-			
				appd	M. SMYK	7/16/90	sheet			
sheet index		revision sheet		scale		5:1		A 67916		
								3 of 20		

Tous droits strictement reserves. Reproduction ou communication a des tiers interdite sous quelque forme que ce soit sans autorisation ecrite du proprietaire. Propriete de c FCI. Droits de reproduction FCI.

All rights strictly reserved. Reproduction or issue to third parties in any form whatever is not permitted without written authority from the proprietor. Property of FCI. Copyright FCI.

PRODUCT NO.	SIZE	LATCHES NOTE 9	PIN SHAPE	DIM A	DIM B	DIM C	DIM D	DIM E	TERMINAL PLATING NOTE 13	STYLE
67916-001(LF)									UNASSIGNED	
-002(LF)									UNASSIGNED	
-003(LF)									UNASSIGNED	
-004(LF)									UNASSIGNED	
-005(LF)									UNASSIGNED	
-006(LF)									UNASSIGNED	
-007(LF)	2x7	NO	RND	1.46/37.08	.600/15.24	.920/23.37	.105/2.67	1.06/26.92	30u"/.76u Au OVER 50U"/1.27u Ni	C
-008(LF)	↑	↑	SQ	↑	↑	↑	.105/2.67	↑	150u"/3.81u Sn	↑
-009(LF)	↑	↑	RND	↑	↑	↑	.150/3.81	↑	30u"/.76u Au OVER 50U"/1.27u Ni	↑
-010(LF)	↑	↑	SQ	↑	↑	↑	.150/3.81	↑	150u"/3.81u Sn	↑
-011(LF)	↓	↓	SQ	↓	↓	↓	.675/17.15	↓	30u"/.76u Au OVER 50U"/1.27u Ni	↓
-012(LF)	2x7		SQ	1.46/37.08	.600/15.24	.920/23.37	.675/17.15	1.06/26.92	150u"/3.81u Sn	C
-013(LF)	2x8		RND	1.56/39.62	.700/17.78	1.020/25.91	.105/2.67	1.16/29.46	30u"/.76u Au OVER 50U"/1.27u Ni	D
-014(LF)	↑	↑	SQ	↑	↑	↑	.105/2.67	↑	150u"/3.81u Sn	↑
-015(LF)	↑	↑	RND	↑	↑	↑	.150/3.81	↑	30u"/.76u Au OVER 50U"/1.27u Ni	↑
-016(LF)	↑	↑	SQ	↑	↑	↑	.150/3.81	↑	150u"/3.81u Sn	↑
-017(LF)	↓	↓	SQ	↓	↓	↓	.675/17.15	↓	30u"/.76u Au OVER 50U"/1.27u Ni	↓
-018(LF)	2x8		SQ	1.56/39.62	.700/17.78	1.020/25.91	.675/17.15	1.16/29.46	150u"/3.81u Sn	
-019(LF)	2x10		RND	1.76/44.70	.900/22.86	1.220/30.99	.105/2.67	1.36/34.54	30u"/.76u Au OVER 50U"/1.27u Ni	
-020(LF)	↑	↑	SQ	↑	↑	↑	.105/2.67	↑	150u"/3.81u Sn	
-021(LF)	↑	↑	RND	↑	↑	↑	.150/3.81	↑	30u"/.76u Au OVER 50U"/1.27u Ni	
-022(LF)	↓	↓	SQ	↓	↓	↓	.150/3.81	↓	150u"/3.81u Sn	
-023(LF)	↓	↓	SQ	↓	↓	↓	.675/17.15	↓	30u"/.76u Au OVER 50U"/1.27u Ni	
-024(LF)	2x10		SQ	1.76/44.70	.900/22.86	1.220/30.99	.675/17.15	1.36/34.54	150u"/3.81u Sn	
-025(LF)	2x13		RND	2.06/52.32	1.200/30.48	1.520/38.61	.105/2.67	1.66/42.16	30u"/.76u Au OVER 50U"/1.27u Ni	
-026(LF)	↑	↑	SQ	↑	↑	↑	.105/2.67	↑	150u"/3.81u Sn	
-027(LF)	↑	↑	RND	↑	↑	↑	.150/3.81	↑	30u"/.76u Au OVER 50U"/1.27u Ni	
-028(LF)	↑	↑	SQ	↑	↑	↑	.150/3.81	↑	150u"/3.81u Sn	
-029(LF)	↑	↑	SQ	↑	↑	↑	.675/17.15	↑	30u"/.76u Au OVER 50U"/1.27u Ni	
-030(LF)	2x13		SQ	2.06/52.32	1.200/30.48	1.520/38.61	.675/17.15	1.66/42.16	150u"/3.81u Sn	
-031(LF)	2x17		RND	2.46/62.48	1.600/40.64	1.920/48.77	.105/2.67	2.06/52.32	30u"/.76u Au OVER 50U"/1.27u Ni	
-032(LF)	↑	↑	SQ	↑	↑	↑	.105/2.67	↑	150u"/3.81u Sn	
-033(LF)	↑	↑	RND	↑	↑	↑	.150/3.81	↑	30u"/.76u Au OVER 50U"/1.27u Ni	
-034(LF)	↑	↑	SQ	↑	↑	↑	.150/3.81	↑	150u"/3.81u Sn	
-035(LF)	↓	↓	SQ	↓	↓	↓	.675/17.15	↓	30u"/.76u Au OVER 50U"/1.27u Ni	
67916-036(LF)	2x17	NO	SQ	2.46/62.48	1.600/40.64	1.920/48.77	.675/17.15	2.06/52.32	150u"/3.81u Sn	D

mat'l. code		tolerances unless otherwise specified		CUSTOMER COPY		 www.fciconnect.com	
ltr	ecn no	dr	date	linear	.XX±.01/.X±.3	projection	
E					.XXX±.005/.XX±.13		
				angles	0°±2'		product family QUICKIE
				dr	J. SHREINER 7/16/90		
				enr	M. SMYK 7/16/90	sheet 4 of 20	
				chr	M. SMYK 7/16/90		A 67916
				appd	M. SMYK 7/16/90		
sheet index	revision sheet						

Tous droits strictement reserves. Reproduction ou communication a des tiers interdite sous quelque forme que ce soit sans autorisation ecrite du proprietaire. Propriete de c FCI. Droits de reproduction FCI.



All rights strictly reserved. Reproduction or issue to third parties in any form whatever is not permitted without written authority from the proprietor. Property of FCI. Copyright FCI.

PRODUCT NO.	SIZE	LATCHES NOTE 9	PIN SHAPE	DIM A	DIM B	DIM C	DIM D	DIM E	TERMINAL PLATING NOTE 13	STYLE
67916-037 (LF)	2x20	NO	RND	2.76/70.10	1.900/48.26	2.220/56.39	.105/2.67	2.36/59.94	30u"/.76u Au OVER 50U"/1.27u Ni	D
-038 (LF)			SQ				.105/2.67		150u"/3.81u Sn	
-039 (LF)			RND				.150/3.81		30u"/.76u Au OVER 50U"/1.27u Ni	
-040 (LF)			SQ				.150/3.81		150u"/3.81u Sn	
-041 (LF)			SQ				.675/17.15		30u"/.76u Au OVER 50U"/1.27u Ni	
-042 (LF)	2x20		SQ	2.76/70.10	1.900/48.26	2.220/56.39	.675/17.15	2.36/59.94	150u"/3.81u Sn	
-043 (LF)	2x25		RND	3.26/82.80	2.400/60.96	2.720/69.09	.105/2.67	2.86/72.64	30u"/.76u Au OVER 50U"/1.27u Ni	
-044 (LF)			SQ				.105/2.67		150u"/3.81u Sn	
-045 (LF)			RND				.150/3.81		30u"/.76u Au OVER 50U"/1.27u Ni	
-046 (LF)			SQ				.150/3.81		150u"/3.81u Sn	
-047 (LF)			SQ				.675/17.15		30u"/.76u Au OVER 50U"/1.27u Ni	
-048 (LF)	2x25	NO	SQ	3.26/82.80	2.400/60.96	2.720/69.09	.675/17.15	2.86/72.64	150u"/3.81u Sn	D
-049 (LF)							UNAVAILABLE			
-050 (LF)							UNAVAILABLE			
-051 (LF)							UNAVAILABLE			
-052 (LF)							UNAVAILABLE			
-053 (LF)							UNAVAILABLE			
-054 (LF)							UNAVAILABLE			
-055 (LF)	2x7	STD	RND	1.46/37.08	.600/15.24	.920/23.37	.105/2.67	1.06/26.92	30u"/.76u Au OVER 50U"/1.27u Ni	C
-056 (LF)			SQ				.105/2.67		150u"/3.81u Sn	
-057 (LF)			RND				.150/3.81		30u"/.76u Au OVER 50U"/1.27u Ni	
-058 (LF)			SQ				.150/3.81		150u"/3.81u Sn	
-059 (LF)			SQ				.675/17.15		30u"/.76u Au OVER 50U"/1.27u Ni	
-060 (LF)	2x7		SQ	1.46/37.08	.600/15.24	.920/23.37	.675/17.15	1.06/26.92	150u"/3.81u Sn	C
-061 (LF)	2x8		RND	1.56/39.62	.700/17.78	1.020/25.91	.105/2.67	1.16/29.46	30u"/.76u Au OVER 50U"/1.27u Ni	D
-062 (LF)			SQ				.105/2.67		150u"/3.81u Sn	
-063 (LF)			RND				.150/3.81		30u"/.76u Au OVER 50U"/1.27u Ni	
-064 (LF)			SQ				.150/3.81		150u"/3.81u Sn	
-065 (LF)			SQ				.675/17.15		30u"/.76u Au OVER 50U"/1.27u Ni	
-066 (LF)	2x8		SQ	1.56/39.62	.700/17.78	1.020/25.91	.675/17.15	1.16/29.46	150u"/3.81u Sn	
-067 (LF)	2x10		RND	1.76/44.70	.900/22.86	1.220/30.99	.105/2.67	1.36/34.54	30u"/.76u Au OVER 50U"/1.27u Ni	
-068 (LF)			SQ				.105/2.67		150u"/3.81u Sn	
-069 (LF)			RND				.150/3.81		30u"/.76u Au OVER 50U"/1.27u Ni	
-070 (LF)			SQ				.150/3.81		150u"/3.81u Sn	
-071 (LF)			SQ				.675/17.15		30u"/.76u Au OVER 50U"/1.27u Ni	
67916-072 (LF)	2x10	STD	SQ	1.76/44.70	.900/22.86	1.220/30.99	.675/17.15	1.36/34.54	150u"/3.81u Sn	D

mat'l. code				tolerances unless otherwise specified				CUSTOMER COPY		FCI www.fciconnect.com	
ltr	ecn no	dr	date	linear	.XX±.01/.X±.3			projection	title		
E					.XXX±.005/.XX±.13				HEADER, QUICKIE		
					.XXX±.0020/.XXX±.051				SEA, HORSE, RIGHT ANGLE		
				angles	0°±2°			INCH/MM	product family		code
				dr	J. SHREINER	7/16/90	QUICKIE		-		
				enr	M. SMYK	7/16/90	A		sheet		
				chr	M. SMYK	7/16/90	67916		5 of 20		
				appd	M. SMYK	7/16/90	scale	5:1			
sheet index	revision sheet										

Tous droits strictement réservés. Reproduction ou communication a des tiers interdite sous quelque forme que ce soit sans autorisation écrite du propriétaire. Propriété de c FCI. Droits de reproduction FCI.



All rights strictly reserved. Reproduction or issue to third parties in any form whatever is not permitted without written authority from the proprietor. Property of FCI. Copyright FCI.

PRODUCT NO.	SIZE	LATCHES NOTE 9	PIN SHAPE	DIM A	DIM B	DIM C	DIM D	DIM E	TERMINAL PLATING NOTE 13	STYLE
67916-073(LF)	2x13	STD	RND	2.06/52.32	1.200/30.48	1.520/38.61	.105/2.67	1.66/42.16	30u"/.76u Au OVER 50U"/1.27u Ni	D
-074(LF)			SQ				.105/2.67		150u"/3.81u Sn	
-075(LF)			RND				.150/3.81		30u"/.76u Au OVER 50U"/1.27u Ni	
-076(LF)			SQ				.150/3.81		150u"/3.81u Sn	
-077(LF)			SQ				.675/17.15		30u"/.76u Au OVER 50U"/1.27u Ni	
-078(LF)	2x13		SQ	2.06/52.32	1.200/30.48	1.520/38.61	.675/17.15	1.66/42.16	150u"/3.81u Sn	
-079(LF)	2x17		RND	2.46/62.48	1.600/40.64	1.920/48.77	.105/2.67	2.06/52.32	30u"/.76u Au OVER 50U"/1.27u Ni	
-080(LF)			SQ				.105/2.67		150u"/3.81u Sn	
-081(LF)			RND				.150/3.81		30u"/.76u Au OVER 50U"/1.27u Ni	
-082(LF)			SQ				.150/3.81		150u"/3.81u Sn	
-083(LF)			SQ				.675/17.15		30u"/.76u Au OVER 50U"/1.27u Ni	
-084(LF)	2x17		SQ	2.46/62.48	1.600/40.64	1.920/48.77	.675/17.15	2.06/52.32	150u"/3.81u Sn	
-085(LF)	2x20		RND	2.76/70.10	1.900/48.26	2.220/56.39	.105/2.67	2.36/59.94	30u"/.76u Au OVER 50U"/1.27u Ni	
-086(LF)			SQ				.105/2.67		150u"/3.81u Sn	
-087(LF)			RND				.150/3.81		30u"/.76u Au OVER 50U"/1.27u Ni	
-088(LF)			SQ				.150/3.81		150u"/3.81u Sn	
-089(LF)			SQ				.675/17.15		30u"/.76u Au OVER 50U"/1.27u Ni	
-090(LF)	2x20		SQ	2.76/70.10	1.900/48.26	2.220/56.39	.675/17.15	2.36/59.94	150u"/3.81u Sn	
-091(LF)	2x25		RND	3.26/82.80	2.400/60.96	2.720/69.09	.105/2.67	2.86/72.64	30u"/.76u Au OVER 50U"/1.27u Ni	
-092(LF)			SQ				.105/2.67		150u"/3.81u Sn	
-093(LF)			RND				.150/3.81		30u"/.76u Au OVER 50U"/1.27u Ni	
-094(LF)			SQ				.150/3.81		150u"/3.81u Sn	
-095(LF)			SQ				.675/17.15		30u"/.76u Au OVER 50U"/1.27u Ni	
-096(LF)	2x25	STD	SQ	3.26/82.80	2.400/60.96	2.720/69.09	.675/17.15	2.86/72.64	150u"/3.81u Sn	
-097(LF)	2x30	NO	RND	3.76/95.50	2.900/73.66	3.220/81.79	.105/2.67	3.36/85.34	30u"/.76u Au OVER 50U"/1.27u Ni	
-098(LF)			SQ				.105/2.67		150u"/3.81u Sn	
-099(LF)			RND				.150/3.81		30u"/.76u Au OVER 50U"/1.27u Ni	
-100(LF)			SQ				.150/3.81		150u"/3.81u Sn	
-101(LF)			SQ				.675/17.15		30u"/.76u Au OVER 50U"/1.27u Ni	
-102(LF)		NO	SQ				.675/17.15		150u"/3.81u Sn	
-103(LF)		STD	RND				.105/2.67		30u"/.76u Au OVER 50U"/1.27u Ni	
-104(LF)			SQ				.105/2.67		150u"/3.81u Sn	
-105(LF)			RND				.150/3.81		30u"/.76u Au OVER 50U"/1.27u Ni	
-106(LF)			SQ				.150/3.81		150u"/3.81u Sn	
-107(LF)			SQ				.675/17.15		30u"/.76u Au OVER 50U"/1.27u Ni	
67916-108(LF)	2x30	STD	SQ	3.76/95.50	2.900/73.66	3.220/81.79	.675/17.15	3.36/85.34	150u"/3.81u Sn	D

mat'l. code		tolerances unless otherwise specified		CUSTOMER COPY	 www.fciconnect.com
ltr	ecn no	dr	date	projection	
E				linear	title
				angles	SEA, HORSE, RIGHT ANGLE
				dr	product family
				enr	QUICKIE
				chr	code
				appd	67916
					sheet
					6 of 20
sheet index	revision sheet			scale	
				5:1	

Tous droits strictement reserves. Reproduction ou communication a des tiers interdite sous quelque forme que ce soit sans autorisation ecrite du proprietaire. Propriete de c FCI. Droits de reproduction FCI.



All rights strictly reserved. Reproduction or issue to third parties in any form whatever is not permitted without written authority from the proprietor. Property of FCI. Copyright FCI.

PRODUCT NO.	SIZE	LATCHES NOTE 9	PIN SHAPE	DIM A	DIM B	DIM C	DIM D	DIM E	TERMINAL PLATING NOTE 13	STYLE
67916-109									UNASSIGNED	30u"/.76u Au OVER 50U"/1.27u Ni
-110	2x7	NO	SQ	1.46/37.08	.600/15.24	.920/23.37	.105/2.67	1.06/26.92		C
-111	2x8			1.56/39.62	.700/17.78	1.020/25.91		1.16/29.46		D
-112	2x10			1.76/44.70	.900/22.86	1.220/30.99		1.36/34.54		
-113	2x13			2.06/52.32	1.200/30.48	1.520/38.61		1.66/42.16		
-114	2x17			2.46/62.48	1.600/40.64	1.920/48.77		2.06/52.32		
-115	2x20			2.76/70.10	1.900/48.26	2.220/56.39		2.36/59.94		
-116	2x25			3.26/82.80	2.400/60.96	2.720/69.09		2.86/72.64		
-117	2x30	NO	SQ	3.76/95.50	2.900/73.66	3.220/81.79	.105/2.67	3.36/85.34	30u"/.76u Au OVER 50U"/1.27u Ni	D
-118									UNASSIGNED	
-119	2x7	STD	SQ	1.46/37.08	.600/15.24	.920/23.37	.105/2.67	1.06/26.92	30u"/.76u Au OVER 50U"/1.27u Ni	C
-120	2x8			1.56/39.62	.700/17.78	1.020/25.91		1.16/29.46		D
-121	2x10			1.76/44.70	.900/22.86	1.220/30.99		1.36/34.54		
-122	2x13			2.06/52.32	1.200/30.48	1.520/38.61		1.66/42.16		
-123	2x17			2.46/62.48	1.600/40.64	1.920/48.77		2.06/52.32		
-124	2x20			2.76/70.10	1.900/48.26	2.220/56.39		2.36/59.94		
-125	2x25			3.26/82.80	2.400/60.96	2.720/69.09		2.86/72.64		
-126	2x30	STD	SQ	3.76/95.50	2.900/73.66	3.220/81.79	.105/2.67	3.36/85.34	30u"/.76u Au OVER 50U"/1.27u Ni	D
-127									UNASSIGNED	
-128	2x7	NO	RND	1.46/37.08	.600/15.24	.920/23.37	.150/3.81	1.06/26.92	30u"/.76u GXT/GOLD FLASH	C
-129	2x8			1.56/39.62	.700/17.78	1.020/25.91		1.16/29.46		D
-130	2x10			1.76/44.70	.900/22.86	1.220/30.99		1.36/34.54		
-131	2x13			2.06/52.32	1.200/30.48	1.520/38.61		1.66/42.16		
-132	2x17			2.46/62.48	1.600/40.64	1.920/48.77		2.06/52.32		
-133	2x20			2.76/70.10	1.900/48.26	2.220/56.39		2.36/59.94		
-134	2x25			3.26/82.80	2.400/60.96	2.720/69.09		2.86/72.64		
-135	2x30	NO	RND	3.76/95.50	2.900/73.66	3.220/81.79	.150/3.81	3.36/85.34	30u"/.76u GXT/GOLD FLASH	D
-136									UNASSIGNED	
-137	2x7	STD	RND	1.46/37.08	.600/15.24	.920/23.37	.150/3.81	1.06/26.92	30u"/.76u GXT/GOLD FLASH	C
-138	2x8			1.56/39.62	.700/17.78	1.020/25.91		1.16/29.46		D
-139	2x10			1.76/44.70	.900/22.86	1.220/30.99		1.36/34.54		
-140	2x13			2.06/52.32	1.200/30.48	1.520/38.61		1.66/42.16		
-141	2x17			2.46/62.48	1.600/40.64	1.920/48.77		2.06/52.32		
-142	2x20			2.76/70.10	1.900/48.26	2.220/56.39		2.36/59.94		
-143	2x25			3.26/82.80	2.400/60.96	2.720/69.09		2.86/72.64		
67916-144	2x30	STD	RND	3.76/95.50	2.900/73.66	3.220/81.79	.150/3.81	3.36/85.34	30u"/.76u GXT/GOLD FLASH	D

mat'l. code				tolerances unless otherwise specified				CUSTOMER COPY		FCI www.fciconnect.com	
ltr	ecn no	dr	date	linear	.XX±.01/.X±.3			projection	title		
E					.XXX±.005/.XX±.13				HEADER, QUICKIE		
					.XXX±.0020/.XXX±.051				SEA, HORSE, RIGHT ANGLE		
				angles	0°±2°			INCH/MM	product family		code
				dr	J. SHREINER	7/16/90	QUICKIE		-		
				enr	M. SMYK	7/16/90	-				
				chr	M. SMYK	7/16/90	-				
				appd	M. SMYK	7/16/90	scale	A		sheet	
sheet index	revision sheet						5:1	67916		7 of 20	



PRODUCT NO.	SIZE	LATCHES NOTE 9	PIN SHAPE	DIM A	DIM B	DIM C	DIM D	DIM E	TERMINAL PLATING NOTE 13	STYLE
67916-145(LF)									UNAVAILABLE	
-146(LF)									UNAVAILABLE	
-147(LF)									UNAVAILABLE	
-148(LF)									UNAVAILABLE	
-149(LF)									UNAVAILABLE	
-150(LF)									UNAVAILABLE	
-151(LF)	2x7	LP	RND	1.46/37.08	.600/15.24	.920/23.37	.105/2.67	1.06/26.92	30u"/.76u Au OVER 50U"/1.27u Ni	c
-152(LF)	↑	↑	SQ	↑	↑	↑	.105/2.67	↑	150u"/3.81u Sn	↑
-153(LF)	↑	↑	RND	↑	↑	↑	.150/3.81	↑	30u"/.76u Au OVER 50U"/1.27u Ni	↑
-154(LF)	↑	↑	SQ	↑	↑	↑	.150/3.81	↑	150u"/3.81u Sn	↑
-155(LF)	↓	↓	SQ	↓	↓	↓	.675/17.15	↓	30u"/.76u Au OVER 50U"/1.27u Ni	↓
-156(LF)	2x7		SQ	1.46/37.08	.600/15.24	.920/23.37	.675/17.15	1.06/26.92	150u"/3.81u Sn	c
-157(LF)	2x8		RND	1.56/39.62	.700/17.78	1.020/25.91	.105/2.67	1.16/29.46	30u"/.76u Au OVER 50U"/1.27u Ni	D
-158(LF)	↑	↑	SQ	↑	↑	↑	.105/2.67	↑	150u"/3.81u Sn	↑
-159(LF)	↑	↑	RND	↑	↑	↑	.150/3.81	↑	30u"/.76u Au OVER 50U"/1.27u Ni	↑
-160(LF)	↑	↑	SQ	↑	↑	↑	.150/3.81	↑	150u"/3.81u Sn	↑
-161(LF)	↓	↓	SQ	↓	↓	↓	.675/17.15	↓	30u"/.76u Au OVER 50U"/1.27u Ni	↓
-162(LF)	2x8		SQ	1.56/39.62	.700/17.78	1.020/25.91	.675/17.15	1.16/29.46	150u"/3.81u Sn	
-163(LF)	2x10		RND	1.76/44.70	.900/22.86	1.220/30.99	.105/2.67	1.36/34.54	30u"/.76u Au OVER 50U"/1.27u Ni	
-164(LF)	↑	↑	SQ	↑	↑	↑	.105/2.67	↑	150u"/3.81u Sn	
-165(LF)	↑	↑	RND	↑	↑	↑	.150/3.81	↑	30u"/.76u Au OVER 50U"/1.27u Ni	
-166(LF)	↑	↑	SQ	↑	↑	↑	.150/3.81	↑	150u"/3.81u Sn	
-167(LF)	↓	↓	SQ	↓	↓	↓	.675/17.15	↓	30u"/.76u Au OVER 50U"/1.27u Ni	
-168(LF)	2x10		SQ	1.76/44.70	.900/22.86	1.220/30.99	.675/17.15	1.36/34.54	150u"/3.81u Sn	
-169(LF)	2x13		RND	2.06/52.32	1.200/30.48	1.520/38.61	.105/2.67	1.66/42.16	30u"/.76u Au OVER 50U"/1.27u Ni	
-170(LF)	↑	↑	SQ	↑	↑	↑	.105/2.67	↑	150u"/3.81u Sn	
-171(LF)	↑	↑	RND	↑	↑	↑	.150/3.81	↑	30u"/.76u Au OVER 50U"/1.27u Ni	
-172(LF)	↑	↑	SQ	↑	↑	↑	.150/3.81	↑	150u"/3.81u Sn	
-173(LF)	↓	↓	SQ	↓	↓	↓	.675/17.15	↓	30u"/.76u Au OVER 50U"/1.27u Ni	
-174(LF)	2x13		SQ	2.06/52.32	1.200/30.48	1.520/38.61	.675/17.15	1.66/42.16	150u"/3.81u Sn	
-175(LF)	2x17		RND	2.46/62.48	1.600/40.64	1.920/48.77	.105/2.67	2.06/52.32	30u"/.76u Au OVER 50U"/1.27u Ni	
-176(LF)	↑	↑	SQ	↑	↑	↑	.105/2.67	↑	150u"/3.81u Sn	
-177(LF)	↑	↑	RND	↑	↑	↑	.150/3.81	↑	30u"/.76u Au OVER 50U"/1.27u Ni	
-178(LF)	↑	↑	SQ	↑	↑	↑	.150/3.81	↑	150u"/3.81u Sn	
-179(LF)	↓	↓	SQ	↓	↓	↓	.675/17.15	↓	30u"/.76u Au OVER 50U"/1.27u Ni	
67916-180(LF)	2x17	LP	SQ	2.46/62.48	1.600/40.64	1.920/48.77	.675/17.15	2.06/52.32	150u"/3.81u Sn	D

mat'l. code				tolerances unless otherwise specified			INSPECTION COPY		FCI www.fciconnect.com	
ltr	ecn no	dr	date	linear	.XX±.01/.X±.3		projection ⊕	title HEADER, QUICKIE SEA, HORSE, RIGHT ANGLE		
E					.XXX±.005/.XX±.13					
					.XXX±.0020/.XXX±.051					
				angles	0°±2°		INCH/MM ←→	product family QUICKIE		
				dr	J. SHREINER	7/16/90		code		
				enr	M. SMYK	7/16/90		-		
				chr	M. SMYK	7/16/90		sheet		
				appd	M. SMYK	7/16/90	scale	A 67916		8 of 20
sheet index	revision sheet									



PRODUCT NO.	SIZE	LATCHES NOTE 9	PIN SHAPE	DIM A	DIM B	DIM C	DIM D	DIM E	MADE FROM	STYLE
67916-181(LF)	2x20	66177-001	N/A	2.76/70.10	1.900/48.26	2.220/56.39	.105/2.67	2.36/59.94	30u"/.76u Au OVER 50U"/1.27u Ni	D
-182(LF)							.105/2.67		150u"/3.81u Sn	
-183(LF)							.150/3.81		30u"/.76u Au OVER 50U"/1.27u Ni	
-184(LF)							.150/3.81		150u"/3.81u Sn	
-185(LF)							.675/17.15		30u"/.76u Au OVER 50U"/1.27u Ni	
-186(LF)	2x20			2.76/70.10	1.900/48.26	2.220/56.39	.675/17.15	2.36/59.94	150u"/3.81u Sn	
-187(LF)	2x25			3.26/82.80	2.400/60.96	2.720/69.09	.105/2.67	2.86/72.64	30u"/.76u Au OVER 50U"/1.27u Ni	
-188(LF)							.105/2.67		150u"/3.81u Sn	
-189(LF)							.150/3.81		30u"/.76u Au OVER 50U"/1.27u Ni	
-190(LF)							.150/3.81		150u"/3.81u Sn	
-191(LF)							.675/17.15		30u"/.76u Au OVER 50U"/1.27u Ni	
-192(LF)	2x25			3.26/82.80	2.400/60.96	2.720/69.09	.675/17.15	2.86/72.64	150u"/3.81u Sn	
-193(LF)	2x30			3.76/95.50	2.900/73.66	3.220/81.79	.105/2.67	3.36/85.34	30u"/.76u Au OVER 50U"/1.27u Ni	
-194(LF)							.105/2.67		150u"/3.81u Sn	
-195(LF)							.150/3.81		30u"/.76u Au OVER 50U"/1.27u Ni	
-196(LF)							.150/3.81		150u"/3.81u Sn	
-197(LF)							.675/17.15		30u"/.76u Au OVER 50U"/1.27u Ni	
-198(LF)	2x30	66177-001	N/A	3.76/95.50	2.900/73.66	3.220/81.79	.675/17.15	3.36/85.34	150u"/3.81u Sn	D
-199(LF)									UNAVAILABLE	
-200(LF)	2x7	66177-001	N/A	1.46/37.08	.600/15.24	.920/23.37	.105/2.67	1.06/26.92	30u"/.76u Au OVER 50U"/1.27u Ni	C
-201(LF)	2x8			1.56/39.62	.700/17.78	1.020/25.91		1.16/29.46		D
-202(LF)	2x10			1.76/44.70	.900/22.86	1.220/30.99		1.36/34.54		
-203(LF)	2x13			2.06/52.32	1.200/30.48	1.520/38.61		1.66/42.16		
-204(LF)	2x17			2.46/62.48	1.600/40.64	1.920/48.77		2.06/52.32		
-205(LF)	2x20			2.76/70.10	1.900/48.26	2.220/56.39		2.36/59.94		
-206(LF)	2x25			3.26/82.80	2.400/60.96	2.720/69.09		2.86/72.64		
-207(LF)	2x30	66177-001	N/A	3.76/95.50	2.900/73.66	3.220/81.79	.105/2.67	3.36/85.34	30u"/.76u Au OVER 50U"/1.27u Ni	D
-208(LF)									UNAVAILABLE	
-209(LF)	2x7	66177-001	N/A	1.46/37.08	.600/15.24	.920/23.37	.150/3.81	1.06/26.92	30u"/.76u GXT/GOLD FLASH	C
-210(LF)	2x8			1.56/39.62	.700/17.78	1.020/25.91		1.16/29.46		D
-211(LF)	2x10			1.76/44.70	.900/22.86	1.220/30.99		1.36/34.54		
-212(LF)	2x13			2.06/52.32	1.200/30.48	1.520/38.61		1.66/42.16		
-213(LF)	2x17			2.46/62.48	1.600/40.64	1.920/48.77		2.06/52.32		
-214(LF)	2x20			2.76/70.10	1.900/48.26	2.220/56.39		2.36/59.94		
-215(LF)	2x25			3.26/82.80	2.400/60.96	2.720/69.09		2.86/72.64		
67916-216(LF)	2x30	66177-001	N/A	3.76/95.50	2.900/73.66	3.220/81.79	.150/3.81	3.36/85.34	30u"/.76u GXT/GOLD FLASH	D

mat'l. code				tolerances unless otherwise specified				CUSTOMER COPY		FCI www.fciconnect.com	
ltr	ecn no	dr	date	linear	.XX±.01/.X±.3			projection ⊕	title HEADER, QUICKIE		
E					.XXX±.005/.XX±.13				SEA, HORSE, RIGHT ANGLE		
					.XXX±.0020/.XXX±.051				product family QUICKIE		
				angles	0°±2°			INCH/MM ←→	code -		
				dr	J. SHREINER	7/16/90	scale 5:1		sheet 9 of 20		
				enr	M. SMYK	7/16/90			A 67916		
				chr	M. SMYK	7/16/90					
				appd	M. SMYK	7/16/90					
sheet index	revision sheet										

Tous droits strictement reserves. Reproduction ou communication a des tiers interdite sous quelque forme que ce soit sans autorisation ecrite du proprietaire. Propriete de c FCI. Droits de reproduction FCI.



All rights strictly reserved. Reproduction or issue to third parties in any form whatever is not permitted without written authority from the proprietor. Property of FCI. Copyright FCI.

PRODUCT NO.	SIZE	LATCHES NOTE 9	PIN SHAPE	DIM A	DIM B	DIM C	DIM D	DIM E	TERMINAL PLATING	STYLE
UNAVAILABLE										
67916-217(LF)										
-218(LF)	2x7	NO	RND	1.46/37.08	.600/15.24	.920/23.37	.105/2.67	1.06/26.92	30u"/.76u GXT/GOLD FLASH	C
-219(LF)	2x8			1.56/39.62	.700/17.78	1.020/25.91		1.16/29.46		D
-220(LF)	2x10			1.76/44.70	.900/22.86	1.220/30.99		1.36/34.54		
-221(LF)	2x13			2.06/52.32	1.200/30.48	1.520/38.61		1.66/42.16		
-222(LF)	2x17			2.46/62.48	1.600/40.64	1.920/48.77		2.06/52.32		
-223(LF)	2x20			2.76/70.10	1.900/48.26	2.220/56.39		2.36/59.94		
-224(LF)	2x25			3.26/82.80	2.400/60.96	2.720/69.09		2.86/72.64		
-225(LF)	2x30	NO	RND	3.76/95.50	2.900/73.66	3.220/81.79	.105/2.67	3.36/85.34	30u"/.76u GXT/GOLD FLASH	D
-226(LF)										
UNAVAILABLE										
-227(LF)	2x7	NO	SQ	1.46/37.08	.600/15.24	.920/23.37	.675/17.15	1.06/26.92	30u"/.76u GXT/GOLD FLASH	C
-228(LF)	2x8			1.56/39.62	.700/17.78	1.020/25.91		1.16/29.46		D
-229(LF)	2x10			1.76/44.70	.900/22.86	1.220/30.99		1.36/34.54		
-230(LF)	2x13			2.06/52.32	1.200/30.48	1.520/38.61		1.66/42.16		
-231(LF)	2x17			2.46/62.48	1.600/40.64	1.920/48.77		2.06/52.32		
-232(LF)	2x20			2.76/70.10	1.900/48.26	2.220/56.39		2.36/59.94		
-233(LF)	2x25			3.26/82.80	2.400/60.96	2.720/69.09		2.86/72.64		
-234(LF)	2x30	NO	SQ	3.76/95.50	2.900/73.66	3.220/81.79	.675/17.15	3.36/85.34	30u"/.76u GXT/GOLD FLASH	D
-235(LF)										
UNAVAILABLE										
-236(LF)	2x7	STD	RND	1.46/37.08	.600/15.24	.920/23.37	.105/2.67	1.06/26.92	30u"/.76u GXT/GOLD FLASH	C
-237(LF)	2x8			1.56/39.62	.700/17.78	1.020/25.91		1.16/29.46		D
-238(LF)	2x10			1.76/44.70	.900/22.86	1.220/30.99		1.36/34.54		
-239(LF)	2x13			2.06/52.32	1.200/30.48	1.520/38.61		1.66/42.16		
-240(LF)	2x17			2.46/62.48	1.600/40.64	1.920/48.77		2.06/52.32		
-241(LF)	2x20			2.76/70.10	1.900/48.26	2.220/56.39		2.36/59.94		
-242(LF)	2x25			3.26/82.80	2.400/60.96	2.720/69.09		2.86/72.64		
-243(LF)	2x30	STD	RND	3.76/95.50	2.900/73.66	3.220/81.79	.105/2.67	3.36/85.34	30u"/.76u GXT/GOLD FLASH	D
-244(LF)										
UNAVAILABLE										
-245(LF)	2x7	STD	SQ	1.46/37.08	.600/15.24	.920/23.37	.675/17.15	1.06/26.92	30u"/.76u GXT/GOLD FLASH	C
-246(LF)	2x8			1.56/39.62	.700/17.78	1.020/25.91		1.16/29.46		D
-247(LF)	2x10			1.76/44.70	.900/22.86	1.220/30.99		1.36/34.54		
-248(LF)	2x13			2.06/52.32	1.200/30.48	1.520/38.61		1.66/42.16		
-249(LF)	2x17			2.46/62.48	1.600/40.64	1.920/48.77		2.06/52.32		
-250(LF)	2x20			2.76/70.10	1.900/48.26	2.220/56.39		2.36/59.94		
-251(LF)	2x25			3.26/82.80	2.400/60.96	2.720/69.09		2.86/72.64		
67916-252(LF)	2x30	STD	SQ	3.76/95.50	2.900/73.66	3.220/81.79	.675/17.15	3.36/85.34	30u"/.76u GXT/GOLD FLASH	D

mat'l. code				tolerances unless otherwise specified				CUSTOMER COPY				
ltr	ecn no	dr	date	linear	.XX±.01/.X±.3			projection	www.fciconnect.com			
E					.XXX±.005/.XX±.13					title HEADER, QUICKIE		
					.XXX±.0020/.XXX±.051					SEA, HORSE, RIGHT ANGLE		
				angles	0°±2°				product family QUICKIE		code	
				dr	J. SHREINER	7/16/90	INCH/MM		product size		code	
				enr	M. SMYK	7/16/90			dwg no		sheet	
				chr	M. SMYK	7/16/90			A 67916		10 of 20	
				appd	M. SMYK	7/16/90		scale 5:1				
sheet index	revision sheet											



PRODUCT NO.	SIZE	LATCHES NOTE 9	PIN SHAPE	DIM A	DIM B	DIM C	DIM D	DIM E	TERMINAL PLATING	STYLE
67916-253(LF)									UNAVAILABLE	
-254 (LF)	2x7	LP	RND	1.46/37.08	.600/15.24	.920/23.37	.105/2.67	1.06/26.92	30u"/.76u GXT/GOLD FLASH	C
-255 (LF)	2x8			1.56/39.62	.700/17.78	1.020/25.91		1.16/29.46		D
-256 (LF)	2x10			1.76/44.70	.900/22.86	1.220/30.99		1.36/34.54		
-257 (LF)	2x13			2.06/52.32	1.200/30.48	1.520/38.61		1.66/42.16		
-258 (LF)	2x17			2.46/62.48	1.600/40.64	1.920/48.77		2.06/52.32		
-259 (LF)	2x20			2.76/70.10	1.900/48.26	2.220/56.39		2.36/59.94		
-260 (LF)	2x25			3.26/82.80	2.400/60.96	2.720/69.09		2.86/72.64		
-261 (LF)	2x30	LP	RND	3.76/95.50	2.900/73.66	3.220/81.79	.105/2.67	3.36/85.34	30u"/.76u GXT/GOLD FLASH	D
-262 (LF)									UNAVAILABLE	
-263 (LF)	2x7	LP	SQ	1.46/37.08	.600/15.24	.920/23.37	.675/17.15	1.06/26.92	30u"/.76u GXT/GOLD FLASH	C
-264 (LF)	2x8			1.56/39.62	.700/17.78	1.020/25.91		1.16/29.46		D
-265 (LF)	2x10			1.76/44.70	.900/22.86	1.220/30.99		1.36/34.54		
-266 (LF)	2x13			2.06/52.32	1.200/30.48	1.520/38.61		1.66/42.16		
-267 (LF)	2x17			2.46/62.48	1.600/40.64	1.920/48.77		2.06/52.32		
-268 (LF)	2x20			2.76/70.10	1.900/48.26	2.220/56.39		2.36/59.94		
-269 (LF)	2x25			3.26/82.80	2.400/60.96	2.720/69.09		2.86/72.64		
-270 (LF)	2x30	LP	SQ	3.76/95.50	2.900/73.66	3.220/81.79	.675/17.15	3.36/85.34	30u"/.76u GXT/GOLD FLASH	D
-271 (LF)									UNAVAILABLE	
-272 (LF)	2x7	NO	RND	1.46/37.08	.600/15.24	.920/23.37	.105/2.67	1.06/26.92	15u"/.38u Au OVER 50U"/1.27u Ni	C
-273 (LF)	2x8			1.56/39.62	.700/17.78	1.020/25.91		1.16/29.46		D
-274 (LF)	2x10			1.76/44.70	.900/22.86	1.220/30.99		1.36/34.54		
-275 (LF)	2x13			2.06/52.32	1.200/30.48	1.520/38.61		1.66/42.16		
-276 (LF)	2x17			2.46/62.48	1.600/40.64	1.920/48.77		2.06/52.32		
-277 (LF)	2x20			2.76/70.10	1.900/48.26	2.220/56.39		2.36/59.94		
-278 (LF)	2x25			3.26/82.80	2.400/60.96	2.720/69.09		2.86/72.64		
-279 (LF)	2x30	NO	RND	3.76/95.50	2.900/73.66	3.220/81.79	.105/2.67	3.36/85.34	15u"/.38u Au OVER 50U"/1.27u Ni	D
-280 (LF)									UNAVAILABLE	
-281 (LF)	2x7	NO	RND	1.46/37.08	.600/15.24	.920/23.37	.150/3.81	1.06/26.92	15u"/.38u Au OVER 50U"/1.27u Ni	C
-282 (LF)	2x8			1.56/39.62	.700/17.78	1.020/25.91		1.16/29.46		D
-283 (LF)	2x10			1.76/44.70	.900/22.86	1.220/30.99		1.36/34.54		
-284 (LF)	2x13			2.06/52.32	1.200/30.48	1.520/38.61		1.66/42.16		
-285 (LF)	2x17			2.46/62.48	1.600/40.64	1.920/48.77		2.06/52.32		
-286 (LF)	2x20			2.76/70.10	1.900/48.26	2.220/56.39		2.36/59.94		
-287 (LF)	2x25			3.26/82.80	2.400/60.96	2.720/69.09		2.86/72.64		
67916-288(LF)	2x30	NO	RND	3.76/95.50	2.900/73.66	3.220/81.79	.150/3.81	3.36/85.34	15u"/.38u Au OVER 50U"/1.27u Ni	D

mat'l. code				tolerances unless otherwise specified				CUSTOMER COPY		 www.fciconnect.com	
ltr	ecn no	dr	date	linear	.XX±.01/.X±.3			projection	 title HEADER, QUICKIE SEA, HORSE, RIGHT ANGLE		
E					.XXX±.005/.XX±.13						
					.XXX±.0020/.XXX±.051						
				angles	0°±2°			 INCH/MM scale 5:1	product family QUICKIE		code
				dr	J. SHREINER	7/16/90	size1		dwg no	sheet	
				engr	M. SMYK	7/16/90	A		67916	11 of 20	
				chr	M. SMYK	7/16/90					
				appd	M. SMYK	7/16/90					
sheet index	revision sheet										

Tous droits strictement reserves. Reproduction ou communication a des tiers interdite sous quelque forme que ce soit sans autorisation ecrite du proprietaire. Propriete de c FCI. Droits de reproduction FCI.

All rights strictly reserved. Reproduction or issue to third parties in any form whatever is not permitted without written authority from the proprietor. Property of FCI. Copyright FCI.



PRODUCT NO.	SIZE	LATCHES NOTE 9	PIN SHAPE	DIM A	DIM B	DIM C	DIM D	DIM E	TERMINAL PLATING	STYLE
67916-289 (LF)									UNAVAILABLE	
-290 (LF)	2x7	NO	SQ	1.46/37.08	.600/15.24	.920/23.37	.675/17.15	1.06/26.92	15u"/.38u Au OVER 50u"/1.27u Ni	C
-291 (LF)	2x8			1.56/39.62	.700/17.78	1.020/25.91		1.16/29.46		D
-292 (LF)	2x10			1.76/44.70	.900/22.86	1.220/30.99		1.36/34.54		
-293 (LF)	2x13			2.06/52.32	1.200/30.48	1.520/38.61		1.66/42.16		
-294 (LF)	2x17			2.46/62.48	1.600/40.64	1.920/48.77		2.06/52.32		
-295 (LF)	2x20			2.76/70.10	1.900/48.26	2.220/56.39		2.36/59.94		
-296 (LF)	2x25			3.26/82.80	2.400/60.96	2.720/69.09		2.86/72.64		
-297 (LF)	2x30	NO	SQ	3.76/95.50	2.900/73.66	3.220/81.79	.675/17.15	3.36/85.34	15u"/.38u Au OVER 50u"/1.27u Ni	D
-298 (LF)									UNAVAILABLE	
-299 (LF)	2x7	STD	RND	1.46/37.08	.600/15.24	.920/23.37	.105/2.67	1.06/26.92	15u"/.38u Au OVER 50u"/1.27u Ni	C
-300 (LF)	2x8			1.56/39.62	.700/17.78	1.020/25.91		1.16/29.46		D
-301 (LF)	2x10			1.76/44.70	.900/22.86	1.220/30.99		1.36/34.54		
-302 (LF)	2x13			2.06/52.32	1.200/30.48	1.520/38.61		1.66/42.16		
-303 (LF)	2x17			2.46/62.48	1.600/40.64	1.920/48.77		2.06/52.32		
-304 (LF)	2x20			2.76/70.10	1.900/48.26	2.220/56.39		2.36/59.94		
-305 (LF)	2x25			3.26/82.80	2.400/60.96	2.720/69.09		2.86/72.64		
-306 (LF)	2x30	STD	RND	3.76/95.50	2.900/73.66	3.220/81.79	.105/2.67	3.36/85.34	15u"/.38u Au OVER 50u"/1.27u Ni	D
-307 (LF)									UNAVAILABLE	
-308 (LF)	2x7	STD	RND	1.46/37.08	.600/15.24	.920/23.37	.150/3.81	1.06/26.92	15u"/.38u Au OVER 50u"/1.27u Ni	C
-309 (LF)	2x8			1.56/39.62	.700/17.78	1.020/25.91		1.16/29.46		D
-310 (LF)	2x10			1.76/44.70	.900/22.86	1.220/30.99		1.36/34.54		
-311 (LF)	2x13			2.06/52.32	1.200/30.48	1.520/38.61		1.66/42.16		
-312 (LF)	2x17			2.46/62.48	1.600/40.64	1.920/48.77		2.06/52.32		
-313 (LF)	2x20			2.76/70.10	1.900/48.26	2.220/56.39		2.36/59.94		
-314 (LF)	2x25			3.26/82.80	2.400/60.96	2.720/69.09		2.86/72.64		
-315 (LF)	2x30	STD	RND	3.76/95.50	2.900/73.66	3.220/81.79	.150/3.81	3.36/85.34	15u"/.38u Au OVER 50u"/1.27u Ni	D
-316 (LF)									UNAVAILABLE	
-317 (LF)	2x7	STD	SQ	1.46/37.08	.600/15.24	.920/23.37	.675/17.15	1.06/26.92	15u"/.38u Au OVER 50u"/1.27u Ni	C
-318 (LF)	2x8			1.56/39.62	.700/17.78	1.020/25.91		1.16/29.46		D
-319 (LF)	2x10			1.76/44.70	.900/22.86	1.220/30.99		1.36/34.54		
-320 (LF)	2x13			2.06/52.32	1.200/30.48	1.520/38.61		1.66/42.16		
-321 (LF)	2x17			2.46/62.48	1.600/40.64	1.920/48.77		2.06/52.32		
-322 (LF)	2x20			2.76/70.10	1.900/48.26	2.220/56.39		2.36/59.94		
-323 (LF)	2x25			3.26/82.80	2.400/60.96	2.720/69.09		2.86/72.64		
67916-324 (LF)	2x30	STD	SQ	3.76/95.50	2.900/73.66	3.220/81.79	.675/17.15	3.36/85.34	15u"/.38u Au OVER 50u"/1.27u Ni	D

mat'l. code				tolerances unless otherwise specified				CUSTOMER COPY		 www.fciconnect.com	
ltr	ecn no	dr	date	linear	.XX±.01/.X±.3			projection	title		
E					.XXX±.005/.XX±.13				HEADER, QUICKIE		
					.XXX±.0020/.XXX±.051				SEA, HORSE, RIGHT ANGLE		
				angles	0°±2°			 INCH/MM	product family		code
				dr	J. SHREINER	7/16/90	QUICKIE		-		
				enr	M. SMYK	7/16/90	-				
				chr	M. SMYK	7/16/90	-				
				appd	M. SMYK	7/16/90	scale	A		sheet	
							5:1	67916		12 of 20	
sheet index	revision sheet										

Tous droits strictement reserves. Reproduction ou communication a des tiers interdite sous quelque forme que ce soit sans autorisation ecrite du proprietaire. Property of FCI. Droits de reproduction FCI.



All rights strictly reserved. Reproduction or issue to third parties in any form whatever is not permitted without written authority from the proprietor. Property of FCI. Copyright FCI.

PRODUCT NO.	SIZE	LATCHES NOTE 9	PIN SHAPE	DIM A	DIM B	DIM C	DIM D	DIM E	TERMINAL PLATING NOTE 13	STYLE
67916-325(LF)									UNAVAILABLE	
-326 (LF)	2x7	LP	RND	1.46/37.08	.600/15.24	.920/23.37	1.06/26.92	1.06/26.92	15u"/.38u Au OVER 50u"/1.27u Ni	C
-327 (LF)	2x8			1.56/39.62	.700/17.78	1.020/25.91	1.16/29.46	1.16/29.46		D
-328 (LF)	2x10			1.76/44.70	.900/22.86	1.220/30.99	1.36/34.54	1.36/34.54		
-329 (LF)	2x13			2.06/52.32	1.200/30.48	1.520/38.61	1.66/42.16	1.66/42.16		
-330 (LF)	2x17			2.46/62.48	1.600/40.64	1.920/48.77	2.06/52.32	2.06/52.32		
-331 (LF)	2x20			2.76/70.10	1.900/48.26	2.220/56.39	2.36/59.94	2.36/59.94		
-332 (LF)	2x25			3.26/82.80	2.400/60.96	2.720/69.09	2.86/72.64	2.86/72.64		
-333 (LF)	2x30	LP	RND	3.76/95.50	2.900/73.66	3.220/81.79	3.36/85.34	3.36/85.34	15u"/.38u Au OVER 50u"/1.27u Ni	D
-334 (LF)									UNAVAILABLE	
-335 (LF)	2x7	LP	RND	1.46/37.08	.600/15.24	.920/23.37	1.06/26.92	1.06/26.92	15u"/.38u Au OVER 50u"/1.27u Ni	C
-336 (LF)	2x8			1.56/39.62	.700/17.78	1.020/25.91	1.16/29.46	1.16/29.46		D
-337 (LF)	2x10			1.76/44.70	.900/22.86	1.220/30.99	1.36/34.54	1.36/34.54		
-338 (LF)	2x13			2.06/52.32	1.200/30.48	1.520/38.61	1.66/42.16	1.66/42.16		
-339 (LF)	2x17			2.46/62.48	1.600/40.64	1.920/48.77	2.06/52.32	2.06/52.32		
-340 (LF)	2x20			2.76/70.10	1.900/48.26	2.220/56.39	2.36/59.94	2.36/59.94		
-341 (LF)	2x25			3.26/82.80	2.400/60.96	2.720/69.09	2.86/72.64	2.86/72.64		
-342 (LF)	2x30	LP	RND	3.76/95.50	2.900/73.66	3.220/81.79	3.36/85.34	3.36/85.34	15u"/.38u Au OVER 50u"/1.27u Ni	D
-343 (LF)									UNAVAILABLE	
-344 (LF)	2x7	LP	SQ	1.46/37.08	.600/15.24	.920/23.37	1.06/26.92	1.06/26.92	15u"/.38u Au OVER 50u"/1.27u Ni	C
-345 (LF)	2x8			1.56/39.62	.700/17.78	1.020/25.91	1.16/29.46	1.16/29.46		D
-346 (LF)	2x10			1.76/44.70	.900/22.86	1.220/30.99	1.36/34.54	1.36/34.54		
-347 (LF)	2x13			2.06/52.32	1.200/30.48	1.520/38.61	1.66/42.16	1.66/42.16		
-348 (LF)	2x17			2.46/62.48	1.600/40.64	1.920/48.77	2.06/52.32	2.06/52.32		
-349 (LF)	2x20			2.76/70.10	1.900/48.26	2.220/56.39	2.36/59.94	2.36/59.94		
-350 (LF)	2x25			3.26/82.80	2.400/60.96	2.720/69.09	2.86/72.64	2.86/72.64		
-351 (LF)	2x30	LP	SQ	3.76/95.50	2.900/73.66	3.220/81.79	3.36/85.34	3.36/85.34	15u"/.38u Au OVER 50u"/1.27u Ni	D
-352 (LF)									UNAVAILABLE	
-353 (LF)										
-354 (LF)										
-355 (LF)										
-356 (LF)										
-357 (LF)										
-358 (LF)										
-359 (LF)										
67916-360(LF)									UNAVAILABLE	

mat'l. code				tolerances unless otherwise specified			CUSTOMER COPY		 www.fciconnect.com	
ltr	ecn no	dr	date	linear	.XX±.01/.X±.3			projection	 title HEADER, QUICKIE SEA, HORSE, RIGHT ANGLE	
E					.XXX±.005/.XX±.13					
					.XXX±.0020/.XXX±.051					
				angles	0°±2°			 INCH/MM scale 5:1	product family QUICKIE	
				dr	J. SHREINER	7/16/90	code -			
				enr	M. SMYK	7/16/90	sheet 13 of 20			
				chr	M. SMYK	7/16/90	size A			
				appd	M. SMYK	7/16/90	67916			
sheet index	revision sheet									

Tous droits strictement reserves. Reproduction ou communication a des tiers interdite sous quelque forme que ce soit sans autorisation ecrite du proprietaire. Propriete de c FCI. Droits de reproduction FCI.



All rights strictly reserved. Reproduction or issue to third parties in any form whatever is not permitted without written authority from the proprietor. Property of FCI. Copyright FCI.

PRODUCT NO.	SIZE	LATCHES NOTE 9	PIN SHAPE	DIM A	DIM B	DIM C	DIM D	DIM E	TERMINAL PLATING NOTE 13	STYLE
67916-361(LF)									UNAVAILABLE	
-362 (LF)	2x5	NO	RND	1.26/32.0	.400/10.16	.720/18.29	.105/2.67	.86/21.84	30u"/.76u Au OVER 50u"/1.27u Ni	B
-363 (LF)		NO	RND						15u"/.38u Au OVER 50u"/1.27u Ni	
-364 (LF)		NO	RND						30u"/.76u GXT/GOLD FLASH	
-365 (LF)		NO	SQ						150u"/3.81u Sn	
-366 (LF)		STD	RND						30u"/.76u Au OVER 50u"/1.27u Ni	
-367 (LF)		STD	RND						15u"/.38u Au OVER 50u"/1.27u Ni	
-368 (LF)		STD	RND						30u"/.76u GXT/GOLD FLASH	
-369 (LF)		STD	SQ						150u"/3.81u Sn	
-370 (LF)		LP	RND						30u"/.76u Au OVER 50u"/1.27u Ni	
-371 (LF)		LP	RND						15u"/.38u Au OVER 50u"/1.27u Ni	
-372 (LF)		LP	RND						30u"/.76u GXT/GOLD FLASH	
-373 (LF)		LP	SQ				.105/2.67		150u"/3.81u Sn	
-374 (LF)		NO	RND				.150/3.81		30u"/.76u Au OVER 50u"/1.27u Ni	
-375 (LF)		NO	RND						15u"/.38u Au OVER 50u"/1.27u Ni	
-376 (LF)		NO	RND						30u"/.76u GXT/GOLD FLASH	
-377 (LF)		NO	SQ						150u"/3.81u Sn	
-378 (LF)		STD	RND						30u"/.76u Au OVER 50u"/1.27u Ni	
-379 (LF)		STD	RND						15u"/.38u Au OVER 50u"/1.27u Ni	
-380 (LF)		STD	RND						30u"/.76u GXT/GOLD FLASH	
-381 (LF)		STD	SQ						150u"/3.81u Sn	
-382 (LF)		LP	RND						30u"/.76u Au OVER 50u"/1.27u Ni	
-383 (LF)		LP	RND						15u"/.38u Au OVER 50u"/1.27u Ni	
-384 (LF)		LP	RND						30u"/.76u GXT/GOLD FLASH	
-385 (LF)		LP	SQ				.150/3.81		150u"/3.81u Sn	
-386 (LF)		NO	SQ				.675/17.15		30u"/.76u Au OVER 50u"/1.27u Ni	
-387 (LF)		NO							15u"/.38u Au OVER 50u"/1.27u Ni	
-388 (LF)		NO							30u"/.76u GXT/GOLD FLASH	
-389 (LF)		NO							150u"/3.81u Sn	
-390 (LF)		STD							30u"/.76u Au OVER 50u"/1.27u Ni	
-391 (LF)		STD							15u"/.38u Au OVER 50u"/1.27u Ni	
-392 (LF)		STD							30u"/.76u GXT/GOLD FLASH	
-393 (LF)		STD							150u"/3.81u Sn	
-394 (LF)		LP							30u"/.76u Au OVER 50u"/1.27u Ni	
-395 (LF)		LP							15u"/.38u Au OVER 50u"/1.27u Ni	
67916-398(LF)	2x5	LP	SQ	1.26/32.0	.400/10.16	.720/18.29	.675/17.15	.86/21.84	30u"/.76u GXT/GOLD FLASH	B

mat'l. code				tolerances unless otherwise specified				CUSTOMER COPY		FCI www.fciconnect.com	
ltr	ecn no	dr	date	linear	.XX±.01/.X±.3			projection	title		
E					.XXX±.005/.XX±.13				HEADER, QUICKIE		
					.XXX±.0020/.XXX±.051				SEA, HORSE, RIGHT ANGLE		
				angles	0°±2°			INCH/MM ←→	product family		code
				dr	J. SHREINER	7/16/90	QUICKIE		-		
				enr	M. SMYK	7/16/90	size		dwg no		
				chr	M. SMYK	7/16/90	A		67916		
				appd	M. SMYK	7/16/90	scale	5:1		sheet	
sheet index	revision sheet									14 of 20	



PRODUCT NO.	SIZE	LATCHES NOTE 9	PIN SHAPE	DIM A	DIM B	DIM C	DIM D	DIM E	TERMINAL PLATING NOTE 13	STYLE
67916-397(LF)	2x5	LP	SQ	1.26/32.00	.400/10.16	.720/18.29	.675/17.15	.86/21.84	150u"/3.81u Sn	B
-398(LF)	2x10	LP	RND	1.76/44.70	.900/22.86	1.220/30.99	.105/2.67	1.36/34.54	30u"/.76u Au OVER 50u"/1.27u Ni	D
-399(LF)									UNASSIGNED	
-400(LF)										
-401(LF)										
-402(LF)										
-403(LF)										
-404(LF)									UNASSIGNED	
-405(LF)	2x5	NO	SQ	1.26/32.00	.400/10.16	.720/18.29	.105/2.67	.86/21.84	30u"/.76u Au OVER 50u"/1.27u Ni	B
-406(LF)		STD					.105/2.67			
-407(LF)		LP					.105/2.67			
-408(LF)		NO					.150/3.81			
-409(LF)		STD					.150/3.81			
-410(LF)	2x5	LP		1.26/32.00	.400/10.16	.720/18.29	.150/3.81	.86/21.84		B
-411(LF)	2x7	NO		1.46/37.08	.600/15.24	.920/23.37	.105/2.67	1.06/26.92		C
-412(LF)		STD					.105/2.67			
-413(LF)		LP					.105/2.67			
-414(LF)		NO					.150/3.81			
-415(LF)		STD					.150/3.81			
-416(LF)	2x7	LP		1.46/37.08	.600/15.24	.920/23.37	.150/3.81	1.06/26.92		C
-417(LF)	2x8	NO		1.56/39.62	.700/17.78	1.020/25.91	.105/2.67	1.16/29.46		D
-418(LF)		STD					.105/2.67			
-419(LF)		LP					.105/2.67			
-420(LF)		NO					.150/3.81			
-421(LF)		STD					.150/3.81			
-422(LF)	2x8	LP		1.56/39.62	.700/17.78	1.020/25.91	.150/3.81	1.16/29.46		
-423(LF)	2x10	NO		1.76/44.70	.900/22.86	1.220/30.99	.105/2.67	1.36/34.54		
-424(LF)		STD					.105/2.67			
-425(LF)		LP					.105/2.67			
-426(LF)		NO					.150/3.81			
-427(LF)		STD					.150/3.81			
-428(LF)	2x10	LP		1.76/44.70	.900/22.86	1.220/30.99	.150/3.81	1.36/34.54		
-429(LF)	2x13	NO		2.06/52.32	1.200/30.48	1.520/38.61	.105/2.67	1.66/42.16		
-430(LF)		STD					.105/2.67			
-431(LF)		LP					.105/2.67			
67916-432(LF)	2x13	NO	SQ	2.06/52.32	1.200/30.48	1.520/38.61	.150/3.81	1.66/42.16	30u"/.76u Au OVER 50u"/1.27u Ni	D

mat'l. code				tolerances unless otherwise specified				CUSTOMER COPY		FCI www.fciconnect.com	
ltr	ecn no	dr	date	linear	.XX±.01/.X±.3			projection ⊕	title HEADER, QUICKIE		
E					.XXX±.005/.XX±.13				SEA, HORSE, RIGHT ANGLE		
					.XXX±.0020/.XXX±.051				product family QUICKIE		
				angles	0°±2°			INCH/MM ←→	code -		
				dr	J. SHREINER	7/16/90	scale 5:1		sheet 15 of 20		
				enr	M. SMYK	7/16/90			A 67916		
				chr	M. SMYK	7/16/90					
				appd	M. SMYK	7/16/90					
sheet index	revision sheet										

Tous droits strictement reserves. Reproduction ou communication a des tiers interdite sous quelque forme que ce soit sans autorisation ecrite du proprietaire. Propriete de c FCI. Droits de reproduction FCI.



All rights strictly reserved. Reproduction or issue to third parties in any form whatever is not permitted without written authority from the proprietor. Property of FCI. Copyright FCI.

PRODUCT NO.	SIZE	LATCHES NOTE 9	PIN SHAPE	DIM A	DIM B	DIM C	DIM D	DIM E	TERMINAL PLATING NOTE 13	STYLE
67916-433 (LF)	2x13	STD	SQ	2.06/52.32	1.200/30.48	1.520/38.61	.150/3.81	1.66/42.16	15u"/.38 Au OVER 50u"/1.27u Ni	D
-434 (LF)	2x13	LP		2.06/52.32	1.200/30.48	1.520/38.61	.150/3.81	1.66/42.16		
-435 (LF)	2x17	NO		2.46/62.48	1.600/40.64	1.920/48.77	.105/2.67	2.06/52.32		
-436 (LF)		STD					.105/2.67			
-437 (LF)		LP					.105/2.67			
-438 (LF)		NO					.150/3.81			
-439 (LF)		STD					.150/3.81			
-440 (LF)	2x17	LP		2.46/62.48	1.600/40.64	1.920/48.77	.150/3.81	2.06/52.32		
-441 (LF)	2x20	NO		2.76/70.10	1.900/48.26	2.220/56.39	.105/2.67	2.36/59.94		
-442 (LF)		STD					.105/2.67			
-443 (LF)		LP					.105/2.67			
-444 (LF)		NO					.150/3.81			
-445 (LF)		STD					.150/3.81			
-446 (LF)	2x20	LP		2.76/70.10	1.900/48.26	2.220/56.39	.150/3.81	2.36/59.94		
-447 (LF)	2x25	NO		3.26/82.80	2.400/60.96	2.720/69.09	.105/2.67	2.86/72.64		
-448 (LF)		STD					.105/2.67			
-449 (LF)		LP					.105/2.67			
-450 (LF)		NO					.150/3.81			
-451 (LF)		STD					.150/3.81			
-452 (LF)	2x25	LP		3.26/82.80	2.400/60.96	2.720/69.09	.150/3.81	2.86/72.64		
-453 (LF)	2x30	NO		3.76/95.50	2.900/73.66	3.220/81.79	.105/2.67	3.36/85.34		
-454 (LF)		STD					.105/2.67			
-455 (LF)		LP					.105/2.67			
-456 (LF)		NO					.150/3.81			
-457 (LF)		STD					.150/3.81			
-458 (LF)	2x30	LP	SQ	3.76/95.50	2.900/73.66	3.220/81.79	.150/3.81	3.36/85.34		
-459 (LF)	2x12	NO	RND	1.96/49.78	1.100/27.94	1.420/36.07	.105/2.67	1.56/39.62		
-460 (LF)		STD								
-461 (LF)		LP							15u"/.38 Au OVER 50u"/1.27u Ni	
-462 (LF)		NO							30u"/.76 Au OVER 50u"/1.27u Ni	
-463 (LF)		STD							30u"/.76 Au OVER 50u"/1.27u Ni	
-464 (LF)		LP							30u"/.76 Au OVER 50u"/1.27u Ni	
-465 (LF)		NO							30u"/.76 GXT/GOLD FLASH	
-466 (LF)		STD							30u"/.76 GXT/GOLD FLASH	
-467 (LF)		LP	RND						30u"/.76 GXT/GOLD FLASH	
67916-468 (LF)	2x12	NO	SQ	1.96/49.78	1.100/27.94	1.420/36.07	.105/2.67	1.56/39.62	150u"/3.81u TIN	D

mat'l. code				tolerances unless otherwise specified			CUSTOMER COPY		FCI www.fciconnect.com		
ltr	ecn no	dr	date	linear	.XX±.01/.X±.3		projection	title HEADER, QUICKIE SEA, HORSE, RIGHT ANGLE			
E					.XXX±.005/.XX±.13						
					.XXX±.0020/.XXX±.051						
				angles	0°±2°		INCH/MM	product family QUICKIE			
				dr	J. SHREINER	7/16/90		scale 5:1	size A		code -
				enr	M. SMYK	7/16/90	sheet 16 of 20				
				chr	M. SMYK	7/16/90					
				appd	M. SMYK	7/16/90					
sheet index	revision sheet										

Tous droits strictement reserves. Reproduction ou communication a des tiers interdite sous quelque forme que ce soit sans autorisation ecrite du proprietaire. Propriete de c FCI. Droits de reproduction FCI.



All rights strictly reserved. Reproduction or issue to third parties in any form whatever is not permitted without written authority from the proprietor. Property of FCI. Copyright FCI.

PRODUCT NO.	SIZE	LATCHES NOTE 9	PIN SHAPE	DIM A	DIM B	DIM C	DIM D	DIM E	TERMINAL PLATING NOTE 13	STYLE
67916-469(LF)	2x12	STD	SQ	1.96/49.78	1.100/27.94	1.420/36.07	.105/2.67	1.56/39.62	150u"/3.81u TIN	D
-470(LF)		LP	SQ				.105/2.67		150u"/3.81u TIN	
-471(LF)		NO	RND				.150/3.81		15u"/.38u Au OVER 50U"/1.27u Ni	
-472(LF)		STD							15u"/.38u Au OVER 50U"/1.27u Ni	
-473(LF)		LP							15u"/.38u Au OVER 50U"/1.27u Ni	
-474(LF)		NO							30u"/.76u Au OVER 50U"/1.27u Ni	
-475(LF)		STD							30u"/.76u Au OVER 50U"/1.27u Ni	
-476(LF)		LP							30u"/.76u Au OVER 50U"/1.27u Ni	
-477(LF)		NO							30u"/.76u GXT /GOLD FLASH	
-478(LF)		STD							30u"/.76u GXT /GOLD FLASH	
-479(LF)		LP	RND						30u"/.76u GXT /GOLD FLASH	
-480(LF)		NO	SQ						150u"/3.81u TIN	
-481(LF)		STD							150u"/3.81u TIN	
-482(LF)		LP					.150/3.81		150u"/3.81u TIN	
-483(LF)		NO					.105/2.67		15u"/.38u Au OVER 50U"/1.27u Ni	
-484(LF)		STD							15u"/.38u Au OVER 50U"/1.27u Ni	
-485(LF)		LP							15u"/.38u Au OVER 50U"/1.27u Ni	
-486(LF)		NO							30u"/.76u Au OVER 50U"/1.27u Ni	
-487(LF)		STD							30u"/.76u Au OVER 50U"/1.27u Ni	
-488(LF)		LP					.105/2.67		30u"/.76u Au OVER 50U"/1.27u Ni	
-489(LF)		NO					.150/3.81		15u"/.38u Au OVER 50U"/1.27u Ni	
-490(LF)		STD					.150/3.81		15u"/.38u Au OVER 50U"/1.27u Ni	
-491(LF)		LP					.150/3.81		15u"/.38u Au OVER 50U"/1.27u Ni	
-492(LF)		NO					.675/17.15		15u"/.38u Au OVER 50U"/1.27u Ni	
-493(LF)		STD							15u"/.38u Au OVER 50U"/1.27u Ni	
-494(LF)		LP							15u"/.38u Au OVER 50U"/1.27u Ni	
-495(LF)		NO							30u"/.76u Au OVER 50U"/1.27u Ni	
-496(LF)		STD							30u"/.76u Au OVER 50U"/1.27u Ni	
-497(LF)		LP							30u"/.76u Au OVER 50U"/1.27u Ni	
-498(LF)		NO							30u"/.76u GXT /GOLD FLASH	
-499(LF)		STD							30u"/.76u GXT /GOLD FLASH	
-500(LF)		LP							30u"/.76u GXT /GOLD FLASH	
-501(LF)		NO							150u"/3.81u TIN	
-502(LF)		STD							150u"/3.81u TIN	
-503(LF)	2x12	LP	SQ	1.96/49.78	1.100/27.94	1.420/36.07	.675/17.15	1.56/39.62	150u"/3.81u TIN	
67916-504(LF)	2x15	NO	RND	2.26/57.40	1.400/35.56	1.720/43.69	.105/2.67	1.86/47.24	15u"/.38u Au OVER 50U"/1.27u Ni	D

mat'l. code				tolerances unless otherwise specified			CUSTOMER COPY		 www.fciconnect.com	
ltr	ecn no	dr	date	linear	.XX±.01/.X±.3			projection	 title HEADER, QUICKIE SEA, HORSE, RIGHT ANGLE	
E					.XXX±.005/.XX±.13					
					.XXX±.0020/.XXX±.051					
				angles	0°±2°			 INCH/MM	product family QUICKIE	
				dr	J. SHREINER	7/16/90	scale 5:1		code -	
				enr	M. SMYK	7/16/90			sheet 17 of 20	
				chr	M. SMYK	7/16/90			size1 dwg no	
				appd	M. SMYK	7/16/90		A 67916		
sheet index	revision sheet									

Tous droits strictement reserves. Reproduction ou communication a des tiers interdite sous quelque forme que ce soit sans autorisation ecrite du proprietaire. Propriete de c FCI. Droits de reproduction FCI.



All rights strictly reserved. Reproduction or issue to third parties in any form whatever is not permitted without written authority from the proprietor. Property of FCI. Copyright FCI.

PRODUCT NO.	SIZE	LATCHES NOTE 9	PIN SHAPE	DIM A	DIM B	DIM C	DIM D	DIM E	TERMINAL PLATING NOTE 13	STYLE
67916-505 (LF)	2x15	STD	RND	2.26/57.40	1.400/35.56	1.720/43.69	.105/2.67	1.86/47.24	15u"/.38u Au OVER 50u"/1.27u Ni	D
-506 (LF)		LP							15u"/.38u Au OVER 50u"/1.27u Ni	
-507 (LF)		NO							30u"/.76u Au OVER 50u"/1.27u Ni	
-508 (LF)		STD							30u"/.76u Au OVER 50u"/1.27u Ni	
-509 (LF)		LP							30u"/.76u Au OVER 50u"/1.27u Ni	
-510 (LF)		NO							30u"/.76u GXT /GOLD FLASH	
-511 (LF)		STD							30u"/.76u GXT /GOLD FLASH	
-512 (LF)		LP	RND						30u"/.76u GXT /GOLD FLASH	
-513 (LF)		NO	SQ						150u"/3.81u TIN	
-514 (LF)		STD	SQ						150u"/3.81u TIN	
-515 (LF)		LP	SQ				.105/2.67		150u"/3.81u TIN	
-516 (LF)		NO	RND				.150/3.81		15u"/.38u Au OVER 50u"/1.27u Ni	
-517 (LF)		STD							15u"/.38u Au OVER 50u"/1.27u Ni	
-518 (LF)		LP							15u"/.38u Au OVER 50u"/1.27u Ni	
-519 (LF)		NO							30u"/.76u Au OVER 50u"/1.27u Ni	
-520 (LF)		STD							30u"/.76u Au OVER 50u"/1.27u Ni	
-521 (LF)		LP							30u"/.76u Au OVER 50u"/1.27u Ni	
-522 (LF)		NO							30u"/.76u GXT /GOLD FLASH	
-523 (LF)		STD							30u"/.76u GXT /GOLD FLASH	
-524 (LF)		LP	RND						30u"/.76u GXT /GOLD FLASH	
-525 (LF)		NO	SQ						150u"/3.81u TIN	
-526 (LF)		STD							150u"/3.81u TIN	
-527 (LF)		LP					.150/3.81		150u"/3.81u TIN	
-528 (LF)		NO					.105/2.67		15u"/.38u Au OVER 50u"/1.27u Ni	
-529 (LF)		STD							15u"/.38u Au OVER 50u"/1.27u Ni	
-530 (LF)		LP							15u"/.38u Au OVER 50u"/1.27u Ni	
-531 (LF)		NO							30u"/.76u Au OVER 50u"/1.27u Ni	
-532 (LF)		STD							30u"/.76u Au OVER 50u"/1.27u Ni	
-533 (LF)		LP					.105/2.67		30u"/.76u Au OVER 50u"/1.27u Ni	
-534 (LF)		NO					.150/3.81		15u"/.38u Au OVER 50u"/1.27u Ni	
-535 (LF)		STD					.150/3.81		15u"/.38u Au OVER 50u"/1.27u Ni	
-536 (LF)		LP					.150/3.81		15u"/.38u Au OVER 50u"/1.27u Ni	
-537 (LF)		NO					.675/17.15		15u"/.38u Au OVER 50u"/1.27u Ni	
-538 (LF)		STD							15u"/.38u Au OVER 50u"/1.27u Ni	
-539 (LF)		LP							15u"/.38u Au OVER 50u"/1.27u Ni	
67916-540 (LF)	2x15	NO	SQ	2.26/57.40	1.400/35.56	1.720/43.69	.675/17.15	1.86/47.24	30u"/.76u Au OVER 50u"/1.27u Ni	D

mat'l. code				tolerances unless otherwise specified			CUSTOMER COPY		 www.fciconnect.com	
ltr	ecn no	dr	date	linear	.XX±.01/.X±.3			projection	title	
E					.XXX±.005/.XX±.13				HEADER, QUICKIE	
					.XXX±.0020/.XXX±.051				SEA, HORSE, RIGHT ANGLE	
				angles	0°±2°			 INCH/MM	product family	
				dr	J. SHREINER	7/16/90	QUICKIE		code	
				enr	M. SMYK	7/16/90	-		sheet	
				chr	M. SMYK	7/16/90	67916		18 of 20	
				appd	M. SMYK	7/16/90	scale	A		
sheet index	revision sheet						5:1			



PRODUCT NO.	SIZE	LATCHES NOTE 9	PIN SHAPE	DIM A	DIM B	DIM C	DIM D	DIM E	TERMINAL PLATING NOTE 13	STYLE
67916-541(LF)	2x15	STD	SQ	2.26/57.40	1.400/35.56	1.720/43.69	.675/17.15	1.86/47.24	30u"/.76u Au OVER 50u"/1.27u Ni	D
-542(LF)		LP							30u"/.76u Au OVER 50u"/1.27u Ni	
-543(LF)		NO							30u"/.76u GXT /GOLD FLASH	
-544(LF)		STD							30u"/.76u GXT /GOLD FLASH	
-545(LF)		LP							30u"/.76u GXT /GOLD FLASH	
-546(LF)		NO							150u"/3.81u TIN	
-547(LF)		STD							150u"/3.81u TIN	
-548(LF)	2x15	LP	SQ	2.26/57.40	1.400/35.56	1.720/43.69	.675/17.15	1.86/47.24	150u"/3.81u TIN	
-549(LF)	2x22	NO	RND	2.96/75.18	2.100/53.34	2.420/61.47	.105/2.67	2.56/65.02	15u"/.38u Au OVER 50u"/1.27u Ni	
-550(LF)		STD							15u"/.38u Au OVER 50u"/1.27u Ni	
-551(LF)		LP							15u"/.38u Au OVER 50u"/1.27u Ni	
-552(LF)		NO							30u"/.76u Au OVER 50u"/1.27u Ni	
-553(LF)		STD							30u"/.76u Au OVER 50u"/1.27u Ni	
-554(LF)		LP							30u"/.76u Au OVER 50u"/1.27u Ni	
-555(LF)		NO							30u"/.76u GXT /GOLD FLASH	
-556(LF)		STD							30u"/.76u GXT /GOLD FLASH	
-557(LF)		LP	RND						30u"/.76u GXT /GOLD FLASH	
-558(LF)		NO	SQ						150u"/3.81u TIN	
-559(LF)		STD	SQ						150u"/3.81u TIN	
-560(LF)		LP	SQ				.105/2.67		150u"/3.81u TIN	
-561(LF)		NO	RND				.150/3.81		15u"/.38u Au OVER 50u"/1.27u Ni	
-562(LF)		STD							15u"/.38u Au OVER 50u"/1.27u Ni	
-563(LF)		LP							15u"/.38u Au OVER 50u"/1.27u Ni	
-564(LF)		NO							30u"/.76u Au OVER 50u"/1.27u Ni	
-565(LF)		STD							30u"/.76u Au OVER 50u"/1.27u Ni	
-566(LF)		LP							30u"/.76u Au OVER 50u"/1.27u Ni	
-567(LF)		NO							30u"/.76u GXT /GOLD FLASH	
-568(LF)		STD							30u"/.76u GXT /GOLD FLASH	
-569(LF)		LP	RND						30u"/.76u GXT /GOLD FLASH	
-570(LF)		NO	SQ						150u"/3.81u TIN	
-571(LF)		STD							150u"/3.81u TIN	
-572(LF)		LP					.150/3.81		150u"/3.81u TIN	
-573(LF)		NO					.105/2.67		15u"/.38u Au OVER 50u"/1.27u Ni	
-574(LF)		STD							15u"/.38u Au OVER 50u"/1.27u Ni	
-575(LF)		LP							15u"/.38u Au OVER 50u"/1.27u Ni	
67916-576(LF)	2x22	NO	SQ	2.96/75.18	2.100/53.34	2.420/61.47	.105/2.67	2.56/65.02	30u"/.76u Au OVER 50u"/1.27u Ni	D

mat'l. code				tolerances unless otherwise specified			CUSTOMER COPY		FCI www.fciconnect.com	
ltr	ecn no	dr	date	linear	.XX±.01/.X±.3		projection	title HEADER, QUICKIE SEA, HORSE, RIGHT ANGLE		
E					.XXX±.005/.XX±.13					
					.XXX±.0020/.XXX±.051					
				angles	0°±2°		INCH/MM ←→	product family		code
				dr	J. SHREINER	7/16/90		QUICKIE		-
				enrg	M. SMYK	7/16/90		size		dwg no
				chr	M. SMYK	7/16/90		A		67916
				appd	M. SMYK	7/16/90	scale	5:1		sheet
sheet index	revision sheet									19 of 20



PRODUCT NO.	SIZE	LATCHES NOTE 9	PIN SHAPE	DIM A	DIM B	DIM C	DIM D	DIM E	TERMINAL PLATING NOTE 13	STYLE
67916-577(LF)	2x22	STD	SQ	2.960/75.18	2.100/53.34	2.420/61.47	.105/2.67	2.56/65.02	30u"/.76u Au OVER 50U"/1.27u Ni	D
-578(LF)		LP					.105/2.67		30u"/.76u Au OVER 50U"/1.27u Ni	
-579(LF)		NO					.150/3.81		15u"/.38u Au OVER 50U"/1.27u Ni	
-580(LF)		STD					.150/3.81		15u"/.38u Au OVER 50U"/1.27u Ni	
-581(LF)		LP					.150/3.81		15u"/.38u Au OVER 50U"/1.27u Ni	
-582(LF)		NO					.675/17.15		15u"/.38u Au OVER 50U"/1.27u Ni	
-583(LF)		STD							15u"/.38u Au OVER 50U"/1.27u Ni	
-584(LF)		LP							15u"/.38u Au OVER 50U"/1.27u Ni	
-585(LF)		NO							30u"/.76u Au OVER 50U"/1.27u Ni	
-586(LF)		STD							30u"/.76u Au OVER 50U"/1.27u Ni	
-587(LF)		LP							30u"/.76u Au OVER 50U"/1.27u Ni	
-588(LF)		NO							30u"/.76u GXT /GOLD FLASH	
-589(LF)		STD							30u"/.76u GXT /GOLD FLASH	
-590(LF)		LP							30u"/.76u GXT /GOLD FLASH	
-591(LF)		NO							150u"/3.81u TIN	
-592(LF)		STD							150u"/3.81u TIN	
-593(LF)	2x22	LP	SQ	2.960/75.18	2.100/53.34	2.420/61.47	.675/17.15	2.56/65.02	150u"/3.81u TIN	D
-594(LF)	U N A V A I L A B L E									
-595(LF)	2x13	STD	RND	2.060/52.32	1.200/30.48	1.520/38.61	.105/2.67	1.66/42.2	50u"/1.27u Au OVER 50U"/1.27u Ni	D
-596(LF)	2x17	STD		2.460/62.48	1.600/40.64	1.920/48.77	.150/3.81	2.06/53.3		D
-597(LF)	2x7	LP		1.460/37.08	.600/15.24	.920/23.67	.105/2.67	1.06/26.9		C
-598(LF)	2x13	LP		2.060/52.32	1.200/30.48	1.520/38.61	.150/3.81	1.66/42.2		D
-599(LF)	2x13	NO		2.060/52.32	1.200/30.48	1.520/38.61	.105/2.67	1.66/42.2		D
-600(LF)	2x17	NO		2.460/62.48	1.600/40.64	1.920/48.77	.150/3.81	2.06/53.3		D
-601(LF)	2x7	NO		1.460/37.08	.600/15.24	.920/23.67	.105/2.67	1.06/26.9		C
-602(LF)	2x13	NO	RND	2.060/52.32	1.200/30.48	1.520/38.61	.150/3.81	1.66/42.2	50u"/1.27u Au OVER 50U"/1.27u Ni	D
-603(LF)	2x13	STD	SQ	2.060/52.32	1.200/30.48	1.520/38.61	.105/2.67	1.66/42.2	30u"/.76u GXT /GOLD FLASH	D
-604(LF)	2x13	NO	SQ	2.060/52.32	1.200/30.48	1.520/38.61	.105/2.67	1.66/42.2	30u"/.76u GXT /GOLD FLASH	D
-605(LF)	2x25	STD	SQ	3.260/82.80	2.400/60.69	2.720/69.09	.105/2.67	2.86/72.6	30u"/.76u GXT /GOLD FLASH	D
-606(LF)	2x25	NO	SQ	3.260/82.80	2.400/60.69	2.720/69.09	.105/2.67	2.86/72.6	30u"/.76u GXT /GOLD FLASH	D
-607(LF)	U N A V A I L A B L E									
67916-608(LF)	U N A V A I L A B L E									

mat'l. code				tolerances unless otherwise specified				CUSTOMER COPY		FCI www.fciconnect.com	
ltr	ecn no	dr	date	linear	.XX±.01/.X±.3			projection	title		
E					.XXX±.005/.XX±.13				HEADER, QUICKIE		
					.XXX±.0020/.XXX±.051				SEA, HORSE, RIGHT ANGLE		
				angles	0°±2°			INCH/MM	product family		code
				dr	J. SHREINER	7/16/90	scale		QUICKIE		-
				enr	M. SMYK	7/16/90			5:1	A	
				chr	M. SMYK	7/16/90		67916		20 of 20	
				appd	M. SMYK	7/16/90					
sheet index	revision sheet										