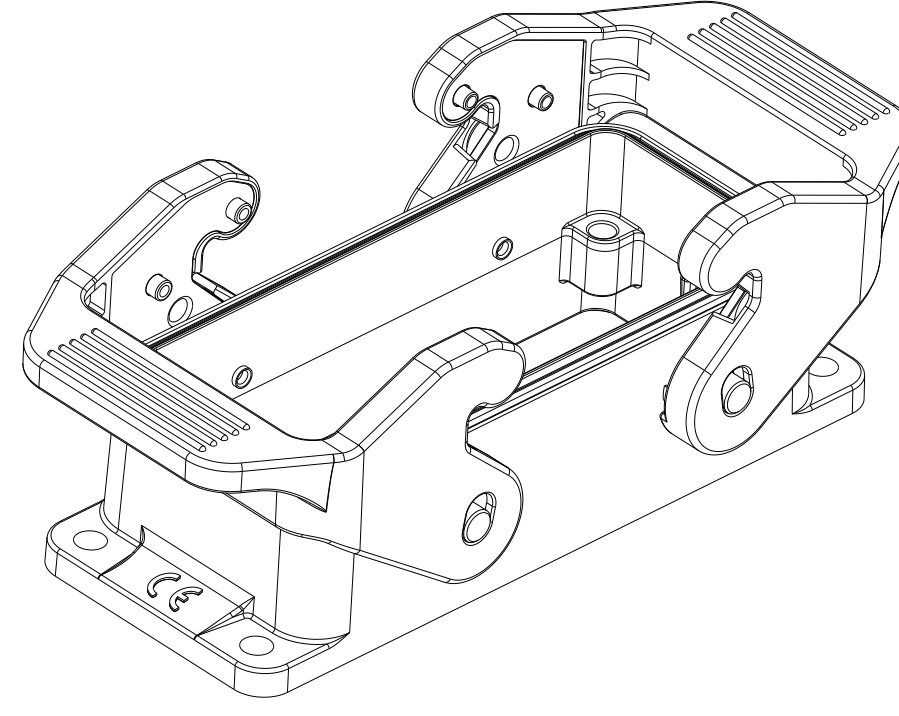
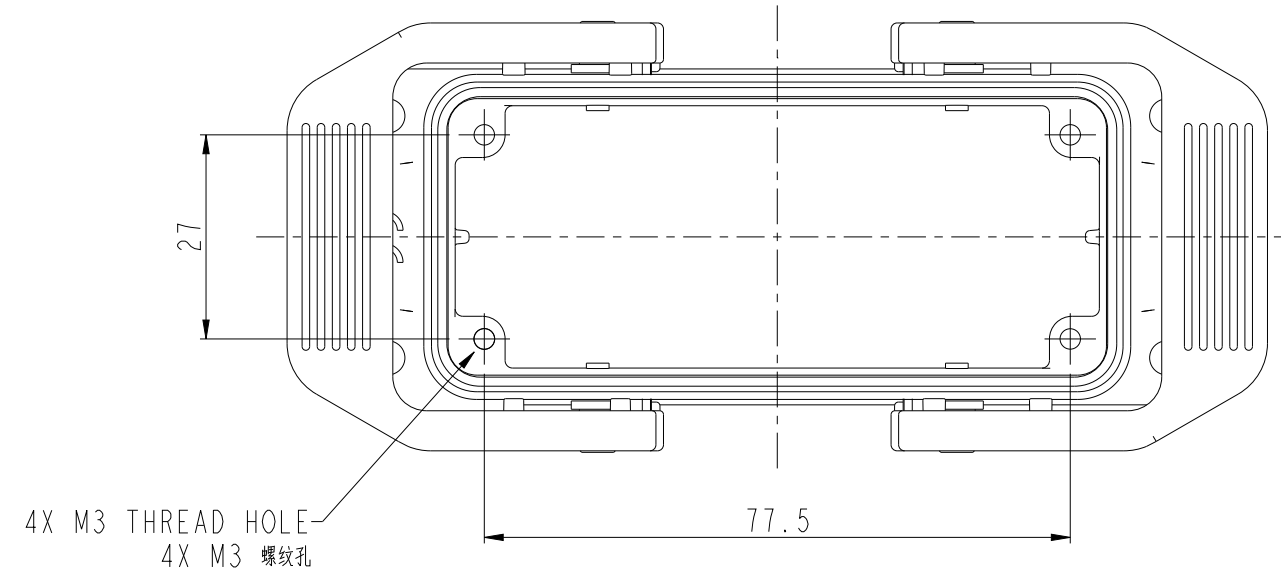


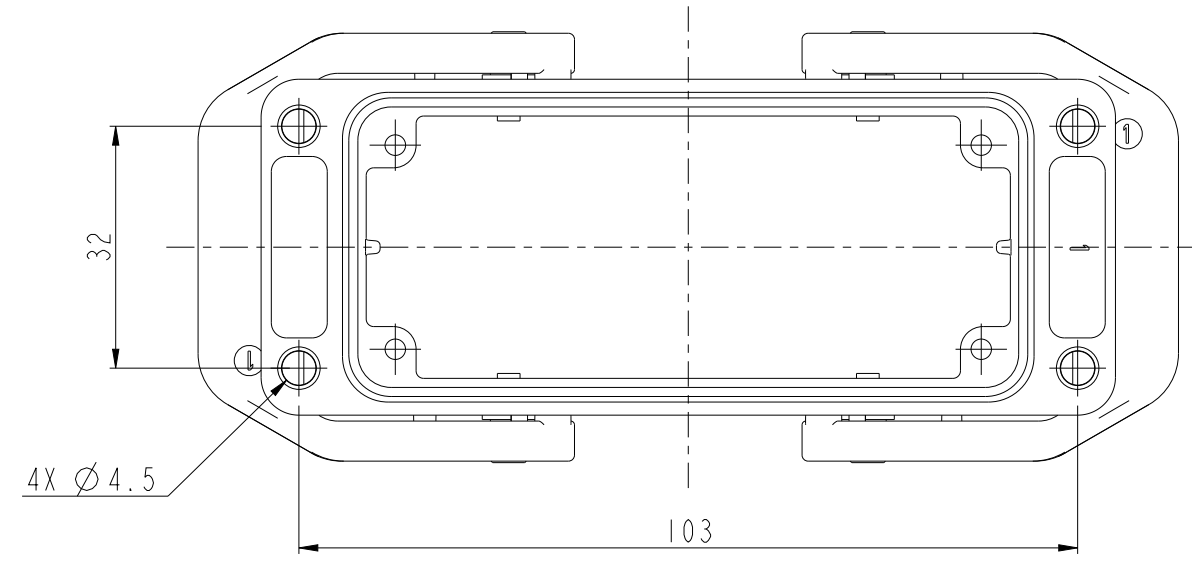
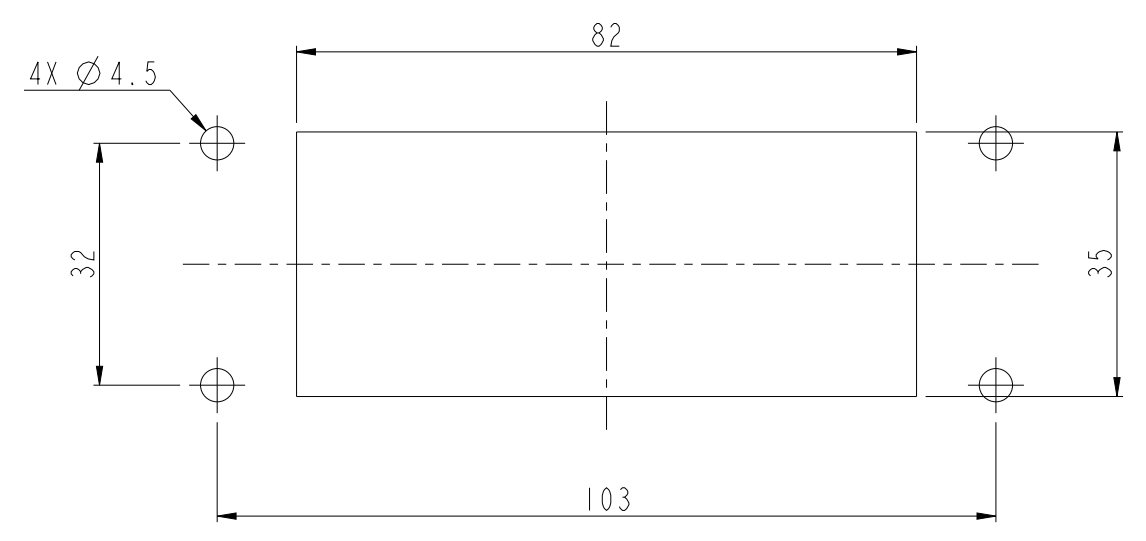
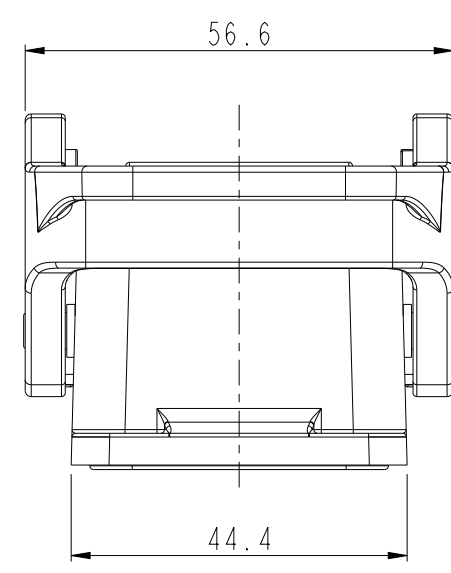
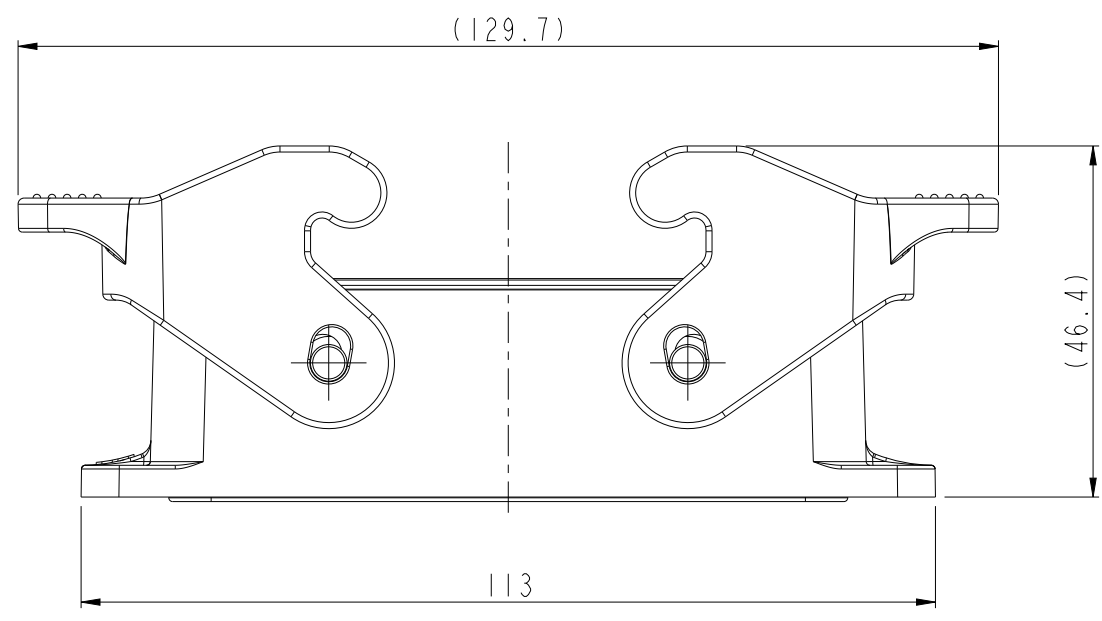
THIS DRAWING IS UNPUBLISHED. RELEASED FOR PUBLICATION 20
 © COPYRIGHT 20 BY - ALL RIGHTS RESERVED.

REVISIONS					
P	LTR	DESCRIPTION	DATE	DWN	APVD
A		INITIAL	28OCT2017	QY	CW
B		ECR-20-014388	08DEC2020	WOR	CW
BI		ECR-21-105138	30JUN2021	WOR	CW



NOTES:
 I. TECHNICAL CHARACTERISTICS:
 HOOD MATERIAL: DIE CAST ALUMINIUM ALLOY
 SURFACE: CONDUCTIVE PAINTING
 DEGREE OF PROTECTION: IP65 (MATED)

注释:
 I. 技术参数:
 外壳材料: 铝合金
 表面处理: 喷导电漆
 防护等级: IP65(配合)



T1415164000-000		H16B-AG-SL-EMC	H16B EMC HOUSING, BULKHEAD MOUNTED, PLASTIC DOUBLE LOCKING H16B屏蔽下壳, 开孔安装, 塑料双扣		
PART NUMBER 料号		PART DESCRIPTION 描述			
THIS DRAWING IS A CONTROLLED DOCUMENT.		DWN	28OCT2017		
		CHK	QIANG YUAN 28OCT2017		
		APVD	GINO YAO 28OCT2017		
		APVD	CHRIS WANG 28OCT2017		
DIMENSIONS: mm		PRODUCT SPEC 108-137016			
TOLERANCES UNLESS OTHERWISE SPECIFIED:		APPLICATION SPEC 114-137016			
0 PLC ±		WEIGHT			
1 PLC ±		-			
2 PLC ±		SIZE			
3 PLC ±		A2			
4 PLC ±		CAGE CODE			
ANGLES ±		00779			
FINISH		DRAWING NO			
-		G-T1415164000000			
-		RESTRICTED TO			
CUSTOMER DRAWING		SCALE 1:1 SHEET OF REV BI			