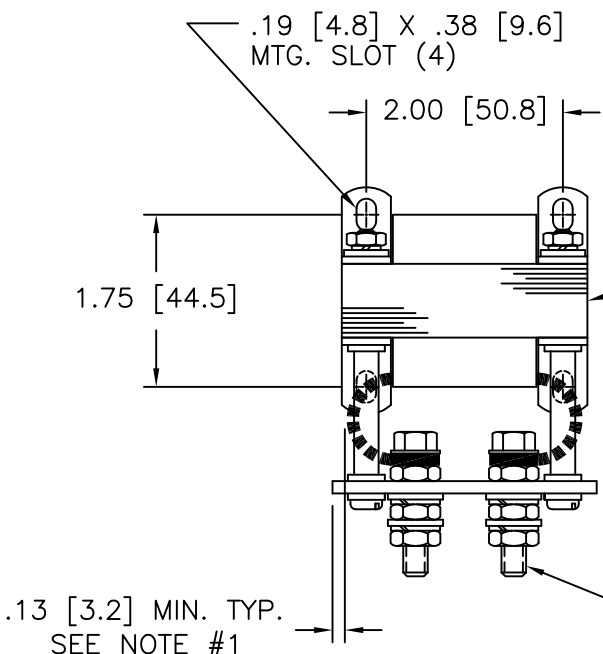
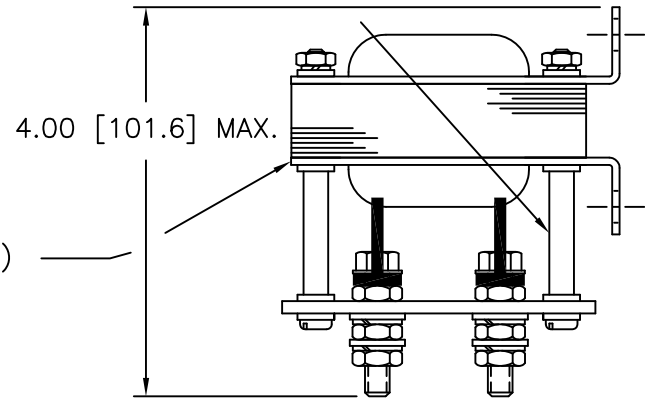


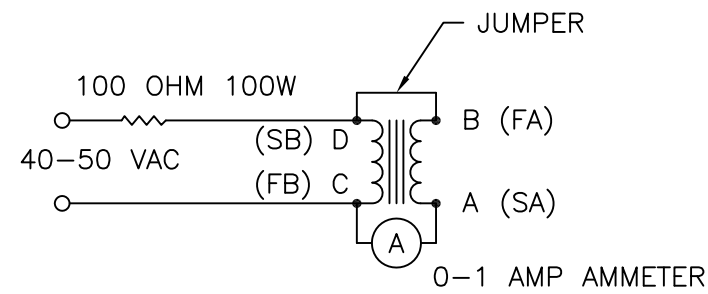
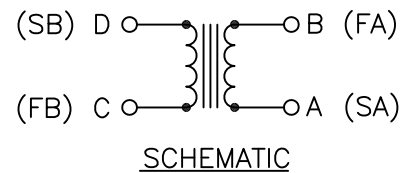
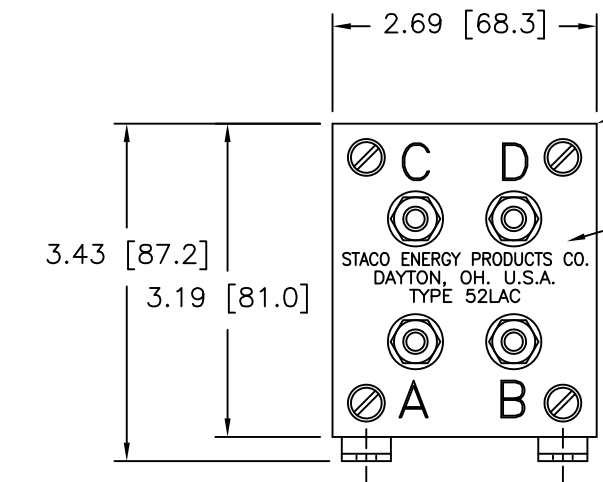
DWG. NO.	850-0181		
DWG. SIZE	C		
REVISIONS			
SYM.	E.C.N.	DATE	APVD.
K	24803	4/3/02	
REDRAWN TO CAD			



- 620-0908 SPACER (4)
- 596-0228-N6 #8-32 X 2-3/4 PHSMS (4)
- 732-0545-N6 #8 FWS (16)
- 732-0351-N6 #8 SLWS (4)
- 472-0101-N6 #8-32 HMSNS (4)



- 023-1666 CHOKE
- 657-0018-C7 BRACKET (4)
- 596-2145-N6 1/4-20 X 1-1/4 HHSMS (4)
- 472-0163-N6 1/4-20 HMSNS X .156 THK. (12)
- 732-0381-N6 1/4 SLWS (8)
- 732-0565-N6 #12 FWS (8)



NOTE:
1. CHOKE LEAD: SHALL BE DRESSED WITHIN INDICATED DIMENSION

READ APPROX. 0.2 AMPERES BETWEEN "C" AND "D" IF THE START AND FINISH OF EITHER WINDING IS REVERSED THE AMMETER WILL READ ZERO

UNLESS OTHERWISE SPECIFIED, TOLERANCE IS ±				UNITS IN [mm]	TITLE: OUTLINE CHOKE TYPE: 52LAC				 <small>A Components Corporation of America Company 302 Gaddis Boulevard Dayton, Ohio 45403 USA</small>	
DECIMALS	HOLES	ANGLES	DRAFT		DRAWN BY TIM RAU	DATE 4/3/02	FIRST USED ON	DO NOT SCALE DWG.		
.XX	.0005	.002	1° - 1-1/2°	MATERIAL	CHECKER SAS	DATE 4/9/02	WEIGHT APPROX.	CAGE CODE 83008	DWG. SIZE C	DWG. NO. 850-0181
ALL DIMENSIONS APPLY AFTER PLATING					ENGINEER	DATE	SCALE 1=1	SHEET 1 OF 1		
The information and design disclosed herein was originated by and is the property of STACO ENERGY PRODUCTS CO., which reserves all patent, proprietary, design, manufacturing, reproduction, use and sole rights thereto, and to any article disclosed therein except to the extent rights are expressly granted to others. The foregoing does not apply to vendor proprietary parts.										