

PART NO.
DWG. NO.

[B × 0.1M × C]

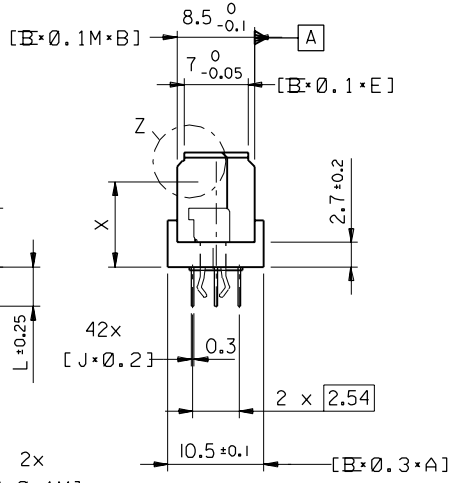
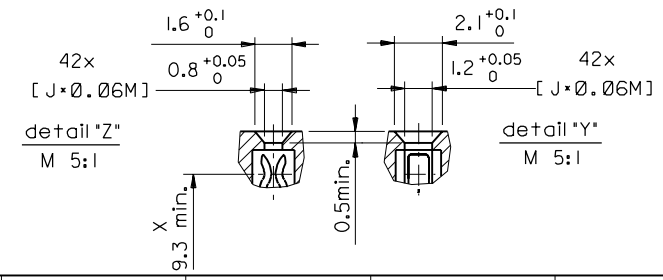
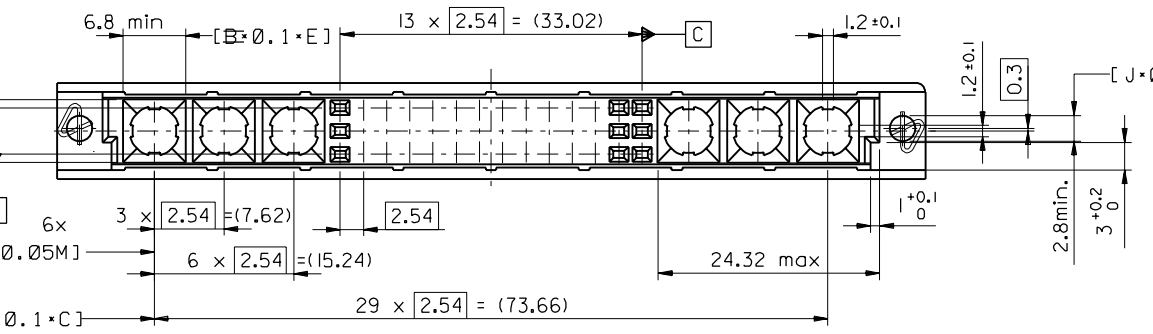
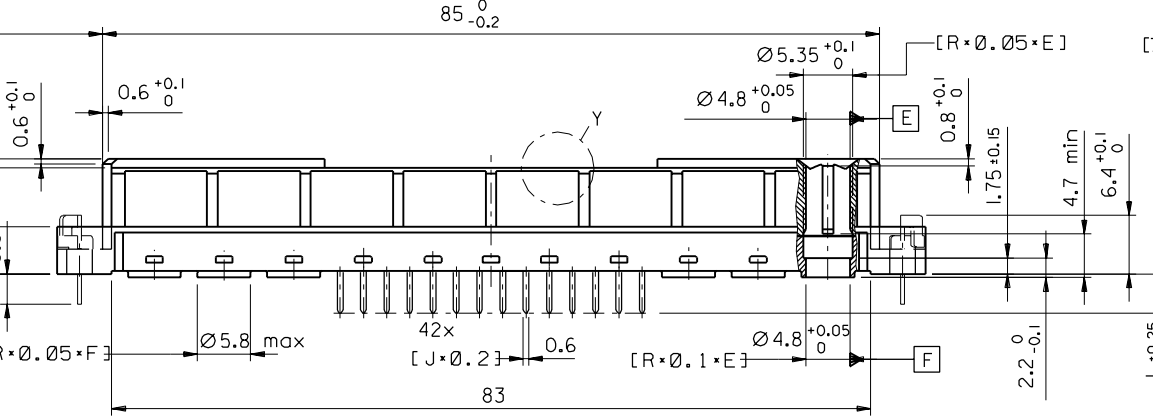
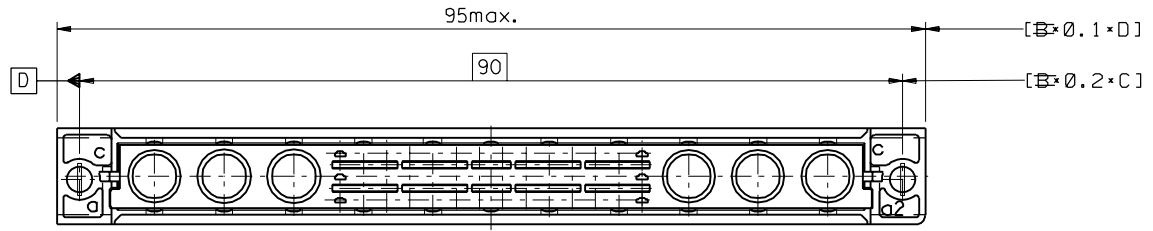
[R × 0.05 × F]

[B × 0.1 × E]

[B × 0.1 × C]

detail "Z"
M 5:1

7132-1283



FIRST ANGLE PROJECTION		REVISE ONLY ON CAD SYSTEM		SH.	REV.
ECN 2478 first release	LTR FOR PREVIOUS REVISIONS SEE MRI LIST	UNLESS OTHERWISE SPECIFIED TOLERANCES: ANGULAR ±2°	DRWG BY	CAD/CAM PROJECT NAME	
		INCH METRIC	KN	85048000	THIS DRAWING CONTAINS INFORMATION THAT IS PROPRIETARY TO MOLEX INC. & SHOULD NOT BE USED WITHOUT WRITTEN PERMISSION
		3 PLACE ± ±	SIGN	TITLE	
		2 PLACE ± ±	Ca	42 pol. Federleiste 42 pos. female connector DIN 41612, style M	
1 PLACE ± ±	APP'D BY	MOLEX EUROPE		SHEET NO. DATE	
DRAFT WHERE APPLICABLE MUST REMAIN WITHIN DIMENSIONS	JB	MOLEX EUROPE		1 OF 2 97/04/10	
DESIGN DIMENSION <input checked="" type="checkbox"/> MM	SCALE	PART NO.		DWG NO.	SIZE
EQUIVALENT DIMENSION <input type="checkbox"/> MM	2:1	SD-85048-0003			B
IF TWO DIMENSIONS ARE SHOWN THE UPPER IS THE DESIGN DIMENSION, LOWER IS SECONDARY					

