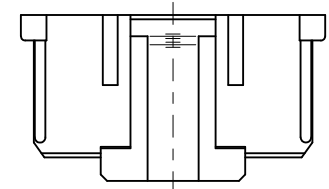
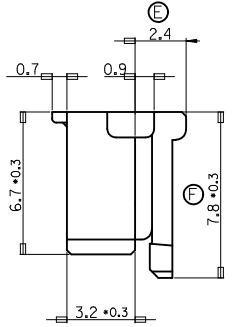
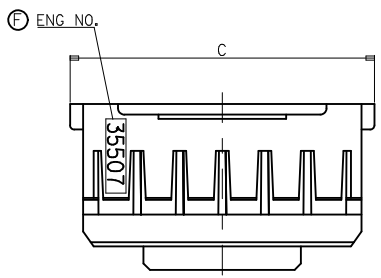
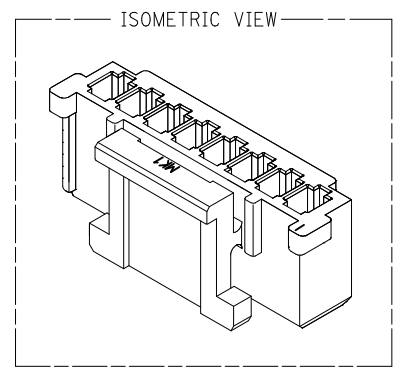
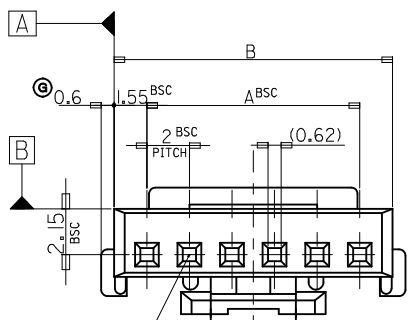


TERMINAL INSERTED DRAWING
SCALE 2:1



NOTES

- 1. MATERIAL : POLYESTER, UL94V-0
- 2. FINISH : VARIABLE COLOR (SEE LEGEND)
- 3. PRODUCT SPECIFICATION NO : PS-35507-001
- 4. APPLICABLE TERMINAL : 50212-8000
- 5. MATES WITH : 35362-***, 35363-***



LEGEND

0	: NATURAL
1	: BLACK
2	: RED
3	: YELLOW
4	: BLUE
5	: GREEN

30 over	+0.3
10 over 30 under	±0.25
10 under	±0.2
ANGLE	±3°
GENERAL TOLERANCE	

REVISED
EC NO: KOR2008-0029
DRWN: JHLE05 2009/12/18
CHKD: KSK IM 2009/12/18
APPR: YUNSIKKIM 2009/12/21

QUALITY SYMBOLS
▽=1
∇=0

GENERAL TOLERANCES (UNLESS SPECIFIED)

	mm	INCH
4 PLACES	± ---	± ---
3 PLACES	± ---	± ---
2 PLACES	± ---	± ---
1 PLACE	± ---	± ---

ANGULAR ± ---°

DRAFT WHERE APPLICABLE
MUST REMAIN
WITHIN DIMENSIONS

DIMENSION STYLE
MM ONLY

DRAWN BY
YSKIM02

DATE
1996/09/11

CHECKED BY
YSKIM04

DATE
1996/09/11

APPROVED BY
CWLEE

DATE
1996/09/12

MATERIAL NO.
SEE TABLE

SCALE
1:1

DESIGN UNITS
METRIC

THIRD ANGLE PROJECTION

2.0 W-T-B CONN HOUSING
4-15P ONLY

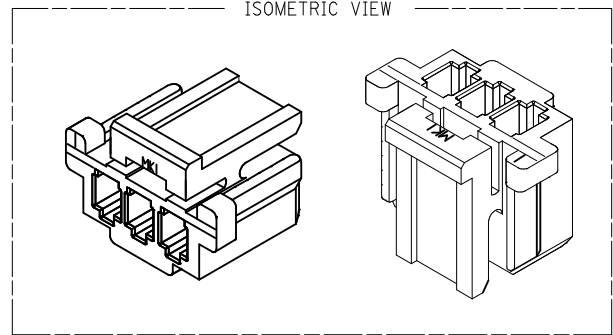
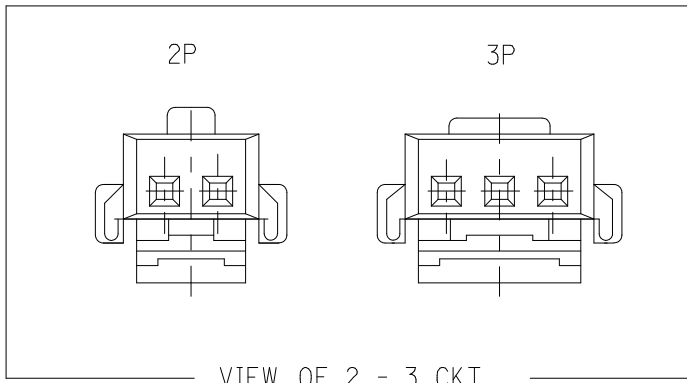
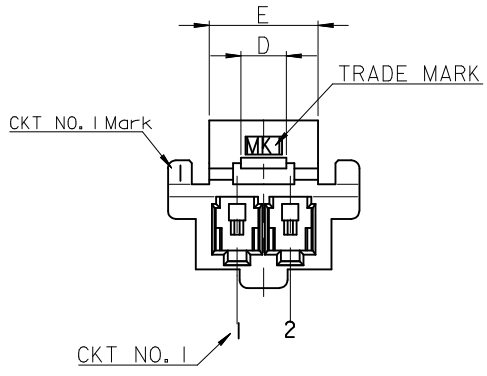
MOLEX INCORPORATED

DOCUMENT NO.
SD-35507-001

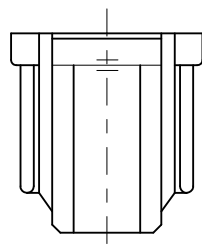
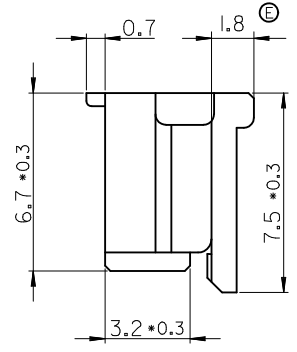
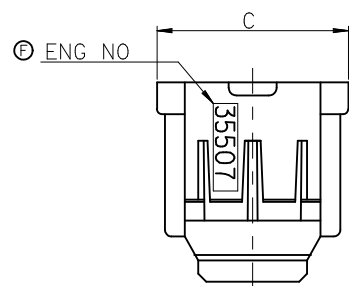
SHEET NO.
1 OF 3

THIS DRAWING CONTAINS INFORMATION THAT IS PROPRIETARY TO MOLEX INCORPORATED AND SHOULD NOT BE USED WITHOUT WRITTEN PERMISSION

4	4	27.8	32.3	31.1	28	-150*	15
		25.8	30.3	29.1	26	-140*	14
		23.8	28.3	27.1	24	-130*	13
		21.8	26.3	25.1	22	-120*	12
		19.8	24.3	23.1	20	-110*	11
		17.8	22.3	21.1	18	-100*	10
7	7	15.8	20.3	19.1	16	-090*	9
8.0	10.8	13.8	18.3	17.1	14	-080*	8
4	4	11.8	16.3	15.1	12	-070*	7
		9.8	14.3	13.1	10	-060*	6
		7.8	12.3	11.1	8	-050*	5
410	614	5.8	10.3	9.1	6	35507-040*	4
F	E	D	C	B	A	ENG NO.	CKT

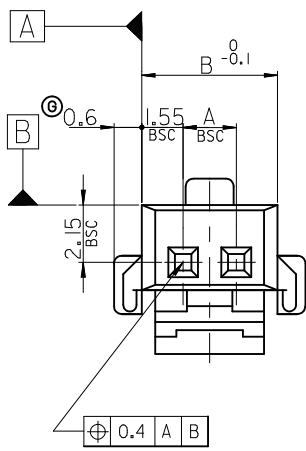


FOR 2 & 3 CKTS.



LEGEND

CKT NO.	**0*	COLOR	0 : NATURAL
			1 : BLACK
			2 : RED
			3 : YELLOW
			4 : BLUE
			5 : GREEN



NOTES

1. MATERIAL : POLYESTER, UL94V-0
2. FINISH : VARIABLE COLOR (SEE LEGEND)
3. PRODUCT SPECIFICATION NO : PS-35507-001
4. APPLICABLE TERMINAL : 50212-8000
5. MATES WITH : 35362-***, 35363-***

2.5	9.2	7.1	4	-030*	3
1.7	7.2	5.1	2	35507-020*	2
D	C	B	A	ENG NO.	CKT

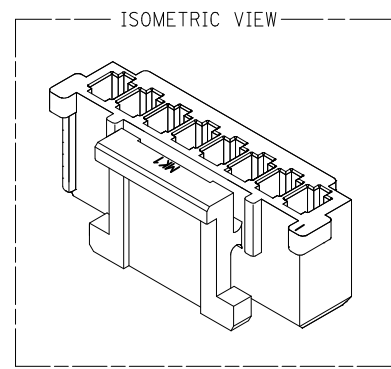
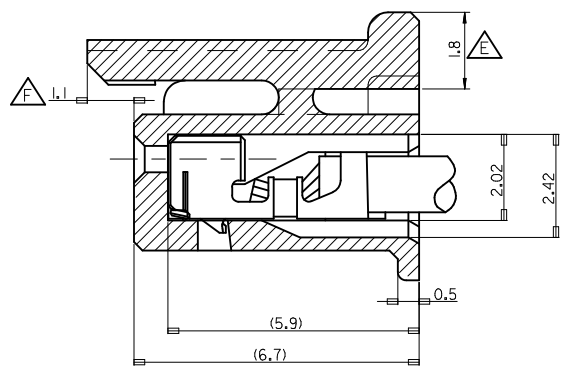
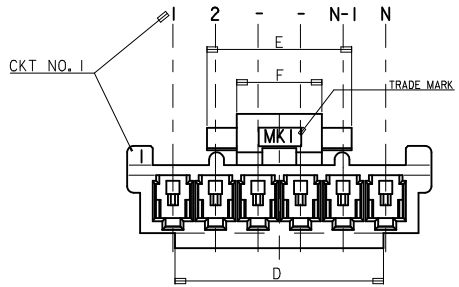
30 over	±0.3
10 over 30 under	±0.25
10 under	±0.2
ANGLE	±3°
GENERAL TOLERANCE	

REVISED	EC NO: KOR2008-0029	DESCRIPTION
DRWN: JHLE05	2009/12/18	
CHKD: KSK IM	2009/12/18	
APPR: YUNSIKIM	2009/12/21	

QUALITY SYMBOLS	GENERAL TOLERANCES (UNLESS SPECIFIED)	DIMENSION STYLE
▽=0	mm INCH	MM ONLY
∇=0	4 PLACES ± --- ± ---	DRAWN BY
	3 PLACES ± --- ± ---	DATE
	2 PLACES ± --- ± ---	CHECKED BY
	1 PLACE ± --- ± ---	DATE
	ANGULAR ± --- °	APPROVED BY
		DATE
		MATERIAL NO.
		DOCUMENT NO.

SCALE	DESIGN UNITS	THIRD ANGLE PROJECTION
1:1	METRIC	
TITLE		
2.0 W-T-B CONN HOUSING		
2 TO 3P ONLY		
DRAWN BY		
DATE		
CHECKED BY		
DATE		
APPROVED BY		
DATE		
MATERIAL NO.		
DOCUMENT NO.		

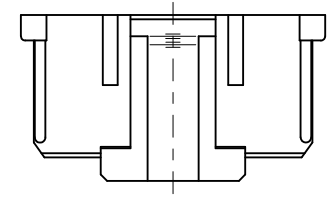
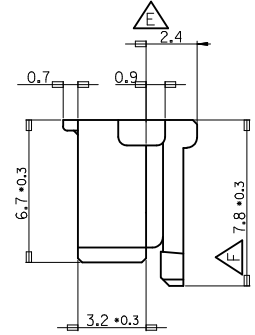
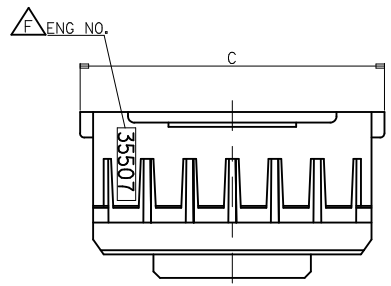
TITLE		2.0 W-T-B CONN HOUSING
		2 TO 3P ONLY
DRAWN BY		YSKIM02
DATE		1996/09/11
CHECKED BY		YSKIM04
DATE		1996/09/11
APPROVED BY		CWLEE
DATE		1996/09/11
MATERIAL NO.		
DOCUMENT NO.		SD-35507-001
SHEET NO.		2 OF 3



TERMINAL INSERTED DRAWING
SCALE 8:1

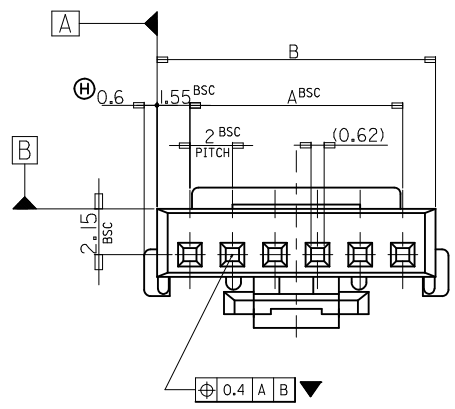
NOTES

1. MATERIAL : POLYESTER, NON GLASS FILLED, UL94V-0
2. FINISH : VARIABLE COLOR (SEE LEGEND)
3. PRODUCT SPECIFICATION : PS-35507-001
4. APPLICABLE TERMINAL : 50212-8000
5. MATES WITH : 35362-***, 35363-***



LEGEND

CKT NO.	***0*	COLOR	0 : NATURAL
			1 : BLACK
			2 : RED
			3 : YELLOW
			4 : BLUE
			5 : GREEN



8.0	10.8	37.8	42.3	41.1	38	35507200*	35507-200*	20
8.0	10.8	35.8	40.3	39.1	36	35507190*	35507-190*	19
8.0	10.8	33.8	38.3	37.1	34	35507180*	35507-180*	18
8.0	10.8	31.8	36.3	35.1	32	35507170*	35507-170*	17
8.0	10.8	29.8	34.3	33.1	30	35507160*	35507-160*	16
F	E	D	C	B	A	MATERIAL NO.	ENG NO.	CKT

REVISED EC NO: KOR2008-0029 DRWN: JHLEE05 2009/12/18 CHKD: KSK IM 2009/12/18 APPR: YUNSIKKIM 2009/12/18	QUALITY SYMBOLS	GENERAL TOLERANCES (UNLESS SPECIFIED)	DIMENSION STYLE	SCALE	DESIGN UNITS	THIRD ANGLE PROJECTION
	▼ = 0 ◻ = 0	mm INCH 4 PLACES ± --- ± --- 3 PLACES ± --- ± --- 2 PLACES ± --- ± --- 1 PLACE ± --- ± --- ANGULAR ± ---°	MM ONLY	1:1	METRIC	
	DESCRIPTION	DRAFT WHERE APPLICABLE MUST REMAIN WITHIN DIMENSIONS	DRAWN BY	DATE	TITLE	MOLEX INCORPORATED SD-35507-001
	REV		CHECKED BY	DATE		
			APPROVED BY	DATE		
		MATERIAL NO.	DOCUMENT NO.	SHEET NO.		