

**OCTAL D-TYPE LATCH WITH 3-STATE OUTPUT**

The TC74AC573 is an advanced high speed CMOS OCTAL LATCH fabricated with silicon gate and double-layer metal wiring CMOS technology.

It achieves the high speed operation similar to equivalent Bipolar Schottky TTL while maintaining the CMOS low power dissipation.

These 8-bit D-type latches are controlled by a latch enable input (LE) and a output enable input ( $\overline{OE}$ ).

When the  $\overline{OE}$  input is high, the eight outputs are in a high impedance state.

All inputs are equipped with protection circuits against static discharge or transient excess voltage.

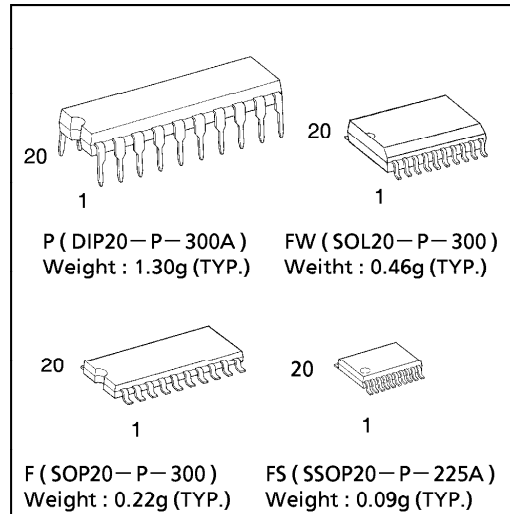
**FEATURES :**

- High Speed..... $t_{pd} = 6.0ns$ (typ.) at  $V_{CC} = 5V$
- Low Power Dissipation..... $I_{CC} = 8\mu A$ (Max.) at  $T_a = 25^\circ C$
- High Noise Immunity..... $V_{NIH} = V_{NIL} = 28\% V_{CC}$  (Min.)
- Symmetrical Output Impedance...  $|I_{OH}| = I_{OL} = 24mA$ (Min.)  
Capability of driving  $50\Omega$  transmission lines.
- Balanced Propagation Delays..... $t_{pLH} \approx t_{pHL}$
- Wide Operating Voltage Range....  $V_{CC}$  (opr) =  $2V \sim 5.5V$
- Pin and Function Compatible with 74F573

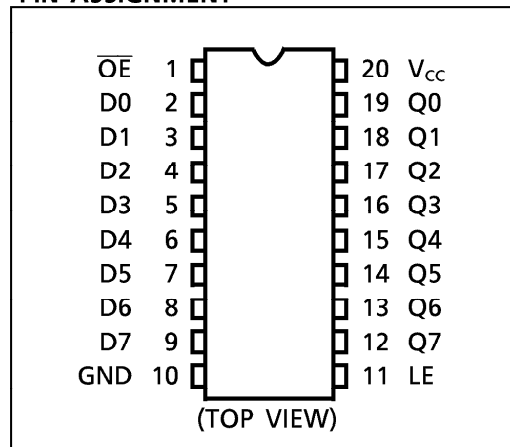
**TRUTH TABLE**

INPUTS			OUTPUTS
OE	LE	D	Q
H	X	X	Z
L	L	X	$Q_n$
L	H	L	L
L	H	H	H

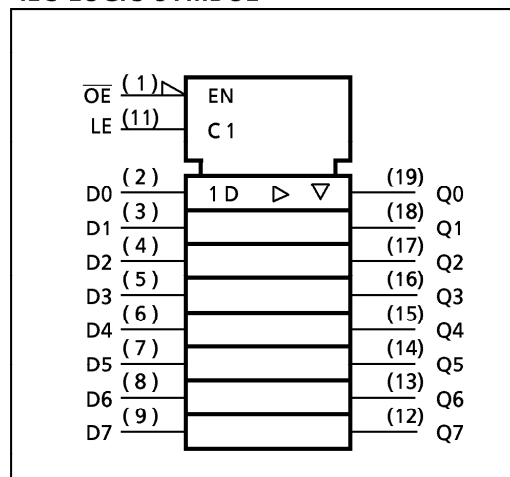
X : Don't Care  
Z : High Impedance  
 $Q_n$ : Q outputs are latched at the time when the LE input is taken to a low logic level.



**PIN ASSIGNMENT**



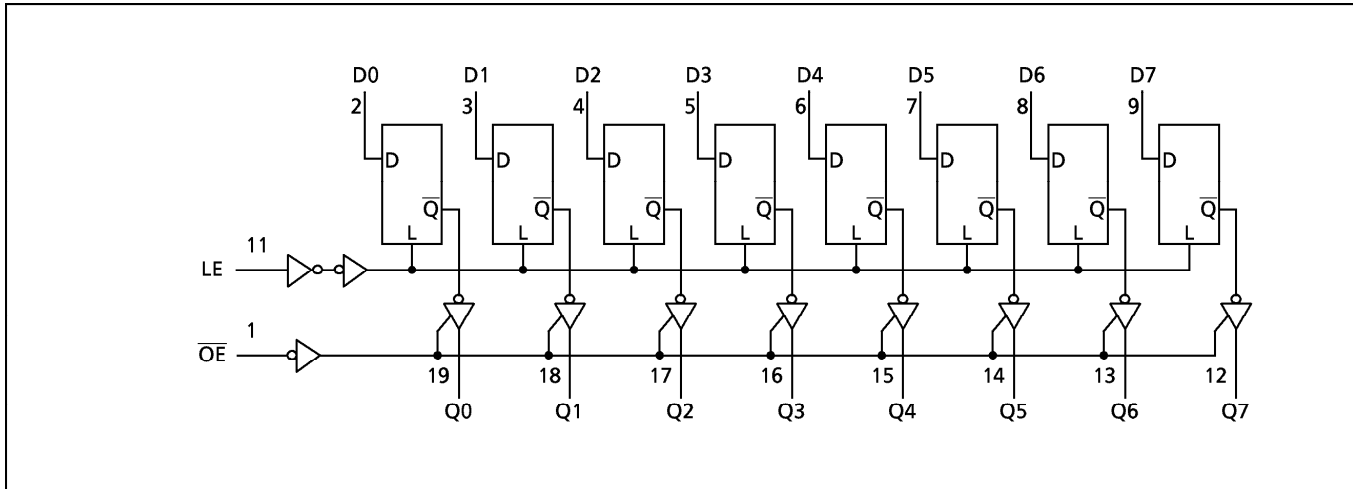
**IEC LOGIC SYMBOL**



© The information contained herein is presented only as a guide for the applications of our products. No responsibility is assumed by TOSHIBA CORPORATION for any infringements of intellectual property or other rights of the third parties which may result from its use. No license is granted by implication or otherwise under any intellectual property or other rights of TOSHIBA CORPORATION or others.

© These TOSHIBA products are intended for use in general commercial applications (office equipment, communication equipment, measuring equipment, domestic appliances, etc.). please make sure that you consult with us before you use these TOSHIBA products in equipment which requires extraordinarily high quality and/or reliability, and in equipment which may involve life threatening or critical application, including but not limited to such uses as atomic energy control, airplane or spaceship instrumentation, traffic signals, medical instrumentation, combustion control, all types of safety devices, etc. TOSHIBA cannot accept and hereby disclaims liability for any damage which may occur in case the TOSHIBA products are used in such equipment or applications without prior consultation with TOSHIBA.

**SYSTEM DIAGRAM**



**ABSOLUTE MAXIMUM RATINGS**

PARAMETER	SYMBOL	VALUE	UNIT
Supply Voltage Range	$V_{CC}$	-0.5~7.0	V
DC Input Voltage	$V_{IN}$	-0.5~ $V_{CC} + 0.5$	V
DC Output Voltage	$V_{OUT}$	-0.5~ $V_{CC} + 0.5$	V
Input Diode Current	$I_{IK}$	$\pm 20$	mA
Output Diode Current	$I_{OK}$	$\pm 50$	mA
DC Output Current	$I_{OUT}$	$\pm 50$	mA
DC $V_{CC}$ /Ground Current	$I_{CC}$	$\pm 200$	mA
Power Dissipation	$P_D$	500 (DIP)* / 180 (SOP/SSOP)	mW
Storage Temperature	$T_{stg}$	-65~150	$^{\circ}C$

\*500mW in the range of  $T_a = -40^{\circ}C \sim 65^{\circ}C$ . From  $T_a = 65^{\circ}C$  to  $85^{\circ}C$  a derating factor of  $-10mW/^{\circ}C$  should be applied up to 300mW.

**RECOMMENDED OPERATING CONDITIONS**

PARAMETER	SYMBOL	VALUE	UNIT
Supply Voltage	$V_{CC}$	2.0~5.5	V
Input Voltage	$V_{IN}$	0~ $V_{CC}$	V
Output Voltage	$V_{OUT}$	0~ $V_{CC}$	V
Operating Temperature	$T_{opr}$	-40~85	$^{\circ}C$
Input Rise and Fall Time	dt/dV	0~100 ( $V_{CC} = 3.3 \pm 0.3V$ ) 0~20 ( $V_{CC} = 5 \pm 0.5V$ )	ns/V

**DC ELECTRICAL CHARACTERISTICS**

PARAMETER	SYMBOL	TEST CONDITION	V <sub>CC</sub> (V)	Ta = 25°C			Ta = -40~85°C		UNIT	
				MIN.	TYP.	MAX.	MIN.	MAX.		
High - Level Input Voltage	V <sub>IH</sub>		2.0 3.0 5.5	1.50 2.10 3.85	— — —	— — —	1.50 2.10 3.85	— — —	V	
Low - Level Input Voltage	V <sub>IL</sub>		2.0 3.0 5.5	— — —	— — —	0.50 0.90 1.65	— — —	0.50 0.90 1.65	V	
High - Level Output Voltage	V <sub>OH</sub>	V <sub>IN</sub> = V <sub>IH</sub> or V <sub>IL</sub>	I <sub>OH</sub> = -50μA	2.0	1.9	2.0	—	1.9	—	V
				3.0	2.9	3.0	—	2.9	—	
				4.5	4.4	4.5	—	4.4	—	
			I <sub>OH</sub> = -4mA I <sub>OH</sub> = -24mA I <sub>OH</sub> = -75mA*	3.0	2.58	—	—	2.48	—	
				4.5	3.94	—	—	3.80	—	
				5.5	—	—	—	3.85	—	
Low - Level Output Voltage	V <sub>OL</sub>	V <sub>IN</sub> = V <sub>IH</sub> or V <sub>IL</sub>	I <sub>OL</sub> = 50μA	2.0	—	0.0	0.1	—	0.1	V
				3.0	—	0.0	0.1	—	0.1	
				4.5	—	0.0	0.1	—	0.1	
			I <sub>OL</sub> = 12mA I <sub>OL</sub> = 24mA I <sub>OL</sub> = 75mA*	3.0	—	—	0.36	—	0.44	
				4.5	—	—	0.36	—	0.44	
				5.5	—	—	—	—	1.65	
3 - State Output Off - State Current	I <sub>OZ</sub>	V <sub>IN</sub> = V <sub>IH</sub> or V <sub>IL</sub> V <sub>OUT</sub> = V <sub>CC</sub> or GND	5.5	—	—	± 0.5	—	± 5.0	μA	
Input Leakage Current	I <sub>IN</sub>	V <sub>IN</sub> = V <sub>CC</sub> or GND	5.5	—	—	± 0.1	—	± 1.0		
Quiescent Supply Current	I <sub>CC</sub>	V <sub>IN</sub> = V <sub>CC</sub> or GND	5.5	—	—	8.0	—	80.0		

\* : This spec indicates the capability of driving 50Ω transmission lines.  
One output should be tested at a time for a 10ms maximum duration.

**TIMING REQUIREMENTS (Input t<sub>r</sub> = t<sub>f</sub> = 3ns)**

PARAMETER	SYMBOL	TEST CONDITION	Ta = 25°C		Ta = -40~85°C		UNIT
			V <sub>CC</sub> (V)	LIMIT	LIMIT	LIMIT	
Minimum Pulse Width (LE)	t <sub>W</sub> (H)		3.3 ± 0.3	7.0	7.0	7.0	ns
			5.0 ± 0.5	5.0	5.0	5.0	
Minimum Set - up Time	t <sub>s</sub>		3.3 ± 0.3	7.0	7.0	7.0	
			5.0 ± 0.5	4.0	4.0	4.0	
Minimum Hold Time	t <sub>h</sub>		3.3 ± 0.3	1.0	1.0	1.0	
			5.0 ± 0.5	1.0	1.0	1.0	

**AC ELECTRICAL CHARACTERISTICS (  $C_L = 50\text{pF}$ ,  $R_L = 500\Omega$ , Input  $t_r = t_f = 3\text{ns}$  )**

PARAMETER	SYMBOL	TEST CONDITION	Ta = 25°C			Ta = -40~85°C		UNIT	
			V <sub>CC</sub> (V)	MIN.	TYP.	MAX.	MIN.		MAX.
Propagation Delay Time (LE-Q)	t <sub>pLH</sub> t <sub>pHL</sub>		3.3 ± 0.3	—	9.4	15.4	1.0	17.6	ns
			5.0 ± 0.5	—	6.6	9.9	1.0	11.3	
Propagation Delay Time (Dn-Q)	t <sub>pLH</sub> t <sub>pHL</sub>		3.3 ± 0.3	—	9.4	16.0	1.0	18.2	
			5.0 ± 0.5	—	6.2	8.9	1.0	10.2	
Output Enable Time	t <sub>pZL</sub> t <sub>pZH</sub>		3.3 ± 0.3	—	9.0	15.2	1.0	17.3	
			5.0 ± 0.5	—	6.3	9.2	1.0	10.5	
Output Disable Time	t <sub>pLZ</sub> t <sub>pHZ</sub>		3.3 ± 0.3	—	7.0	12.3	1.0	14.0	
			5.0 ± 0.5	—	6.0	8.8	1.0	10.0	
Input Capacitance	C <sub>IN</sub>			—	5	10	—	10	pF
Output Capacitance	C <sub>OUT</sub>			—	10	—	—	—	
Power Dissipation Capacitance	C <sub>PD</sub> (1)			—	32	—	—	—	

Note (1) C<sub>PD</sub> is defined as the value of the internal equivalent capacitance which is calculated from the operating current consumption without load.

Average operating current can be obtained by the equation :

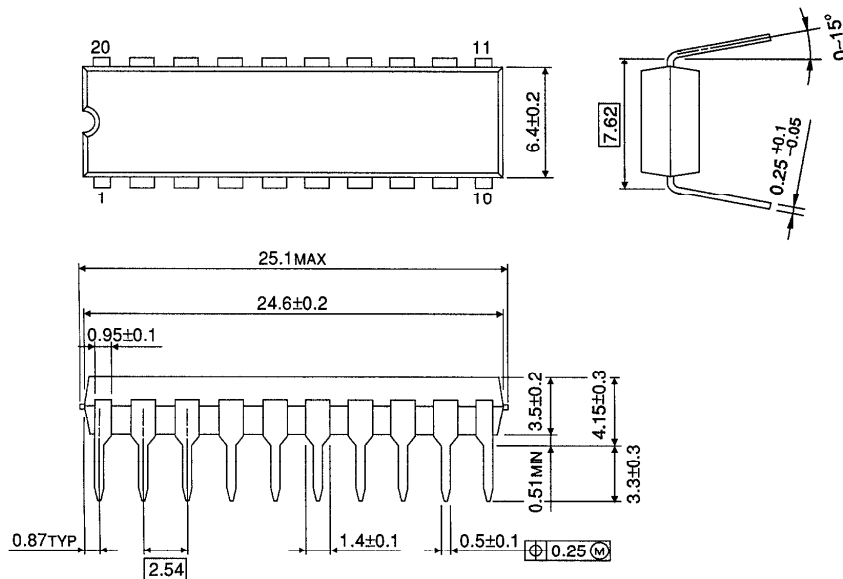
$$I_{CC}(\text{opr.}) = C_{PD} \cdot V_{CC} \cdot f_{IN} + I_{CC} / 8 \text{ ( per Latch )}$$

And the total C<sub>PD</sub> when n pcs. of Latch operate can be gained by the following equation :

$$C_{PD}(\text{total}) = 21 + 11 \cdot n$$

**DIP 20PIN OUTLINE DRAWING ( DIP20-P-300A )**

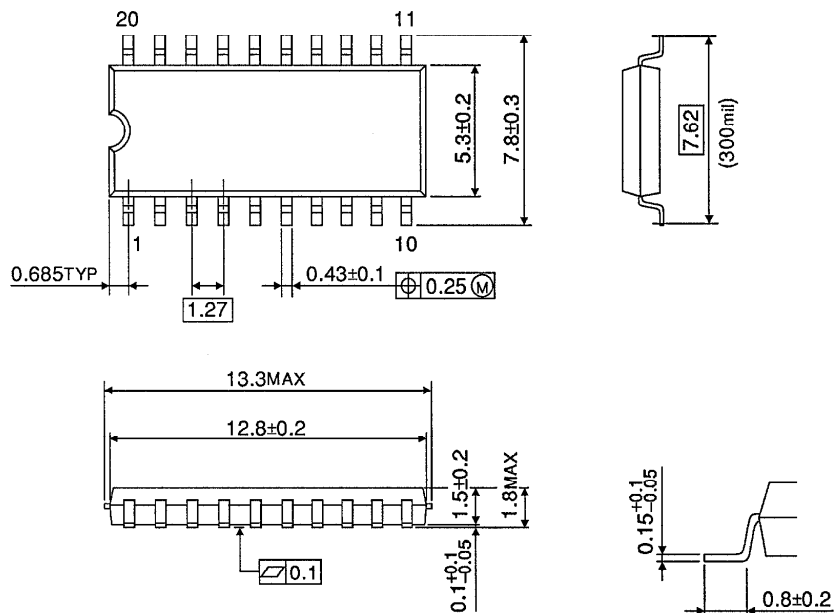
Unit in mm



Weight : 1.30g (TYP.)

**SOP 20PIN ( 200mil BODY ) OUTLINE DRAWING ( SOP20-P-300 )**

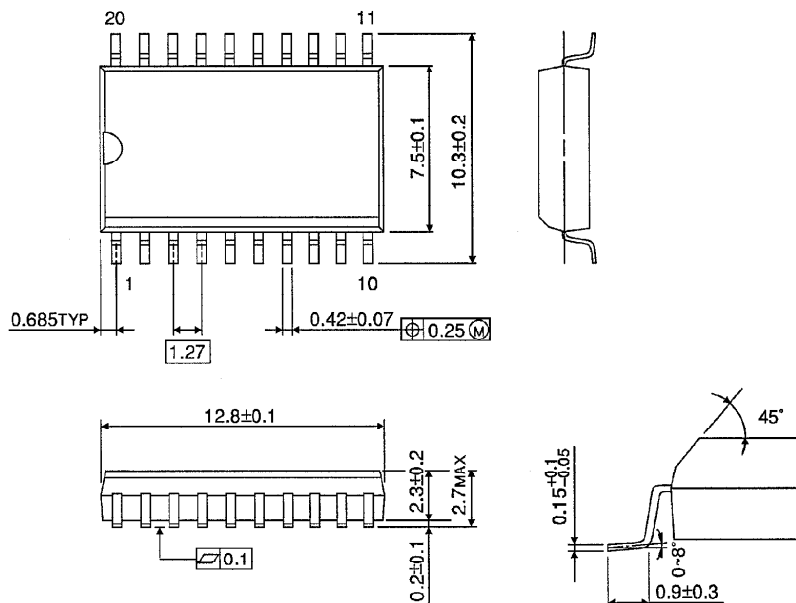
Unit in mm



Weight : 0.22g (TYP.)

**SOP 20PIN (300mil BODY) OUTLINE DRAWING (SOL20-P-300)**

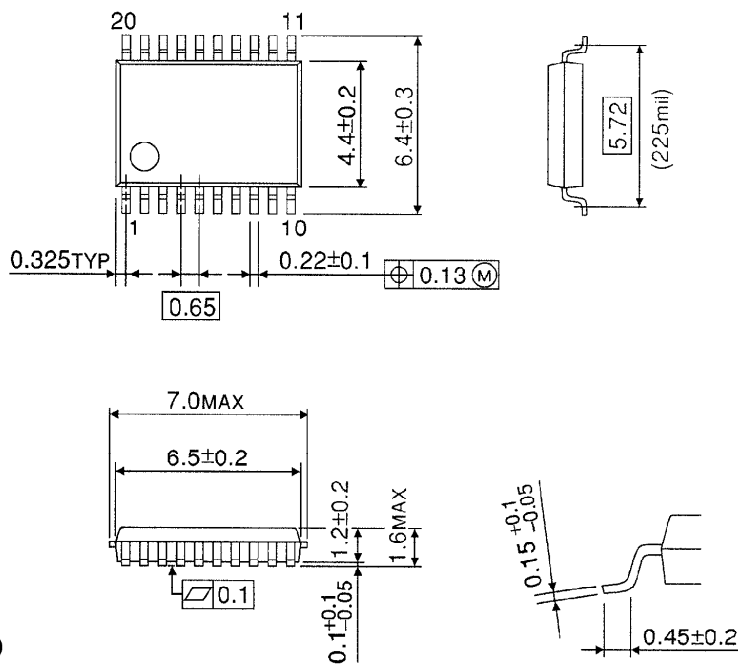
Unit in mm



Weight : 0.46g (TYP.)

**SSOP 20PIN OUTLINE DRAWING (SSOP20-P-225A)**

Unit in mm



Weight : 0.09g (TYP.)