

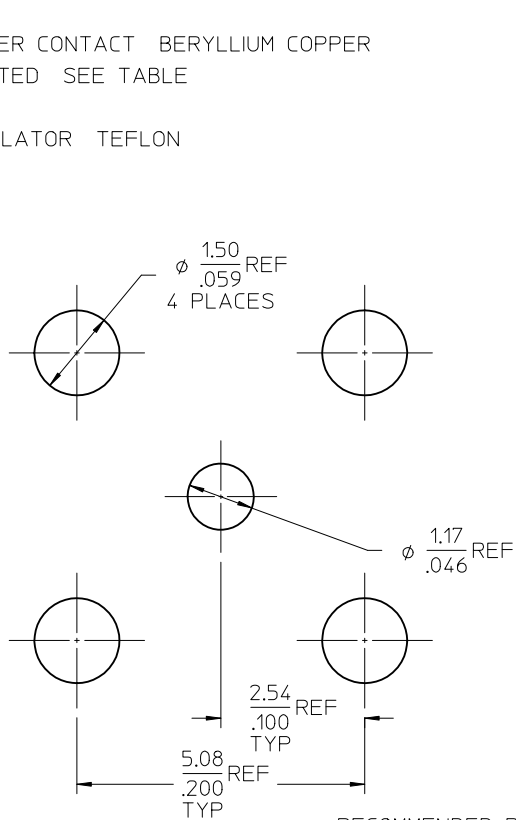
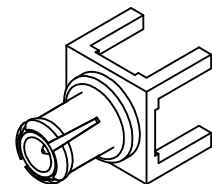
MATERIALS AND FINISHES:

BODY SEE TABLE
 PLATED SEE TABLE

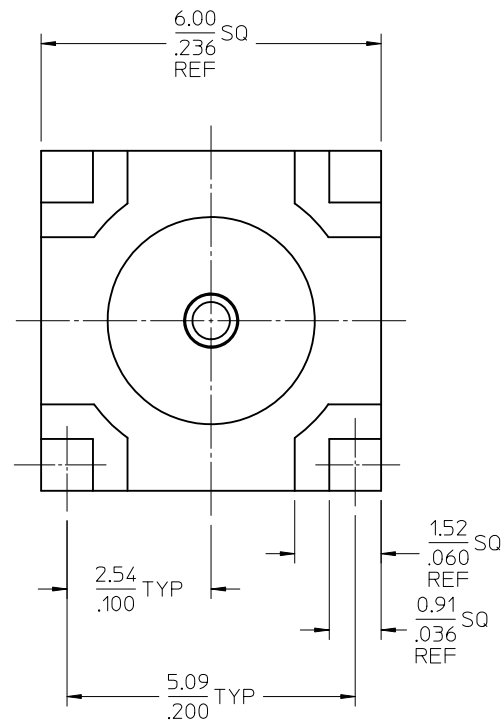
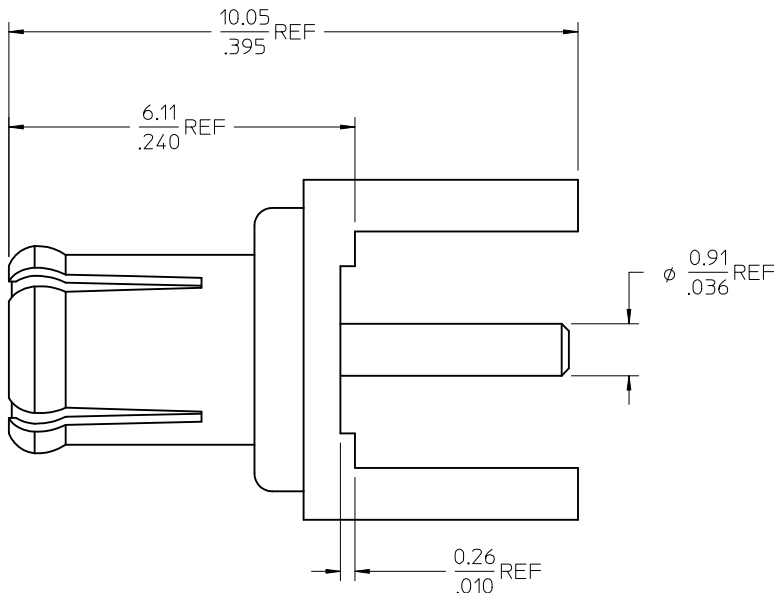
CONTACT SEE TABLE
 PLATED SEE TABLE

OUTER CONTACT BERYLLIUM COPPER
 PLATED SEE TABLE

INSULATOR TEFLON



RECOMMENDED PCB LAYOUT



73415-2451	BeCu	Au OVER Ni-P	Au OVER Ni-P	Au OVER Ni-P	YES
73415-2450	BRASS	TIN	Au OVER Ni	Au OVER Ni	NO
PART NO.	MATERIAL	PLATING	PLATING	PLATING	NON MAGNETIC
	BODY/CONT	BODY	CONTACT	OUTER CONTACT	

CECC-22-220	INTERFACE
SPECIFICATION	DESCRIPTION

CHG: ADDED -2451	2011/06/06
MATERIAL/FINISH	
EC NO: URF2011-0727	2011/06/06
DRW:SSHAH	
CHKD:	
APPR:JMIENER	2011/06/06
DESCRIPTION	
REV	A1

QUALITY SYMBOLS	▽=0
	▽=0
GENERAL TOLERANCES (UNLESS SPECIFIED)	
	mm
	INCH
4 PLACES	± .01
3 PLACES	± 0.01
2 PLACES	± 0.05
1 PLACE	± 0.1
ANGULAR	± 2 °
DRAFT WHERE APPLICABLE	MUST REMAIN WITHIN DIMENSIONS

DIMENSION STYLE	
MM/IN	
DRAWN BY	LMB
DATE	2000/10/02
CHECKED BY	TEF
DATE	2000/10/02
APPROVED BY	GMH
DATE	2000/10/02
MATERIAL NO.	734152450
SIZE	C

SCALE	DESIGN UNITS	THIRD ANGLE PROJECTION
	METRIC	
TITLE		
MCX, PLUG VERTICAL PCB		
50 OHM, EWR1107		
MCX-P/PCB		
MOLEX INCORPORATED		
DOCUMENT NO.	SD-73415-245	SHEET NO.
		1 OF 1
THIS DRAWING CONTAINS INFORMATION THAT IS PROPRIETARY TO MOLEX INCORPORATED AND SHOULD NOT BE USED WITHOUT WRITTEN PERMISSION		