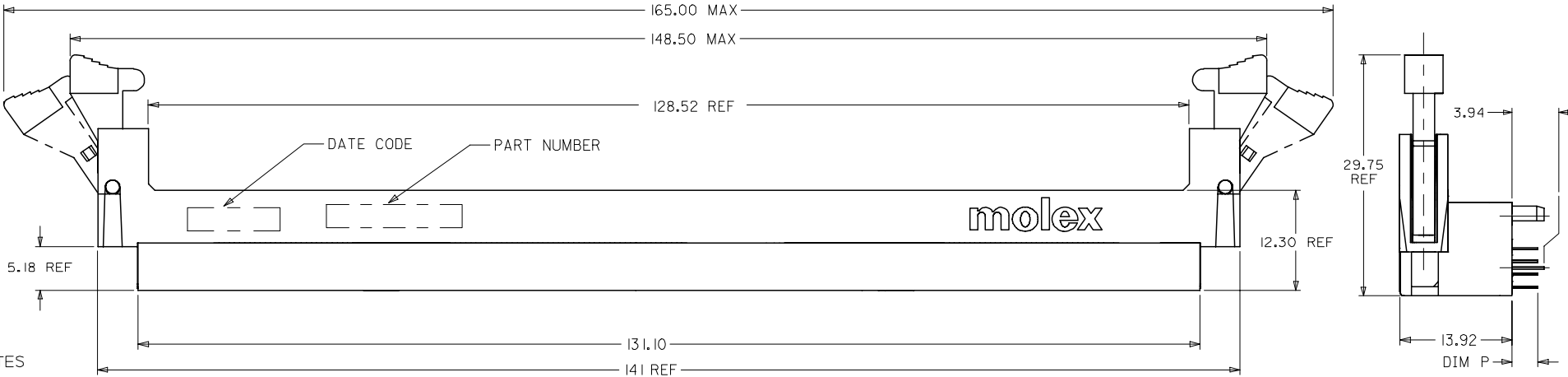
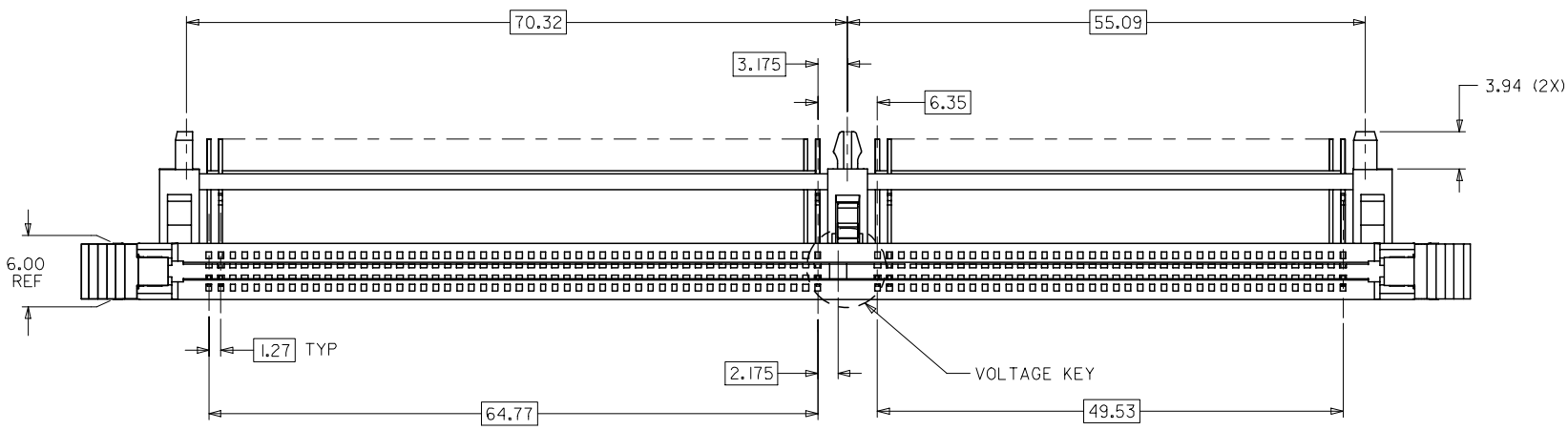


10 9 8 7 6 5 4 3 2 1

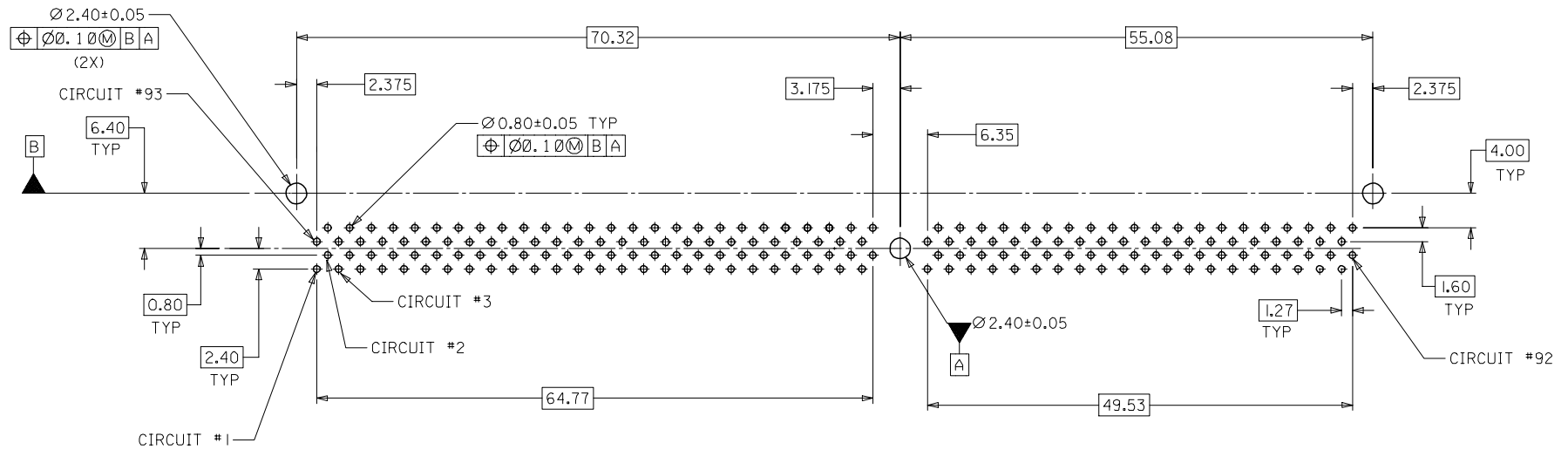


- NOTES
- MATERIALS:  
HOUSING AND BASEPLATE - HIGH TEMP LCP GLASS FILLED, UL 94V-0  
COLOR: BLACK  
EJECTORS - HIGH TEMP NYLON GLASS FILLED, UL 94V-0  
COLOR: NATURAL (OFF WHITE)  
TERMINALS AND FORKLOCK - COPPER ALLOY
  - FINISHES: CONTACT AREA: SEE TABLE  
SOLDERTAIL: 2.54mm/100µMIN. TIN  
UNDERPLATE: 1.27mm/50µ IN. NICKEL
  - PRODUCT SPECIFICATIONS: PS-87609-002 FOR PERFORMANCE SPECIFICATIONS.
  - DATE CODE SHALL BE MARKED LEGIBLY AS SHOWN: XX XX  
YEAR WEEK
  - PART NUMBER SHALL BE MARKED LEGIBLY AS SHOWN: 87655-0XXX  
REFER TO TABLE

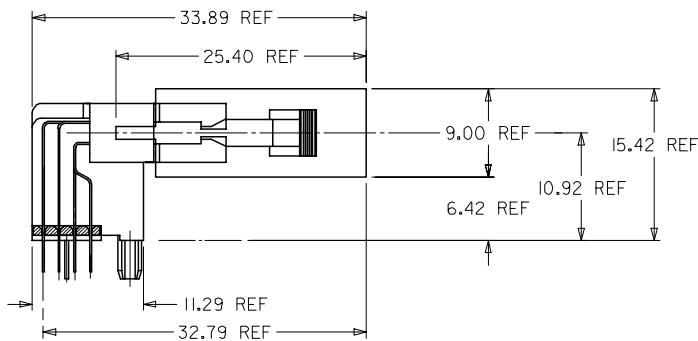
OBS TIN/LEAD P/N EC NO: S2006-0746 DRWN:MLONG CHKD:HO APPR:GJLEE	QUALITY SYMBOLS ▽=0 ∇=0	GENERAL TOLERANCES (UNLESS SPECIFIED)		DIMENSION STYLE MM ONLY	SCALE NTS	DESIGN UNITS METRIC	THIRD ANGLE PROJECTION	
		4 PLACES ± --- ± ---	3 PLACES ± --- ± ---	DRAWN BY MLONG	DATE 2000/12/21	TITLE DDR DIMM, 1.27MM PITCH 184 CKTS, R/A		
		2 PLACES ± 0.25 ± ---	1 PLACE ± --- ± ---	CHECKED BY SQUEK	DATE 2000/12/29	APPROVED BY MOLEX INCORPORATED		
		ANGULAR ± 5 °		APPROVED BY SKTOH	DATE 2000/12/29	MATERIAL NO. SEE TABLE	DOCUMENT NO. SD-87655-001	SHEET NO. 1 OF 3
DRAFT WHERE APPLICABLE MUST REMAIN WITHIN DIMENSIONS		SIZE A3			THIS DRAWING CONTAINS INFORMATION THAT IS PROPRIETARY TO MOLEX INCORPORATED AND SHOULD NOT BE USED WITHOUT WRITTEN PERMISSION			

9 8 7 6 5 4 3 2 1

CONTACT AREA	PART NUMBER	VOLTAGE KEY	TAIL LENGTH P±0.25	RECOMMENDED PCB THICKNESS
0.38µm/15µ" MIN. GOLD	87655-0004	LEFT (2.5V)	2.79	1.57
	87655-0005		3.18	
0.76µm/30µ" MIN. GOLD	87655-0007		2.79	



RECOMMENDED  
P.C. BOARD HOLE PATTERN  
(CONNECTOR SIDE)



ACTUAL MODULE HEIGHT AND CLEARANCE  
WHEN USING A 9.00MM THICK BY 25.40MM HEIGHT  
MODULE (TYPICAL SOJ PACKAGING).

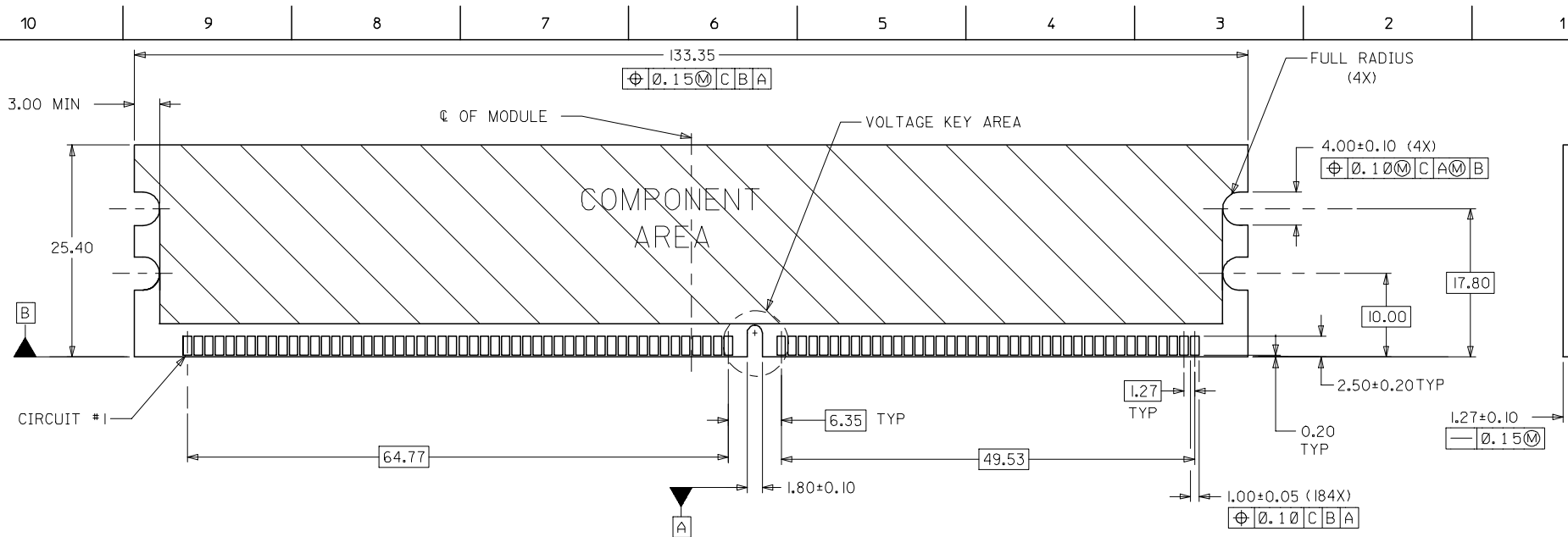
OBS TIN/LEAD P/N	2006/02/27
EC NO: S2006-0746	2006/02/28
DRWN:MLONG	2006/02/28
CHKD:IHO	2006/02/28
APPR:GGLLEE	2006/02/28

QUALITY SYMBOLS	DESCRIPTION
▽=0	
▽C=0	

GENERAL TOLERANCES (UNLESS SPECIFIED)	
mm	INCH
4 PLACES ± ---	± ---
3 PLACES ± ---	± ---
2 PLACES ± 0.25	± ---
1 PLACE ± ---	± ---
ANGULAR ± 5 °	
DRAFT WHERE APPLICABLE MUST REMAIN WITHIN DIMENSIONS	

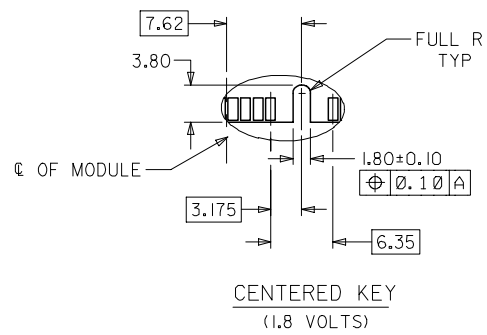
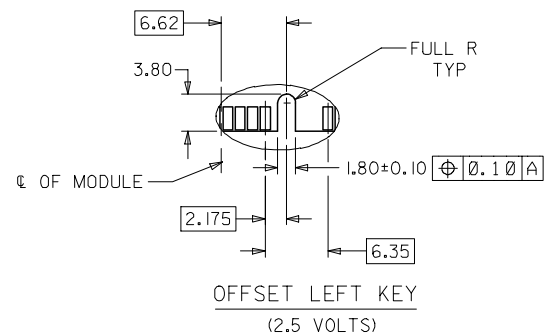
DIMENSION STYLE	
MM ONLY	
DRAWN BY	DATE
MLONG	2000/12/21
CHECKED BY	DATE
SQUEK	2000/12/29
APPROVED BY	DATE
SKTOH	2000/12/29
MATERIAL NO.	
SEE TABLE	
SIZE	A3

SCALE	DESIGN UNITS	THIRD ANGLE PROJECTION
NTS	METRIC	☉
TITLE		
DDR DIMM, 1.27MM PITCH 184 CKTS, R/A		
APPROVED BY		
MOLEX INCORPORATED		
DOCUMENT NO.		SHEET NO.
SD-87655-001		2 OF 3
THIS DRAWING CONTAINS INFORMATION THAT IS PROPRIETARY TO MOLEX INCORPORATED AND SHOULD NOT BE USED WITHOUT WRITTEN PERMISSION		



**RECOMMENDED MODULE LAYOUT**  
 (PER JEDEC STANDARD MO-206, 184 CKT.)  
 UNLESS OTHERWISE SPECIFIED, GENERAL TOLERANCE FOR MODULE = ±0.13

**VOLTAGE KEY AREA OPTIONS**



OBS TIN/LEAD P/N EC NO: S2006-0746 DRWN:MLONG CHKD:IHO APPR:GJLEE	REV DESCRIPTION	QUALITY SYMBOLS ▽=0 ◻=0	GENERAL TOLERANCES (UNLESS SPECIFIED)		DIMENSION STYLE MM ONLY		SCALE NTS	DESIGN UNITS METRIC	THIRD ANGLE PROJECTION
			4 PLACES ± ---	± ---	DRAWN BY MLONG	DATE 2000/12/21	TITLE DDR DIMM, 1.27MM PITCH 184 CKTS, R/A		
			3 PLACES ± ---	± ---	CHECKED BY SQUEK	DATE 2000/12/29	APPROVED BY MOLEX INCORPORATED		
			2 PLACES ± 0.25	± ---	APPROVED BY SKTOH	DATE 2000/12/29	DOCUMENT NO. SD-87655-001	SHEET NO. 3 OF 3	
		1 PLACE ± ---	± ---	MATERIAL NO. SEE TABLE					
			ANGULAR ± 5 °	SIZE A3		THIS DRAWING CONTAINS INFORMATION THAT IS PROPRIETARY TO MOLEX INCORPORATED AND SHOULD NOT BE USED WITHOUT WRITTEN PERMISSION			