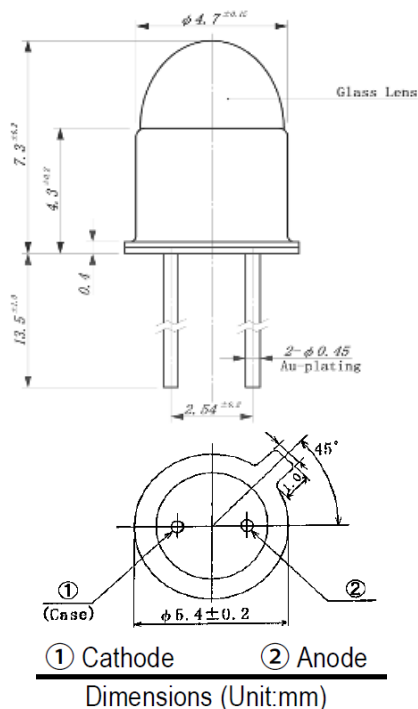


Peak Emission Wavelength: 1300nm



Description

- TO-46 with glass lens cap
- Type: InGaAs/InP, MQW
- High power
- High speed
- Narrow beam angle
- High reliability

Application

- Optical switches
- Optical communication
- Safety equipment
- Automation

Absolute Maximum Ratings (Ta=25°C)



ITEMS	TEST CONDITIONS	SYMBOL	RATINGS	UNIT
Forward DC Current		If	100	mA
Peak Forward Current (pulse)	t _≤ 50us, T = 100us	Ifp	200	mA
Reverse Voltage	I _r =10uA	V _r	5	V
Power Dissipation		P _o	115	mW
Operating Temperature Range		T _{op}	-20 to +85	°C
Storage Temperature Range		T _{st}	-30 to +100	°C
Lead Soldering Temperature	t<5sec, 3mm from case	T _{slg}	260	°C
Junction Temperature		T _j	100	°C

Electrical & Optical Characteristics (Ta = 25°C)

ITEMS	SYMBOL	CONDITIONS	MIN	TYP	MAX	UNIT
Forward Voltage	Vf	If=20mA	--	0.85	1.05	V
Forward Voltage	Vf	If=100mA	--	0.95	1.15	V
Radiant Power	Φ_e	If=20mA	1.2	1.6	--	mW
Radiant Power	Φ_e	If=100mA	--	8	--	mW
Peak Wavelength	λ_p	If=20mA	1270	1300	1330	nm
Spectral Bandwidth	$\Delta\lambda_{0.5}$	If=20mA	--	85	--	nm
Viewing Angle	φ	If=20mA	--	6	--	deg
Switching Time	tr, tf	If=20mA	--	25,40	--	ns