

THIS DRAWING IS UNPUBLISHED.		RELEASED FOR PUBLICATION		2007	
COPYRIGHT 2007 BY TYCO ELECTRONICS CORPORATION. ALL RIGHTS RESERVED.					
PART NUMBER	REV	FIRST USED	POWER UNIT	FEED TYPE	
466799-2	E	-	AMP-O-LECTRIC	AIR FEED	

1. ONLY THE PARTS & HARDWARE LISTED ON PARTS LIST ARE USED ON THIS APPLICATOR.
- △ AFTER ASSEMBLY OF APPLICATOR PROPER SPRING PRESSURE (ITEM 34) CAN BE ACHIEVED BY TIGHTENING SET SCREW (ITEM 123) UNTIL CONTACT IS MADE WITH SPACER (ITEM 32) & THEN TIGHTENING AN ADDITIONAL 5 1/2 TO 6 REVOLUTIONS.
- △ RECOMMENDED SPARE PARTS.
- △ LUBRICATE DAILY USING NO.20 MACH. OIL
- △ GREASE LIGHTLY.

TERMINAL NAME: .187 FLAG FASTON RECEPTACLE					
-	62817	AMP TERMINAL - AMP CRIMP SPECS			
-	-	PAD LTR	CRIMP HEIGHT	WIRE SIZE	Ø SOLDER
-	-	A	.040	16	-
-	-	B	.037	18 OR (2)20	-
-	-	C	.035	20	-
-	-	D	-	-	-
-	-	CRIMP	SIZE	TYPE	RANGE
-	-	WIRE	.140	TAB LOC	20-16
-	-	INSUL	.220	O	.170-.225
WIRE STRIP LENGTH	TERM APPL SPEC	FEED	APPL INSTRUCTIONS	SET UP GAGE	LAYOUT
-	114-2078	.640	A1 8037	-	-

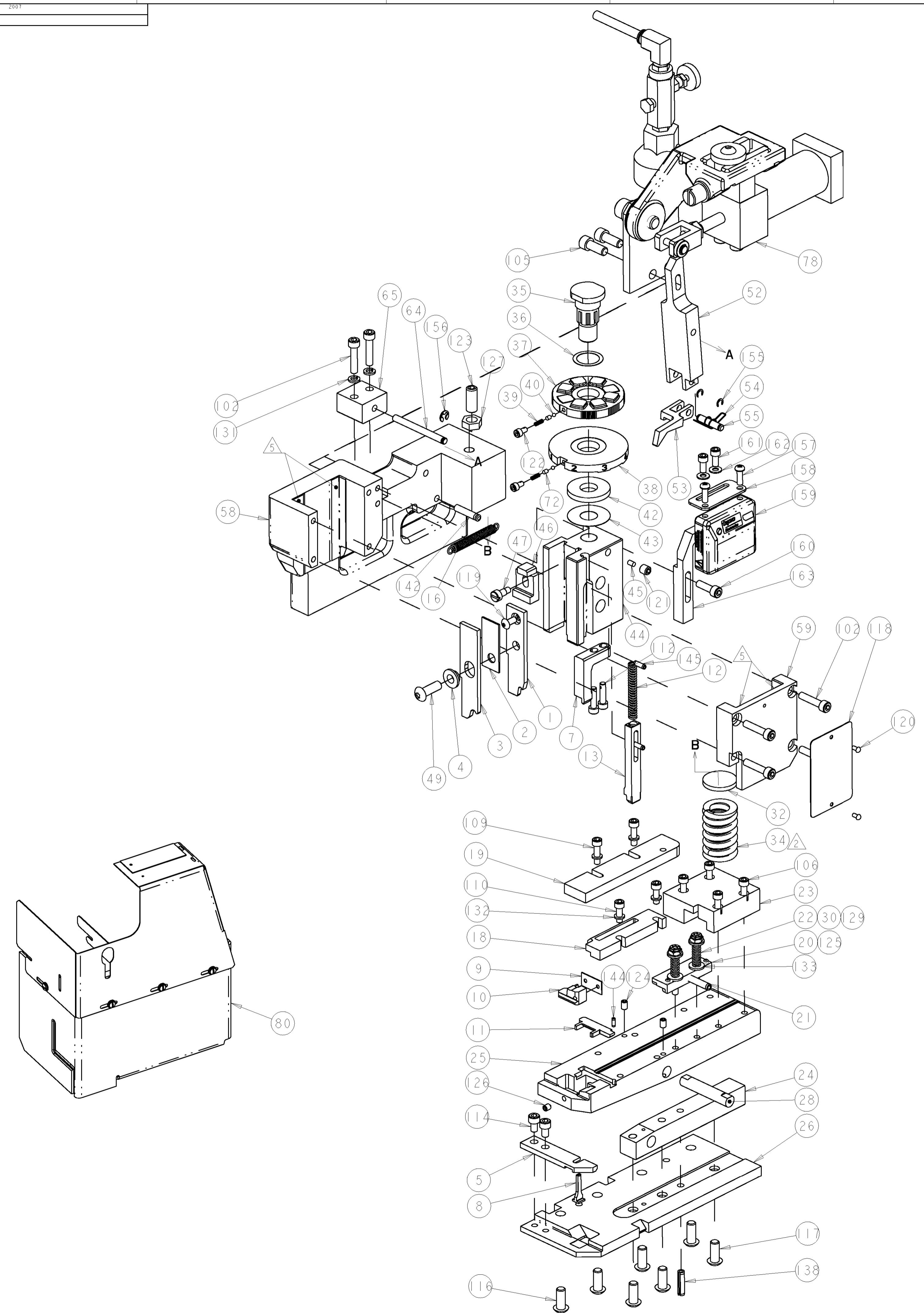
LOC	DIST	REVISIONS				
A	66	P LTR	DESCRIPTION	DATE	DWN	APVD
		E	ECR-07-006533	27MAR2007	BW	TE

2	-	7-21000-6	SCR, SKT HD CAP 10-32 X .312	114
2	-	1-23030-1	SCR, SKT HD CAP, S-LOCK, 8-32 X .625	112
2	-	2-21000-7	SCR, SKT HD CAP 8-32 X .500	110
2	-	2-21000-8	SCR, SKT HD CAP 8-32 X .625	109
4	-	2-21000-9	SCR, SKT HD CAP 8-32 X .750	106
2	-	21001-3	SCR, SKT HD CAP 1/4-20 X .625	105
6	-	3-21000-8	SCR, SKT HD CAP 10-32 X .875	102
1	-	457244-2	GUARD ASSEMBLY	80
1	-	457098-5	AIR FEED ASSEMBLY	78
1	-	694427-1	PLATE, APPLICATOR, MOUNTING	77
2	-	690603-1	SPRING ASSIST AMP-O-MATOR APPLICATOR	72
1	-	456987-1	BLOCK, PIVOT	65
1	-	457058-1	PIN, PIVOT	64
1	-	455164-1	CAP, RAM	59
1	-	457079-1	HOUSING, MACHINING	58
1	-	240624-1	PIN, FEED FINGER	55
1	-	691499-1	SPRING-FEED FINGER	54
1	-	454568-2	FINGER, FEED	53
1	-	457057-1	PIVOT ARM	52
1	-	3-21002-5	SCR, BTN SKT HD CAP 1/4-20 X .750	49
1	-	22353-8	SCR, SHLD, SLOT HD, 3/16 DIA	47
1	-	690578-1	INSULATION ADJUST BLOCK	46
1	-	690191-1	PLUG, NYLON	45
1	-	454574-1	RAM	44
1	-	690125-1	SHIM SUB-ASSY	43
1	-	1-690124-1	WASHER, RAM (.150)	42
2	-	23241-6	BALL, STEEL	40
2	-	690170-1	SPRING, COMPRESSION	39
1	-	690142-1	DISC, INSULATION	38
1	-	8-690692-6	DISC-WIRE CRIMP ADJUSTMENT	37
1	-	22480-5	WASHER, WAVE SPRING	36
1	-	690212-1	POST, RAM	35
1	-	3-23846-5	SPRING, DIE	34
1	-	690573-1	SPACER, SPRING	32
2	-	22354-8	STUD, THREADED	30
1	-	690582-1	PIN, HINGE	28
1	-	684905-1	PLATE, BASE	26
1	-	454579-2	BAR, HINGE	25
1	-	690571-1	STABILIZER	24
1	-	690585-1	BLOCK, SPRING PRESSURE	23
2	-	23470-8	SPRING, COMPRESSION	22
1	-	21029-9	PIN, SLOTTED SPRING .188 X 1.000	21
1	-	457093-3	STOCK DRAG	20
1	-	454573-1	GUIDE, STRIP, REAR	19
1	-	457090-3	GUIDE, FRONT STRIP	18
1	-	2-22287-6	SPRING, EXTENSION	16
1	-	692134-7	TERMINAL POSITIONER	13
1	-	5-22280-5	SPRING, COMPRESSION	12
1	-	454712-5	PLATE, REAR SHEAR	11
1	-	683641-1	ANVIL, INSERT	10
1	-	690569-2	PLATE, SHEAR, FRONT	9
1	-	690718-1	ANVIL, REVERSIBLE	8
1	-	454575-6	BLADE, SHEAR	7
1	-	684906-1	ANVIL RETAINING	5
1	-	690574-1	SPACER, TUBULAR	4
1	-	690764-1	INSULATION CRIMPER	3
1	-	681153-1	SPACER, CRIMPER	2
1	-	690716-3	CRIMPER, WIRE PREMIUM	1
-1	U/M	PART NO	DESCRIPTION	ITEM NO

1	-	1976348-1	L-BRACKET, COUNTER	163
2	-	18028-2	WASHER, FLAT, REG M4	162
2	-	2-21000-6	SCR, SKT HD CAP 8-32 X .375	161
1	-	3-21000-6	SCR, SKT HD CAP 10-32 X .625	160
1	-	1804300-1	ASSEMBLY, APPLICATOR COUNTER	159
1	-	1976349-1	BRACKET, COUNTER	158
2	-	994991-5	SCREW, OVL HD, M4X12	157
1	-	1-21986-2	RING, RETAIN, EXTERN, 3/16 E-RING	156
2	-	21045-3	RING, RETAIN, EXTERN, 3/16 CRESCENT	155
2	-	4-21028-9	PIN, SLOTTED SPRING .125 X .375	145
1	-	3-21028-2	PIN, SLOTTED SPRING .094 X .250	144
1	-	3-22183-7	PIN, GROOVED, TYPE 67	142
1	-	21029-5	PIN, SLOTTED SPRING .188 X .750	138
4	-	1-21899-3	WASHER, FLAT	133
4	-	21024-4	WASHER, SPRG LOCK, REG NO 8	132
2	-	21024-5	WASHER, SPRG LOCK, REG NO 10	131
2	-	21022-2	NUT, HEX, SELF-LOCKING, THIN, 8-32	129
1	-	1-22202-7	NUT, HEX, JAM 5/16-24/UNF	127
1	-	21061-9	SCR, SET, CONE POINT 8-32 X .250	126
2	-	3-21012-1	SCREW, SKT SET (6-32x.38)	125
2	-	4-21006-0	SCR, SET, CUP POINT 8-32 X .250	124
1	-	8-21007-5	SCR, SET, CUP POINT 5/16-24 X .750	123
2	-	23030-1	SCR, SKT HD CAP, S-LOCK, 6-32 X .25	122
1	-	21009-2	SCR, SET, SELF LOCKING 1/4-20 X .250	121
2	-	21017-2	SCREW, DRIVE	120
1	-	2-21002-1	SCR, BTN SKT HD CAP 8-32 X .375	119
1	-	461264-1	PLATE, IDENTIFICATION	118
3	-	3-21002-4	SCR, BTN SKT HD CAP 1/4-20 X .625	117
4	-	2-22733-8	SCR, BHSC, SELF-LOCKING, 1/4-20 X .625	116

DIMENSIONS:		TOLERANCES UNLESS OTHERWISE SPECIFIED:		DWN		TYCO	
IN		0 PLC ±		ED WEAVER 07FEB2007		Tyco Electronics	
1 PLC ±		1 PLC ±		CHK T. ELBIN 07FEB2007		Harrisburg, PA 17105-3608	
3 PLC ±		3 PLC ±		APVD T. ELBIN 07FEB2007		Electronics	
4 PLC ±		4 PLC ±		NAME		APPLICATOR, HINGE BAR, .187 FLAG FASTON RECEPTACLE	
ANGLES		FINISH		PRODUCT SPEC		-	
MATERIAL		FINISH		APPLICATION SPEC		-	
-		-		WEIGHT		-	
-		-		SIZE		CAGE CODE DRAWING NO	
-		-		CUSTOMER DRAWING		A100779C=466799-2	
-		-		SCALE		1:1 SHEET 1 OF 2 REV E	

LOC		DIST		REVISIONS			
A	66	P	LTR	DESCRIPTION	DATE	DWN	APVD
		-	-	SEE SHEET 1	-	-	-



<small>THIS DRAWING IS UNPUBLISHED. RELEASED FOR PUBLICATION 2007. ALL RIGHTS RESERVED. THIS DRAWING IS THE PROPERTY OF TYCO ELECTRONICS CORPORATION. IT IS TO BE USED ONLY FOR THE PURPOSES AND ORGANIZATION SPECIFIED BY THE CUSTOMER. ANY OTHER USE IS STRICTLY PROHIBITED.</small>		DWN: B. WEAVER 07FEB2007 CHK: T. ELBIN 07FEB2007 APVD: T. ELBIN 07FEB2007	tyco Electronics Tyco Electronics Harrisburg, PA 17105-3608
DIMENSIONS: IN 		TOLERANCES UNLESS OTHERWISE SPECIFIED: 0 PLC ± 1 PLC ± 3 PLC ± 4 PLC ± ANGLES ±	NAME: APPLICATOR, HINGE BAR, .187 FLAG FASTON RECEPTACLE PRODUCT SPEC: APPLICATION SPEC: SIZE: CAGE CODE DRAWING NO: A100779C-466799-2 WEIGHT: - CUSTOMER DRAWING
MATERIAL: - FINISH: -		RESTRICTED TO: - SCALE: 3:5 SHEET: 2 OF 2 REV: E	CUSTOMER VIEWABLE ASSEMBLY