

Inductorless, Dual Output Off-Line Regulators

Features

- ▶ Accepts peak input voltages up to 700V
- ▶ Operates directly off of rectified 120 or 230VAC
- ▶ Integrated linear regulator
- ▶ Minimal power dissipation
- ▶ No high voltage capacitors required
- ▶ No transformers or inductors required
- ▶ Up to 1.0W output power

Applications

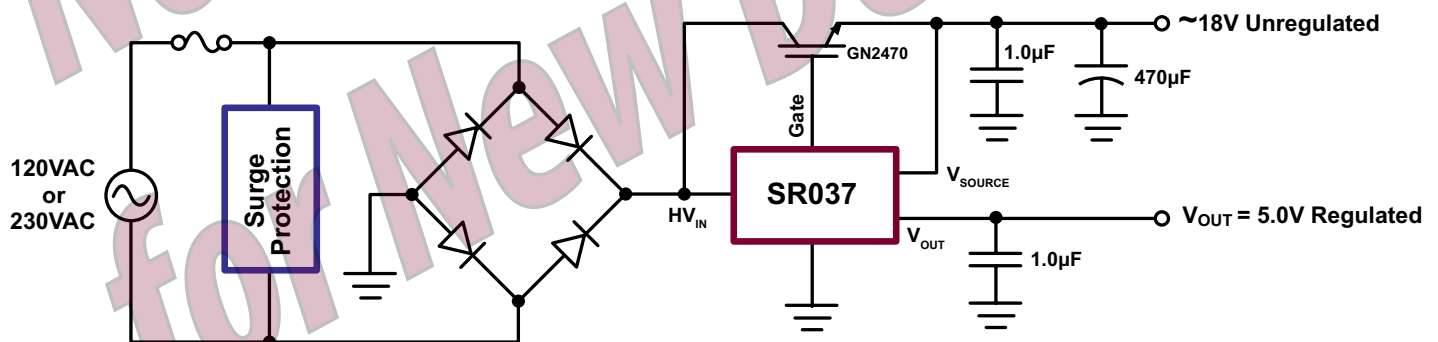
- ▶ 5.0V power supplies
- ▶ SMPS house keeping power supplies
- ▶ White goods
- ▶ Appliances
- ▶ Small off-line low voltage power supplies
- ▶ Lighting controls

General Description

The Supertex SR037 is an inductorless, dual output off-line controller providing up to 1.0W of output power. It does not require any transformers, inductors, or high voltage input capacitors. The input voltage, HV_{IN} , is designed to operate from an unfiltered full wave rectified 120V or 230V AC line. It is designed to control an external N-channel MOSFET or IGBT. When HV_{IN} is less than 45V, the external transistor is turned-on, allowing it to charge an external capacitor connected to V_{SOURCE} . An unregulated DC voltage will develop on V_{SOURCE} . Once HV_{IN} is above 45V, the transistor is turned off. The maximum gate voltage for the external transistor is 24V. The unregulated voltage is approximately 18V. The SR037 also provides a regulated 5.0V.

WARNING! Galvanic isolation is not provided. Dangerous voltages are present when connected to the AC line. It is the responsibility of the designer to assure adequate safeguards are in place to protect the end user from

Typical Application Circuit



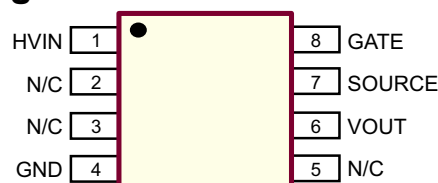
Ordering Information

Device	8-Lead MSOP 3.00x3.00mm body 1.10mm height (max) 0.65mm pitch	8-Lead SOIC w/ Heat Slug 4.90x3.90mm body 1.70mm height (max) 1.27mm pitch
SR037	SR037MG-G	SR037SG-G

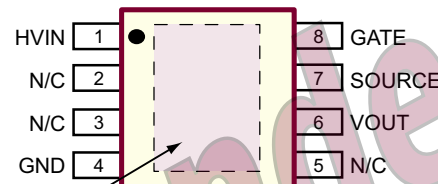
-G indicates package is RoHS compliant ('Green')



Pin Configuration



8-Lead MSOP (MG)



8-Lead SOIC w/ Heat Slug (SG)

(top view)

Make **NO** electrical connections to backside plate!

Absolute Maximum Ratings

Parameter	Value
V _{IN} , High voltage input	+700V
V _{OUT} , Low voltage output	+6.0V
Storage temperature	-65°C to +150°C
Soldering temperature	+300°C
Power dissipation, 8-Lead MSOP	300mW
Power dissipation, 8-Lead SOIC	1.5W ¹

Absolute Maximum Ratings are those values beyond which damage to the device may occur. Functional operation under these conditions is not implied. Continuous operation of the device at the absolute rating level may affect device reliability. All voltages are referenced to device ground.

- When underside plate soldered to 2cm² of exposed copper.

Product Marking

Top Marking



L = Lot Number
YY = Year Sealed
WW = Week Sealed
— = "Green" Packaging

Bottom Marking



8-Lead MSOP (MG)



YY = Year Sealed
WW = Week Sealed
L = Lot Number
— = "Green" Packaging

8-Lead SOIC w/ Heat Slug (SG)

Electrical Specifications (Over operating supply voltages unless otherwise noted, T_A = 0°C to +125°C)

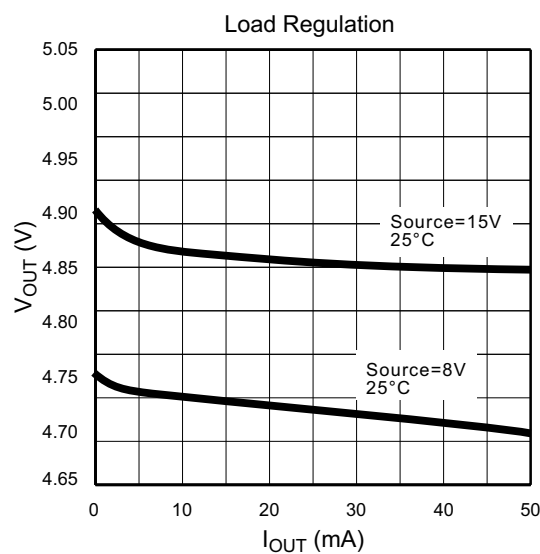
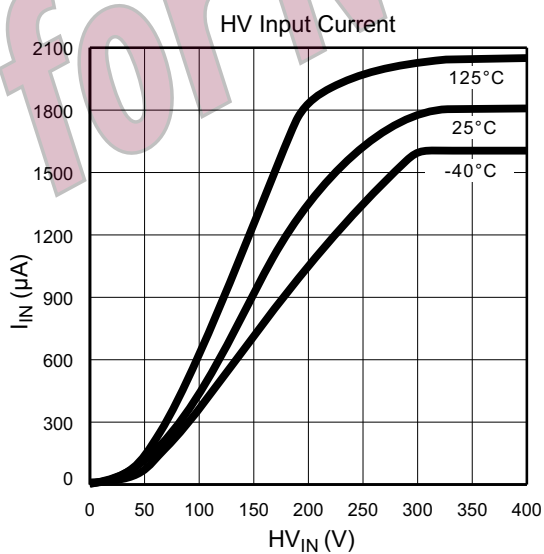
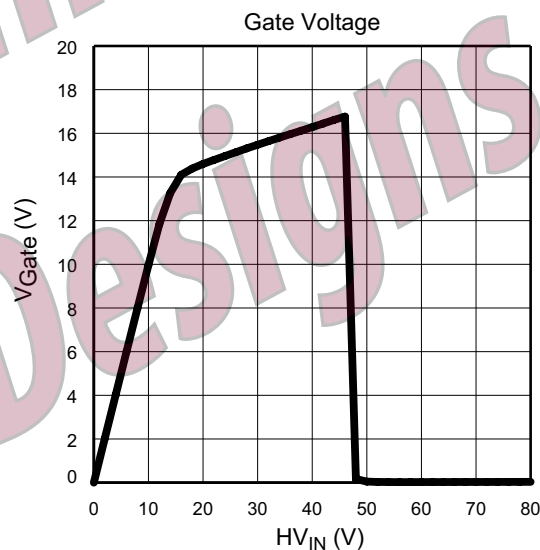
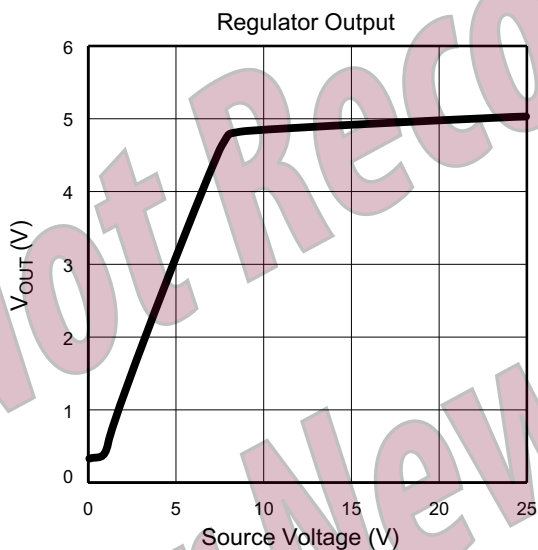
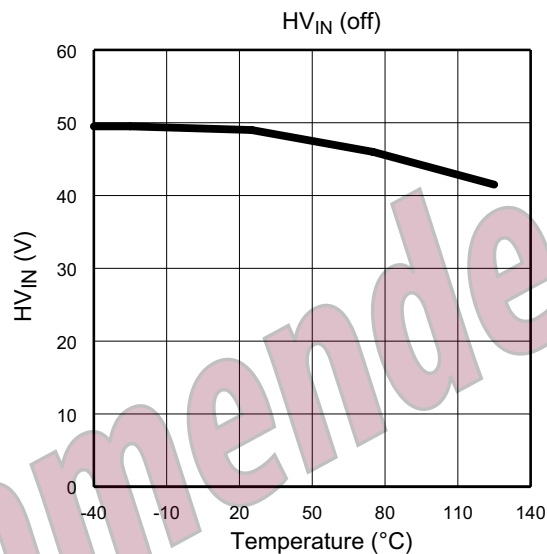
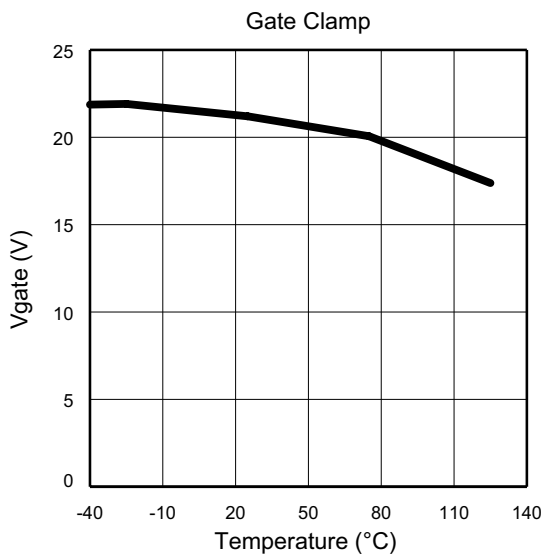
Sym	Parameter	Min	Typ	Max	Units	Conditions
HV _{IN}	Input voltage	-	-	700	V	Peak transient voltage
		-	-	407		Peak rectified AC voltage
V _{TH}	HV _{IN} voltage when Gate is pulled to ground	40	45	50	V	---
V _{GS}	Gate to Source clamp voltage	±10	±15	±20	V	I _{GS} = ±100μA
V _{GATE}	Gate to ground clamp voltage	18	20	24	V	---
V _{OUT}	Regulated output voltage for the 8-Lead SOIC	4.50	5.00	5.50	V	V _{SOURCE} = 10V
ΔV _{OUT}	V _{OUT} load regulation	-	20	120	mV	V _{SOURCE} = 10V, I _{LOAD} = 0 to 50mA ¹
Freq	Input AC frequency	40	-	100	Hz	---

- Load current on the regulated output must not cause power dissipation to exceed max ratings. Worst case power dissipation is given by:

$$P \approx \frac{V_{IN}^2}{185k\Omega} + (16V - V_{OUT}) \cdot I_{OUT}$$

Where I_{OUT} is the load on the regulated output.

Typical Performance Curves



Application Information

Operating Principle

The SR037 operates by controlling the conduction angle of the external MOSFET as shown in Figure 1. When the rectified AC voltage is below the V_{TH} threshold, the pass transistor is turned on. The pass transistor is turned off when the rectified AC is above $HV_{IN(OFF)}$. Output voltage (V_{UNREG}) decays during the periods when the switch is off and when the rectified AC is below the output voltage. The amount of decay is determined by the load and the value of C1. Since the switch only conducts with low voltages across it, power dissipation is minimized.

Functional Block Diagram

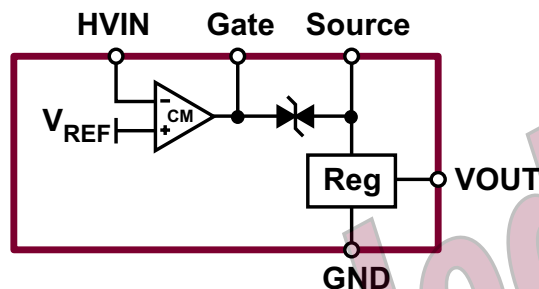
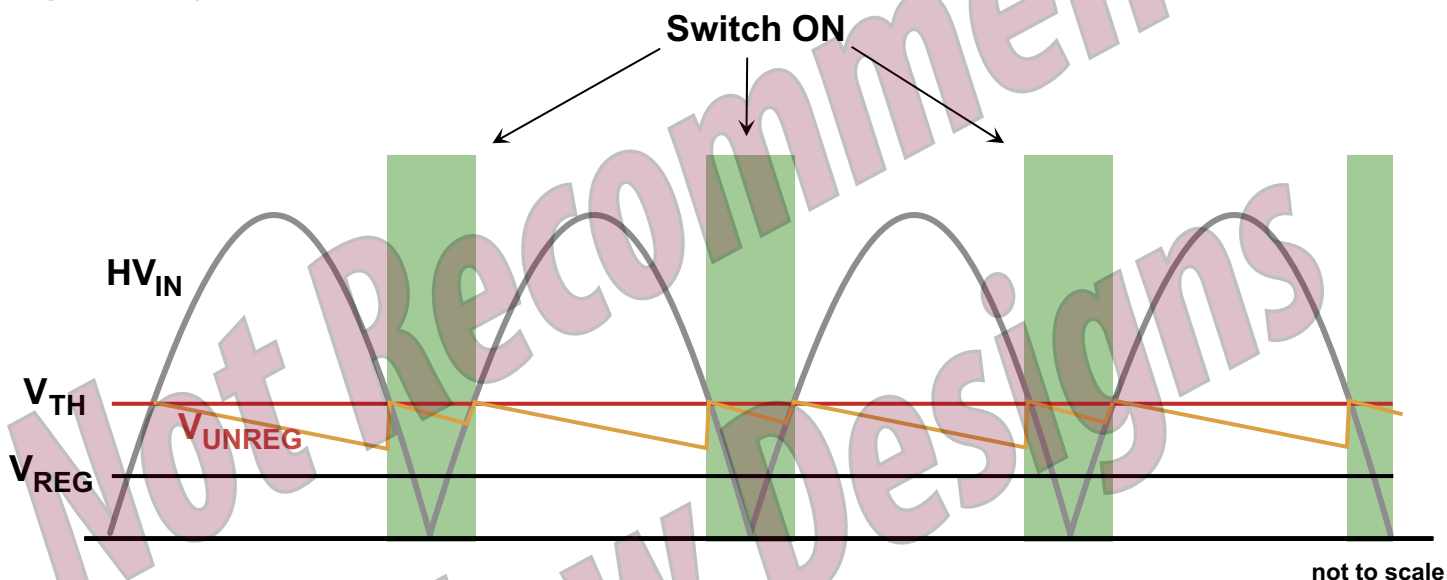


Figure 1. Typical Waveforms



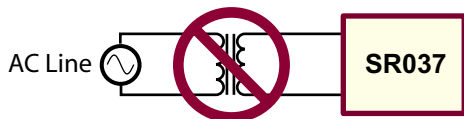
Power dissipation

Power dissipation in the SR037 is from 2 sources. The first is due to the bias current (or overhead) required to operate the device. This may be calculated from $P_{BIAS} = V_{IN}^2 / 185k\Omega$, where V_{IN} is the input voltage in V_{RMS} . The second source of power dissipation is the 3.3V linear regulator and may be calculated from $P_{REG} = (16V - V_{OUT}) * I_{REG}$, where V_{OUT} is 3.3V, and I_{REG} is the load current on the 3.3V output. The total power dissipated by the SR037 is the sum of these two: $P_{BIAS} + P_{REG}$. (These equations are conservative – actual dissipation may be less.)

To adequately dissipate the power, the underside plate of the SR037SG should be soldered to at least 2.0cm² of exposed copper area on the PCB.

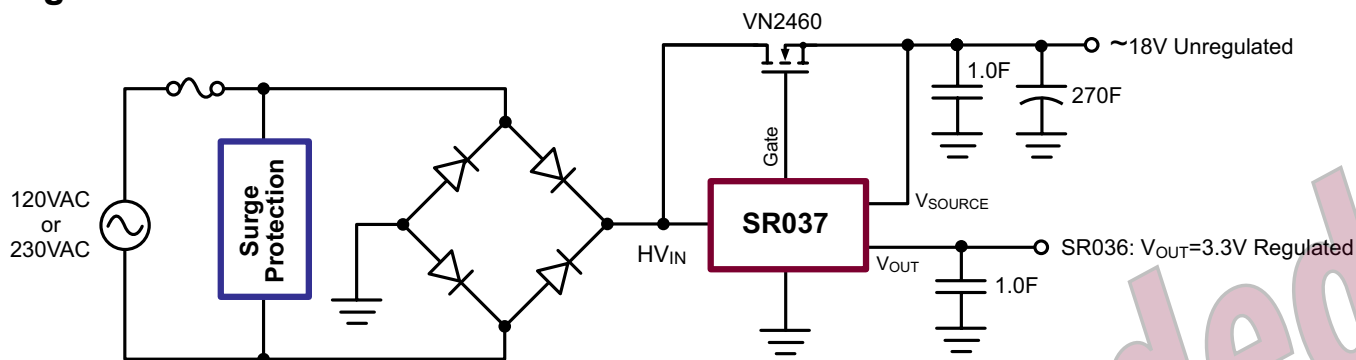
Power is also dissipated by the pass transistor. Power dissipated by the transistor will be $(16V * I_{TOTAL}) * (1/Eff - 1)$ where I_{TOTAL} is the sum of the load currents on the regulated and unregulated outputs and Eff is the converter efficiency (0.30 to be conservative). The transistor should be soldered to at least 5.0cm² of exposed copper area on the PCB for heat-sinking.

Transformers

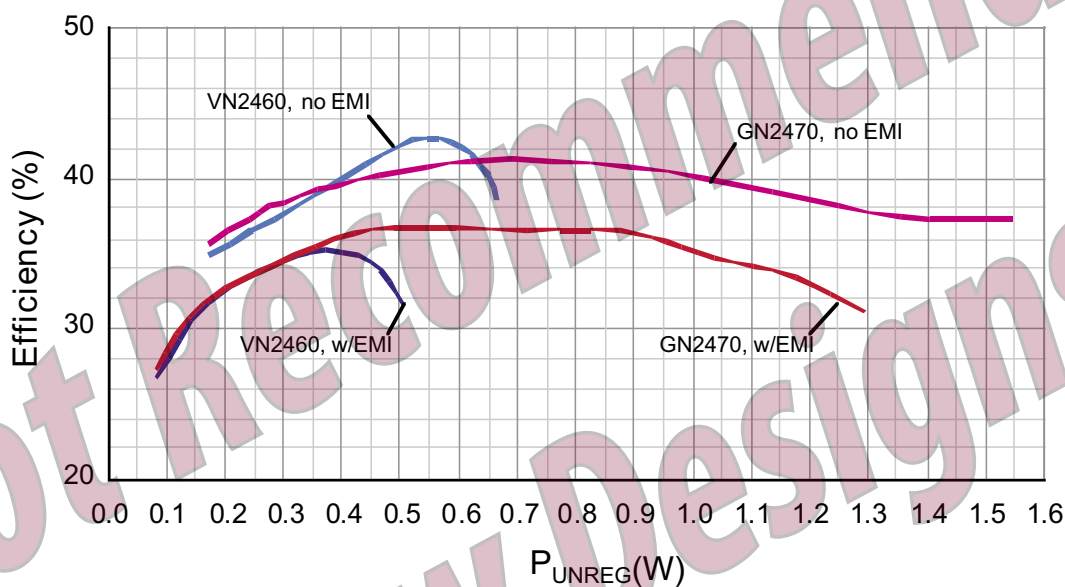


Do not use a transformer - either fixed or variable - on the AC line. The inductance of the transformer interferes with the normal operation of the SR037.

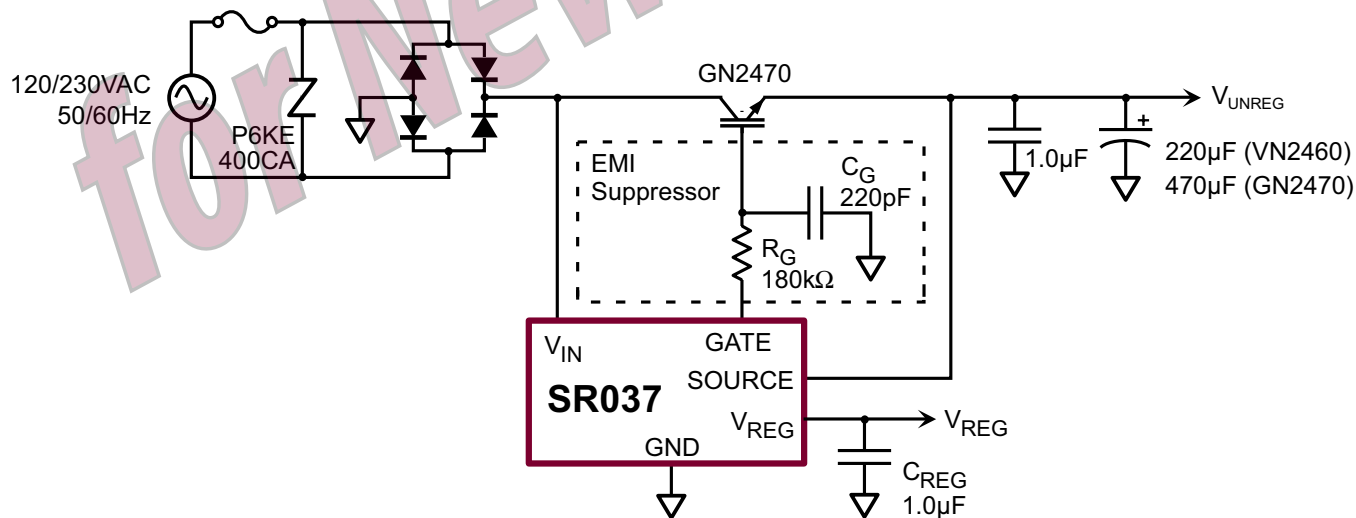
Using a MOSFET in Place Of an IGBT



SR037 Efficiency



Efficiency and EMI Test Circuit

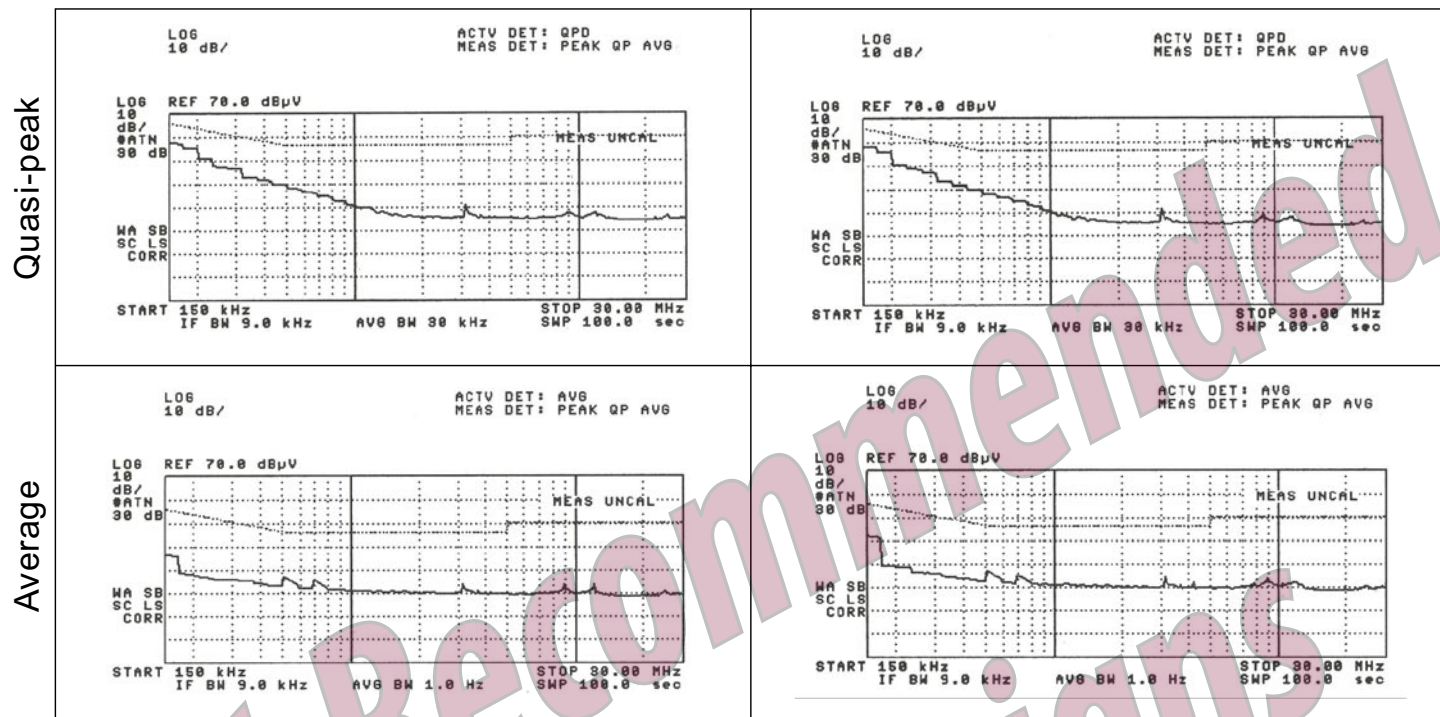


SR037 Circuit Using VN2460 (with EMI Supression Circuit)

120VAC/60Hz - Limits per 47CFR15.107 for Class B devices. 45mA total load.

Hot

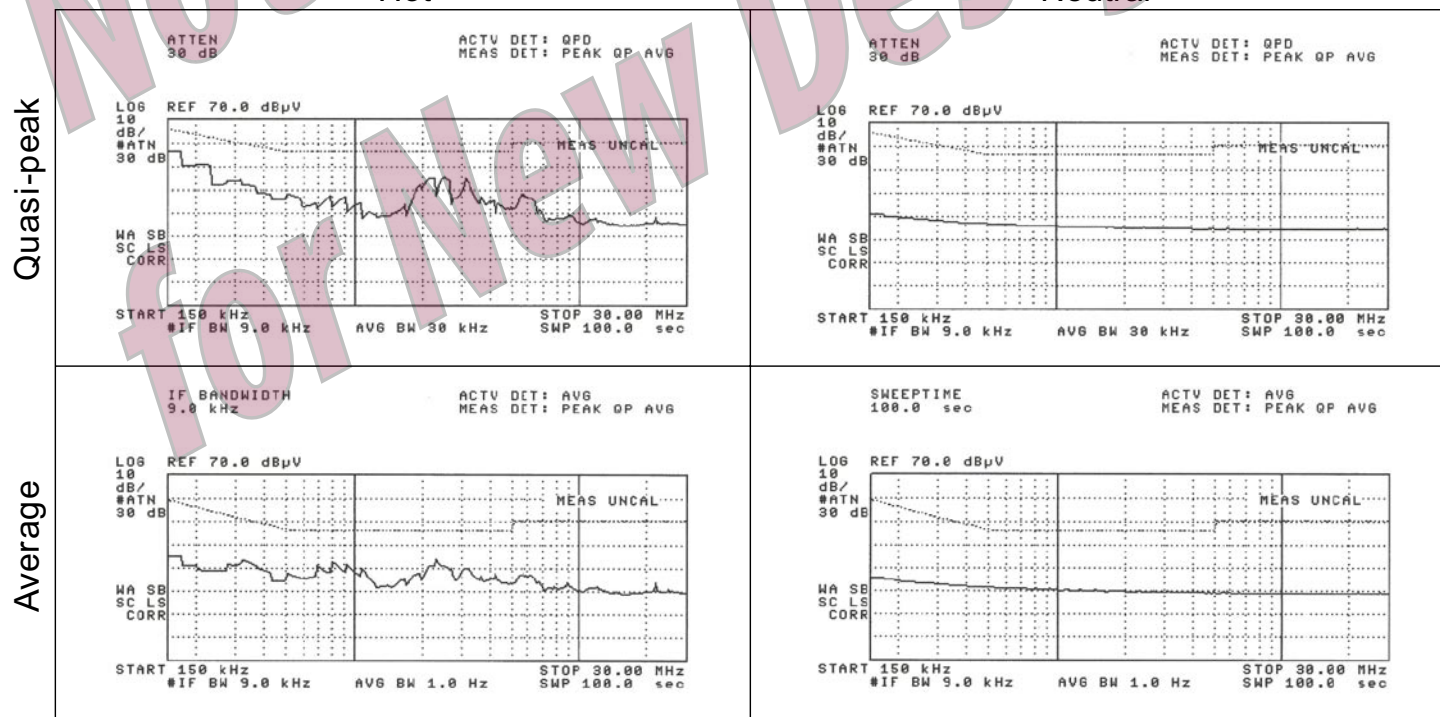
Neutral



208VAC/60Hz (230VAC/50Hz not available) - Limits per CISPR 14-1 for household appliances. 23mA total load.

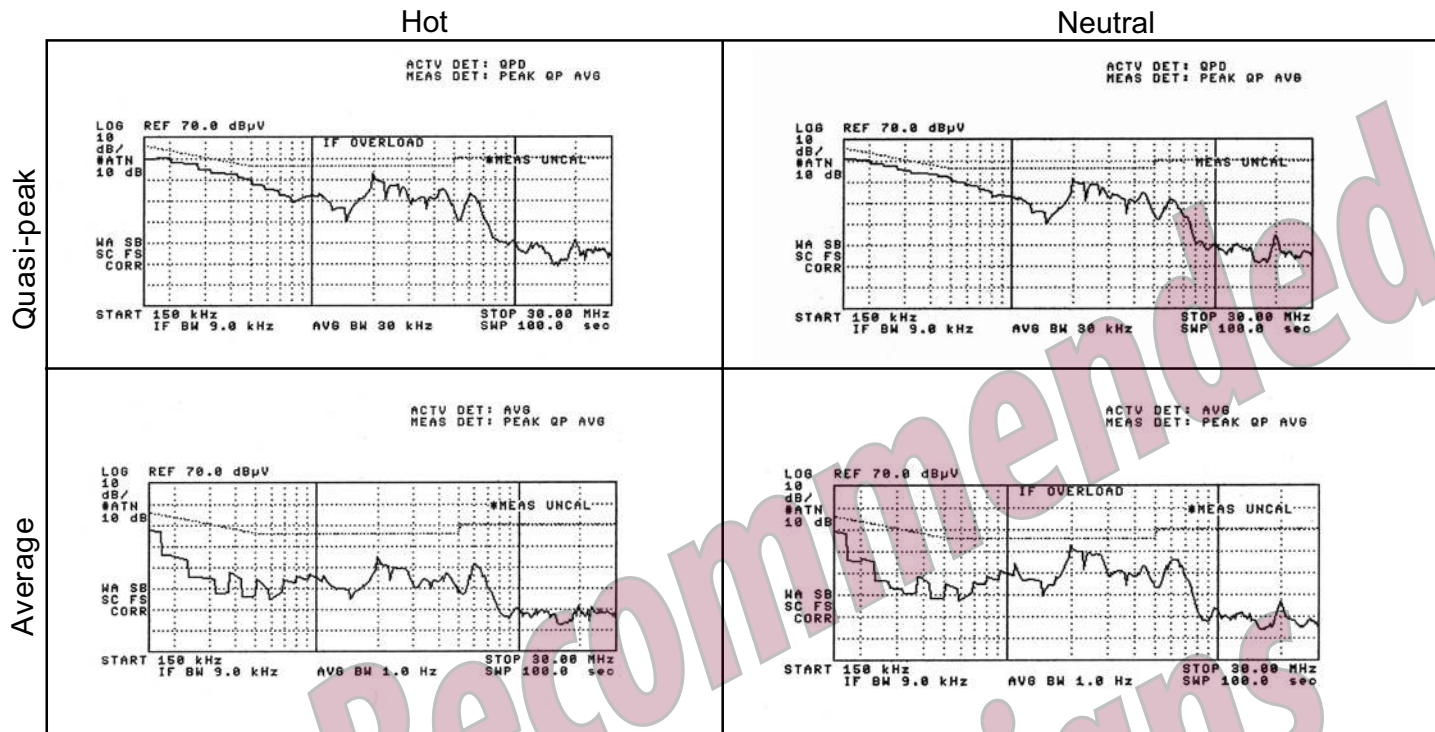
Hot

Neutral

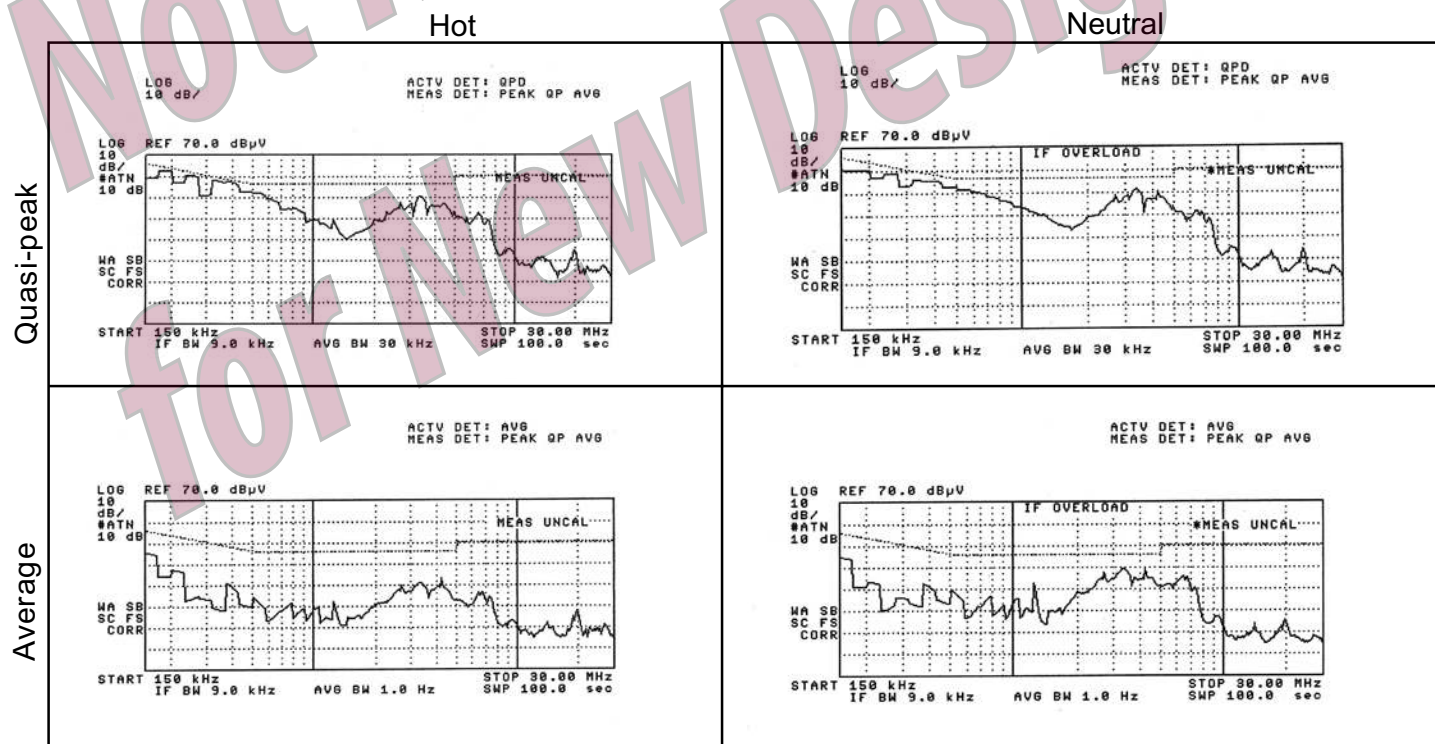


SR037 Circuit Using GN2470 (no EMI Suppressor)

120VAC/60Hz - Limits per 47CFR15.107 for Class B devices. 50mA total load.

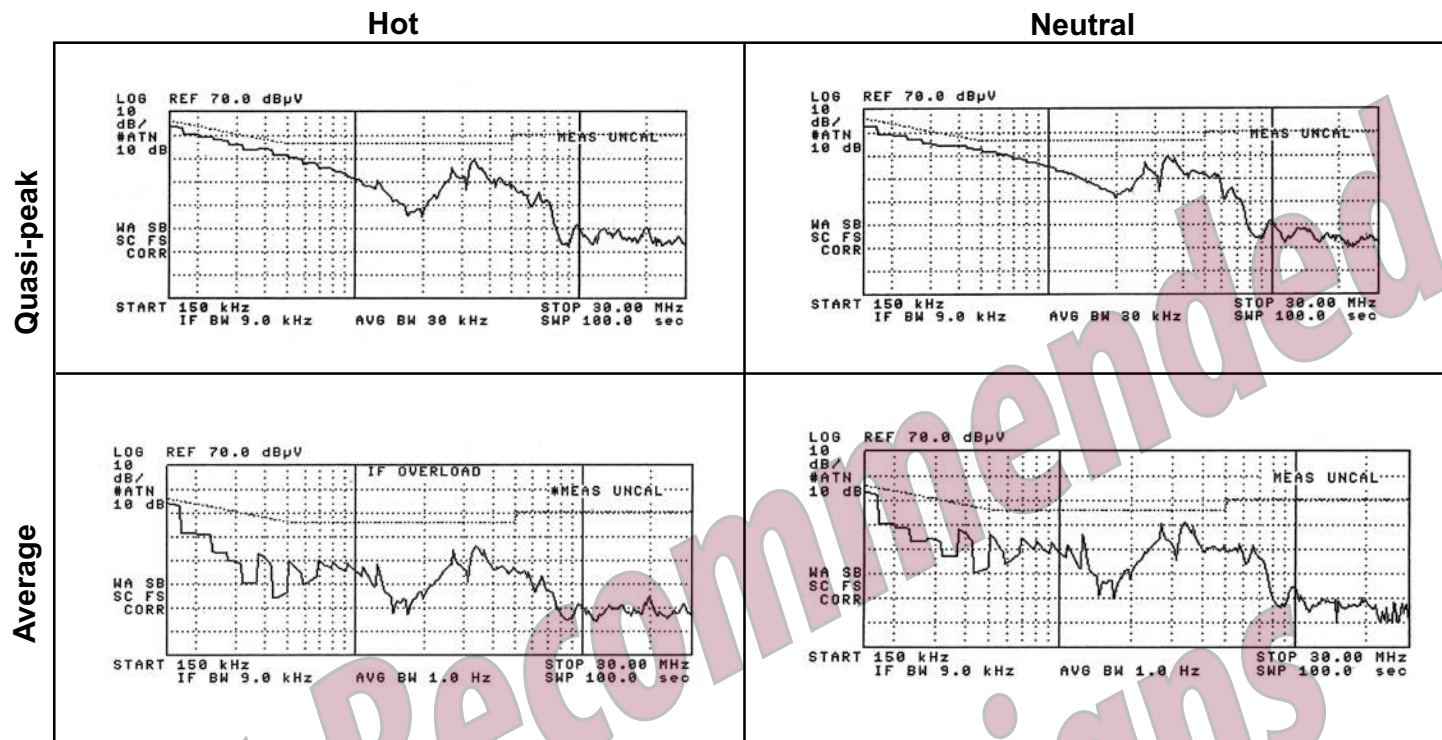


208VAC/60Hz - (230VAC/50Hz not available). Limits per CISPR 14-1 for household appliances. 25mA total load.



SR037 Circuit Using GN2470 (no EMI Suppressor)

120VAC/60Hz - Limits per 47CFR15.107 for Class B devices. 100mA total load.



Not Recommended for New Designs

Application Information (cont.)

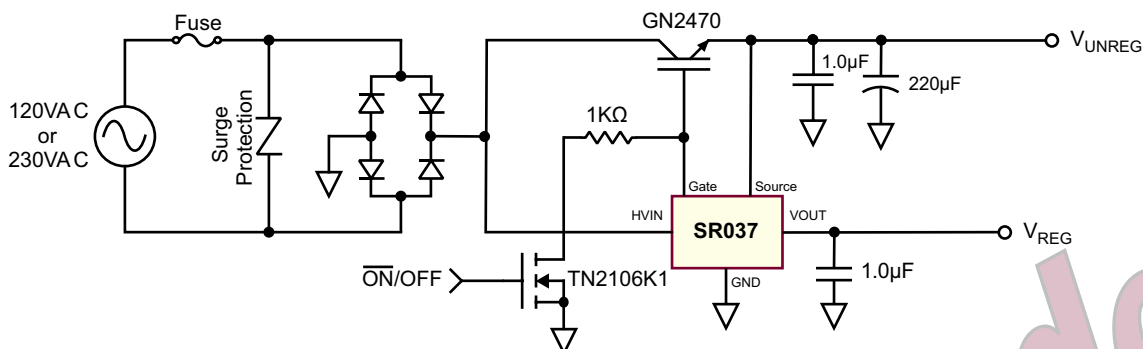


Figure 2: Example Circuit with Enable Control

Figure 2 is an example circuit using the SR037 along with a Supertex GN2470 IGBT to generate an unregulated voltage of approximately 18V and a regulated voltage of 3.3V.

The combined total output current is typically 50mA. The TN2106K1 in series with a 1.0KΩ resistor can be added for applications requiring an enable control.

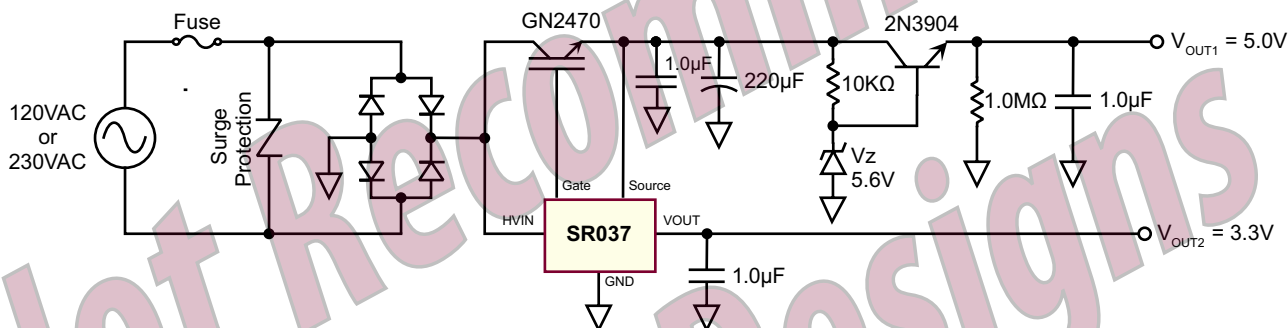


Figure 3: Generating Two Regulated Voltages

For applications requiring two regulated voltages, an inexpensive discrete linear regulator can be added to regulate the unregulated output as show in Figure 3. The discrete linear regulator consists of a Zener diode, a resistor and a bipolar transistor. The regulated voltage, V_{OUT1} , is determined

by the Zener diode voltage minus the base-to-emitter voltage drop of 0.6V. Figure 3 uses a 5.6V Zener diode to obtain a 5.0V output. Different Zener diode voltages can be used to obtain different regulated output voltages.

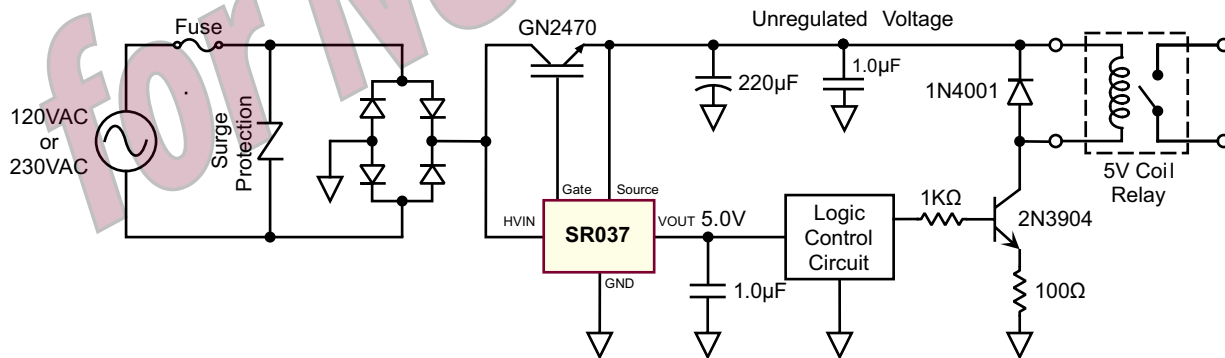


Figure 5: Driving 5V Relay Coils

The circuit shown in Figure 4 uses the SR037 to supply a regulated 3.3V for the logic control circuitry, while the unregulated voltage is used to drive a 12V relay coil. The operat-

ing voltage for a 12V relay coil is typically very wide and can therefore operate directly from the unregulated line.

Application Information (cont.)

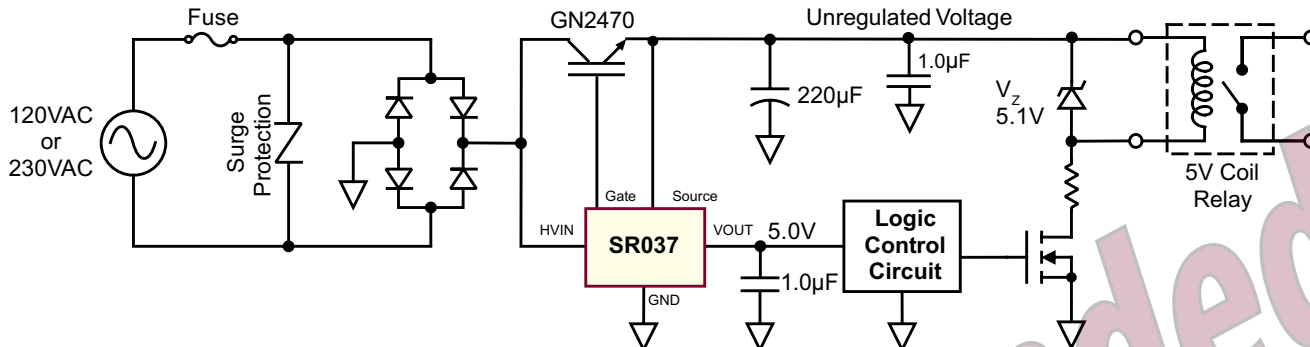


Figure 5: Driving 5V Relay Coils with Zener Diode Clamp

The circuit shown in Figure 5 uses the SR037 to drive 12 high efficiency red LEDs from an AC line. The average LED current is approximately 20mA.

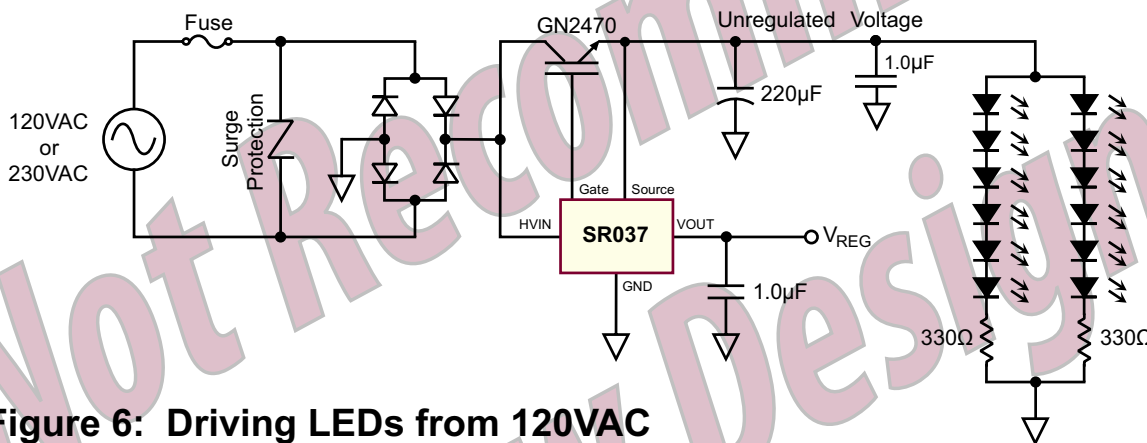


Figure 6: Driving LEDs from 120VAC

The circuit shown in Figure 5 uses the SR037 to drive 12 high efficiency red LEDs from an AC line. The average LED current is approximately 20mA.

Application Information (cont.)

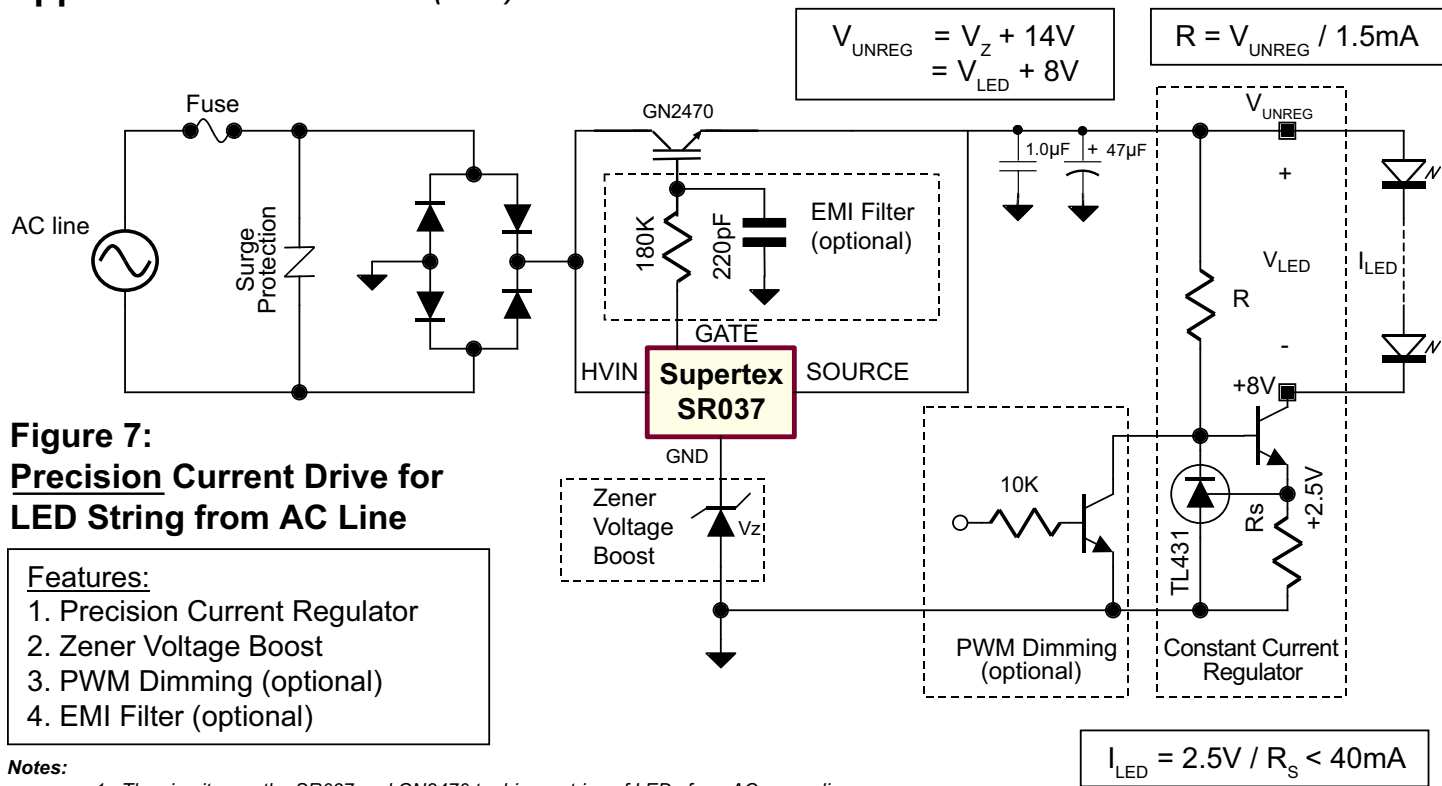


Figure 7:
Precision Current Drive for LED String from AC Line

- Features:**
1. Precision Current Regulator
 2. Zener Voltage Boost
 3. PWM Dimming (optional)
 4. EMI Filter (optional)

- Notes:**
1. The circuit uses the SR037 and GN2470 to drive a string of LEDs from AC power line.
 2. The LED current is regulated at up to 40mA.
 3. The LED string voltage can be up to AC line voltage (120V for 120VAC / 230V for 230VAC).

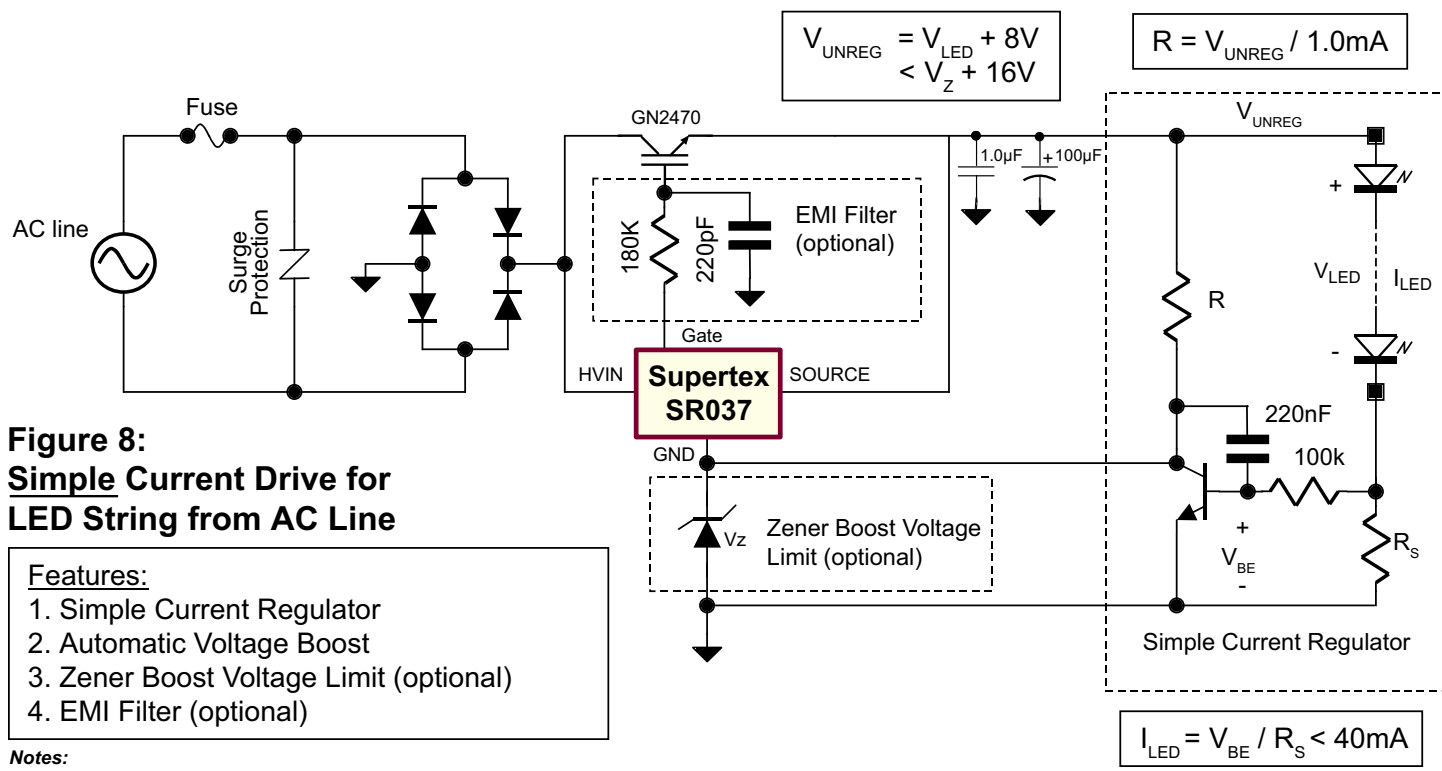


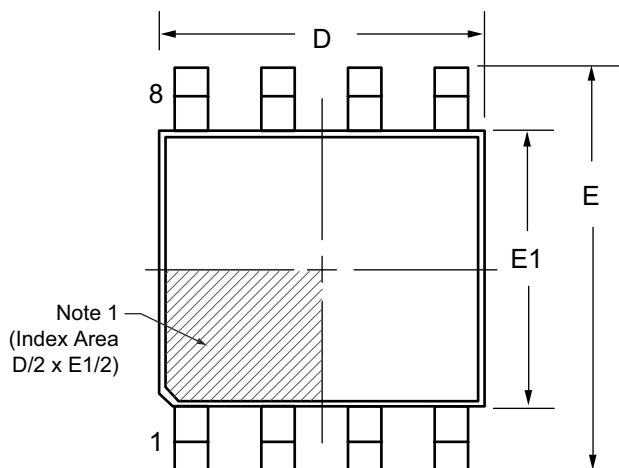
Figure 8:
Simple Current Drive for LED String from AC Line

- Features:**
1. Simple Current Regulator
 2. Automatic Voltage Boost
 3. Zener Boost Voltage Limit (optional)
 4. EMI Filter (optional)

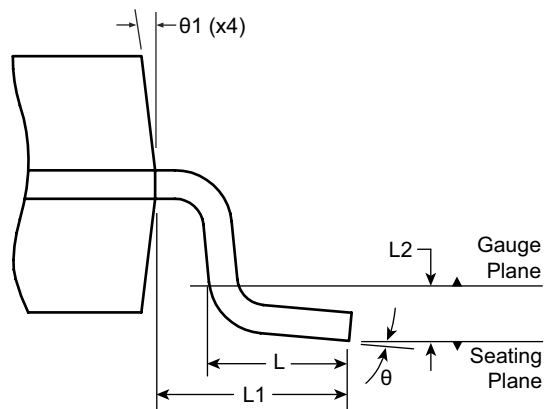
- Notes:**
1. The circuit uses the SR037 and GN2470 to drive a string of LEDs from AC power line.
 2. The LED current is regulated at up to 40mA.
 3. The LED string voltage can be up to AC line voltage (120V for 120VAC / 230V for 230VAC).

8-Lead MSOP Package Outline (MG)

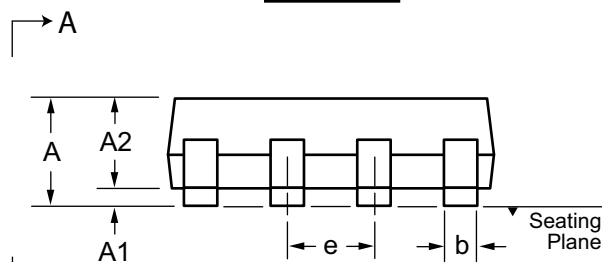
3.00x3.00mm body, 1.10mm height (max), 0.65mm pitch



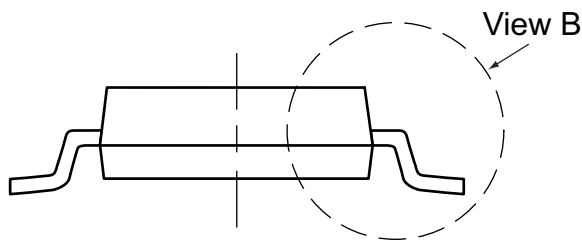
Top View



View B



Side View



View A-A

Note:
1. A Pin 1 identifier must be located in the index area indicated. The Pin 1 identifier can be: a molded mark/identifier; an embedded metal marker; or a printed indicator.

Symbol		A	A1	A2	b	D	E	E1	e	L	L1	L2	θ	θ1
Dimension (mm)	MIN	0.75*	0.00	0.75	0.22	2.80*	4.65*	2.80*	0.65 BSC	0.40	0.95 REF	0.25 BSC	0°	5°
	NOM	-	-	0.85	-	3.00	4.90	3.00		0.60			-	-
	MAX	1.10	0.15	0.95	0.38	3.20*	5.15*	3.20*		0.80			8°	15°

JEDEC Registration MO-187, Variation AA, Issue E, Dec. 2004.

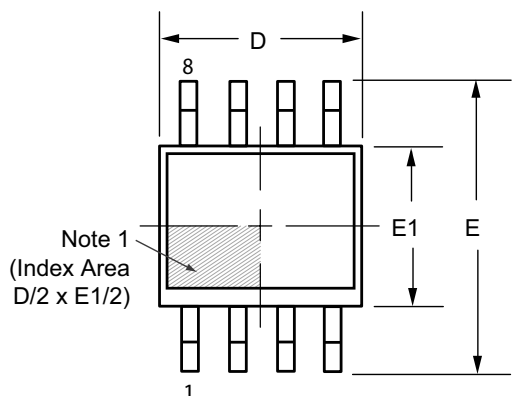
* This dimension is not specified in the original JEDEC drawing. The value listed is for reference only.

Drawings are not to scale.

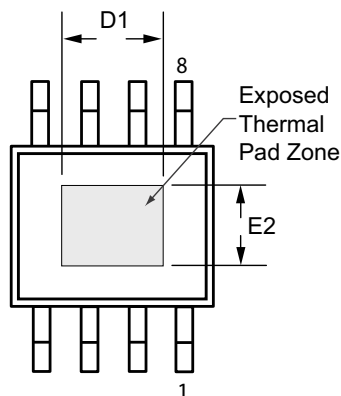
Supertex Doc. #: DSPD-8MSOPMG, Version G101008.

8-Lead SOIC (Narrow Body w/Heat Slug) Package Outline (SG)

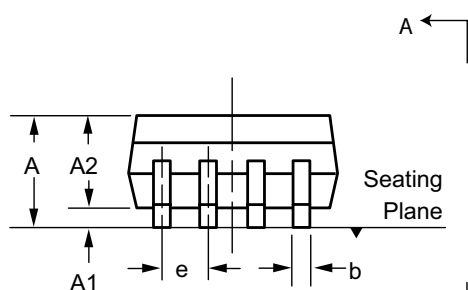
4.90x3.90mm body, 1.70mm height (max), 1.27mm pitch



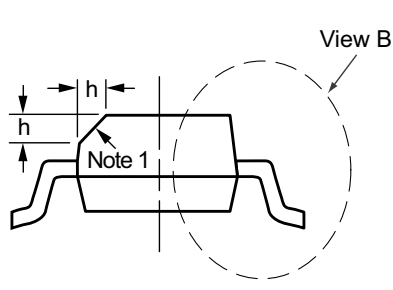
Top View



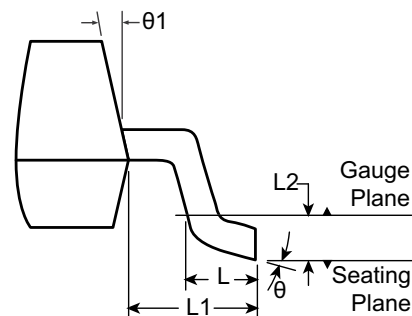
Bottom View



Side View



View A - A



View B

Notes:

1. If optional chamfer feature is not present, a Pin 1 identifier must be located in the index area indicated. The Pin 1 identifier can be: a molded mark/identifier; an embedded metal marker; or a printed indicator.

Symbol	A	A1	A2	b	D	D1	E	E1	E2	e	h	L	L1	L2	θ	θ1		
Dimension (mm)	MIN	1.25*	0.00	1.25	0.31	4.80*	3.30†	5.80*	3.80*	2.29†	1.27 BSC	0.25	0.40	1.04 REF	0.25 BSC	0°	5°	
	NOM	-	-	-	-	4.90	-	6.00	3.90	-		-	-		-	-	-	-
	MAX	1.70	0.15	1.55*	0.51	5.00*	3.81†	6.20*	4.00*	2.79†		0.50	1.27		-	-	8°	15°

JEDEC Registration MS-012, Variation BA, Issue E, Sept. 2005.

* This dimension is not specified in the original JEDEC drawing. The value listed is for reference only.

† This dimension is a non-JEDEC dimension.

Drawings not to scale.

Supertex Doc. #: DSPD-8SOSG, Version C090408.

(The package drawing(s) in this data sheet may not reflect the most current specifications. For the latest package outline information go to <http://www.supertex.com/packaging.html>.)

Supertex inc. does not recommend the use of its products in life support applications, and will not knowingly sell them for use in such applications unless it receives an adequate "product liability indemnification insurance agreement." Supertex inc. does not assume responsibility for use of devices described, and limits its liability to the replacement of the devices determined defective due to workmanship. No responsibility is assumed for possible omissions and inaccuracies. Circuitry and specifications are subject to change without notice. For the latest product specifications refer to the Supertex inc. website: <http://www.supertex.com>.