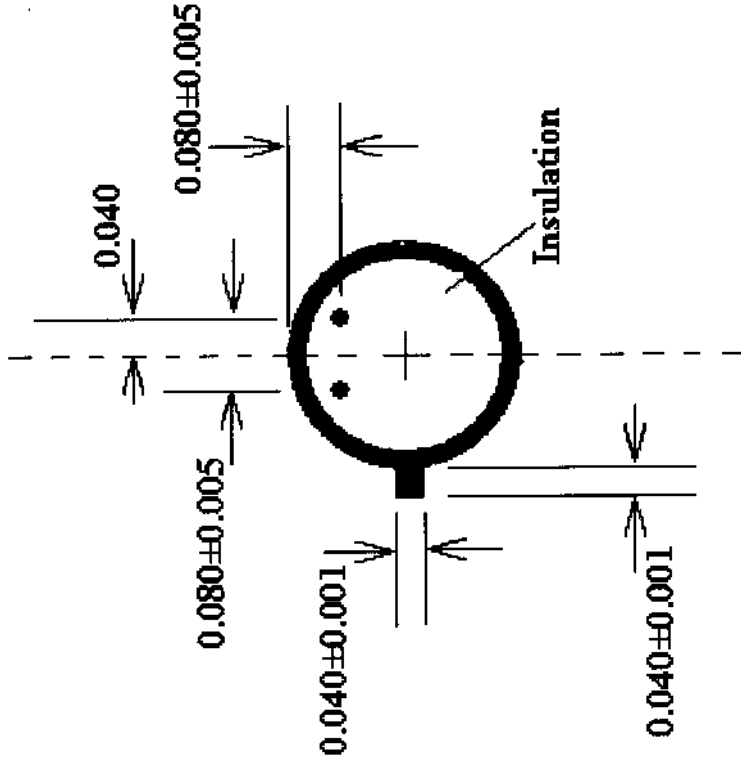
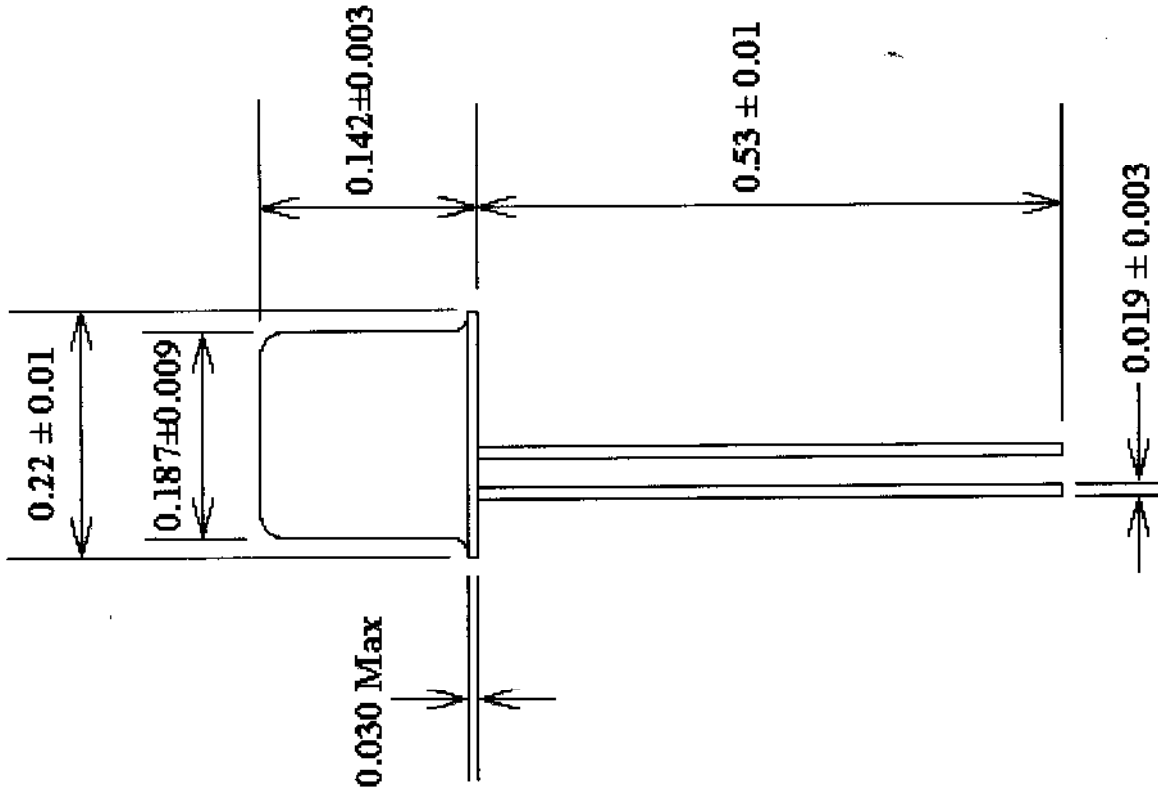


**TS3-XX**



CANADIAN THERMOSTATS & CONTROL DEVICES LTD.  
 8415 MOUNTAIN SIGHTS AVE.  
 MONTREAL, QUEBEC, CANADA H4P 2B8  
 TEL: (514) 739-3274  
 FAX: (514) 739-2902

Drawing No. : TS3-XX

Scale: NONE

Drawn by : G.M. PhD

Date: October 26, 2004