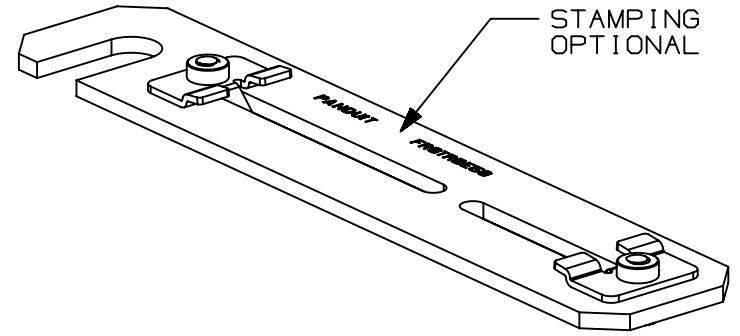
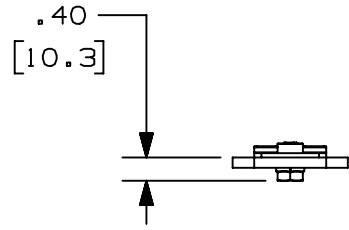
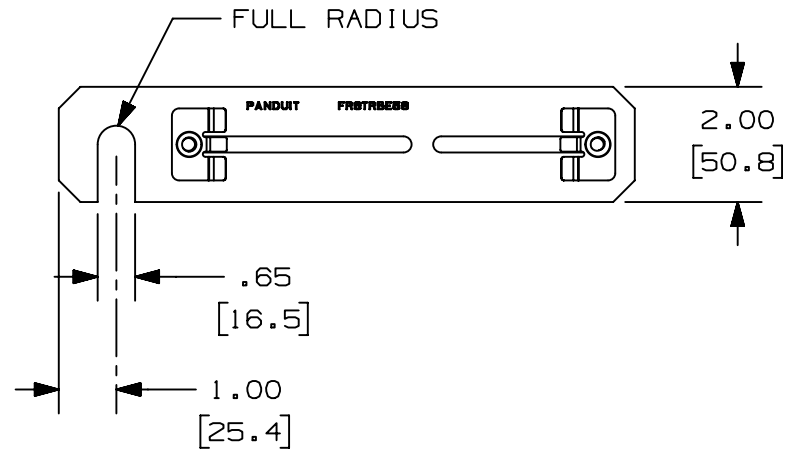


THIS COPY IS PROVIDED ON A RESTRICTED BASIS AND IS NOT TO BE USED IN ANY WAY DETRIMENTAL TO THE INTERESTS OF PANDUIT CORP.

PANDUIT PART NUMBER	WEIGHT
FR6TRBE58 FR6TRBE58M	1.25 LB/EACH (567g/EACH)

NOTES:

1. SEE CURRENT CATALOG FOR ADDITIONAL PART SUFFIXES TO INDICATE PACKAGE QUANTITY.
2. THE FIBERRUNNER 4x4 AND 6x4 QUIKLOCK EXISTING THREADED ROD BRACKET IS USED TO SUPPORT THE FIBERRUNNER 4x4 AND/OR 6x4 CABLE ROUTING SYSTEMS FROM A SECTION OF EXISTING 5/8" (M16) THREADED ROD.
3. THE FIBERRUNNER 4x4 AND 6x4 QUIKLOCK EXISTING THREADED ROD BRACKET INCLUDES:
ONE (1) BRACKET ASSEMBLY,
TWO (2) 5/8-11 SPLIT LOCK NUTS (FR6TRBE58 ONLY),
TWO (2) M16x2 SPLIT LOCK NUTS (FR6TRBE58M ONLY).
4. FINISH COLOR: BLACK (EXCEPT HARDWARE)
5. DIMENSIONS IN PARENTHESES ARE IN METRIC.



ISO VIEW SCALE 1:2

A

A

D10.100DA/20

REV	DATE	BY	CHK	APR	DESCRIPTION	ECN
02C	9/17/19	MEX-JAGC	FWI	FWI	J. "STAMPING OPTIONAL" LABEL ADDED SEE PREVIOUS REVISION FOR HISTORY	V09002CN/07

TITLE FIBERRUNNER 4X4 AND 6X4 QUIKLOCK EXISTING THREADED ROD BRACKET - 5/8' (M16) THREADED ROD						
CUSTOMER DRAWING						
ITEM REVISION NAME D37585CY/02			PANDUIT			
DATASET FILE NAME D37585CY_DC/02C						
DRAWING NUMBER: 37585-70			MATERIAL: N/A			
DRAWN BY JHNU		DATE 11-03-00	CHK HIW	SCALE NONE	THIRD ANGLE PROJECTION	
SHT 1 OF 1		A				