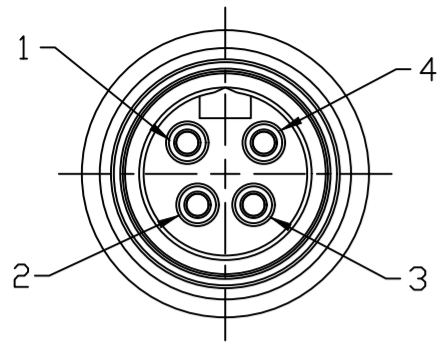
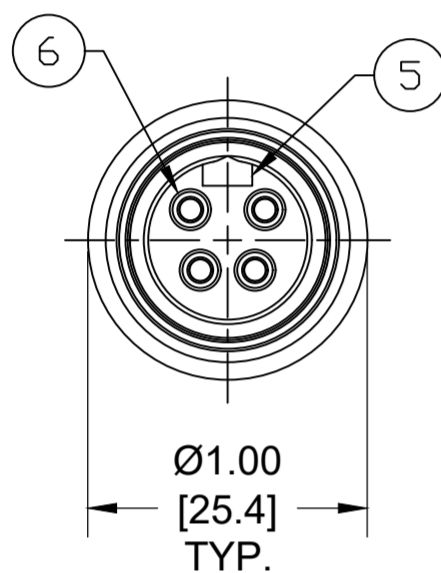


**MALE INSERT  
FRONT VIEW**

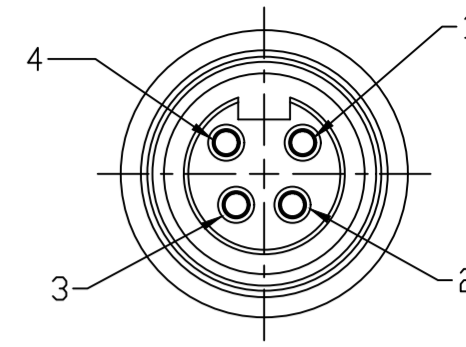


1-BLACK  
2-WHITE  
3-RED  
4-GREEN/YELLOW

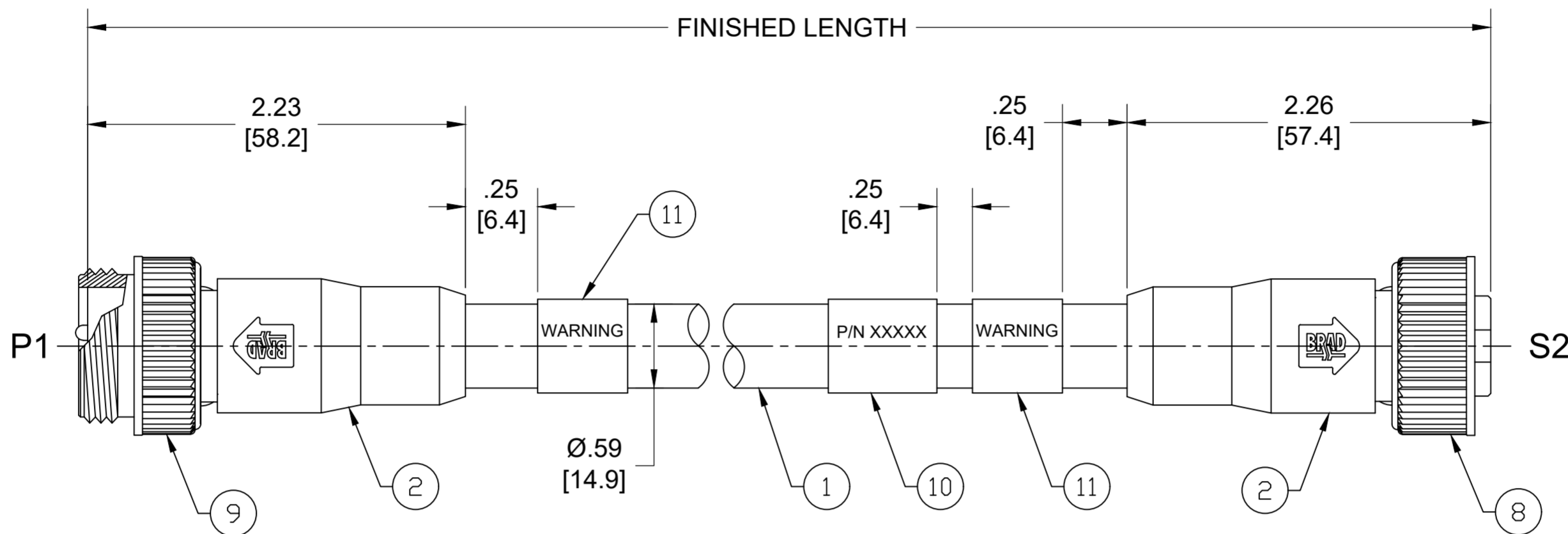
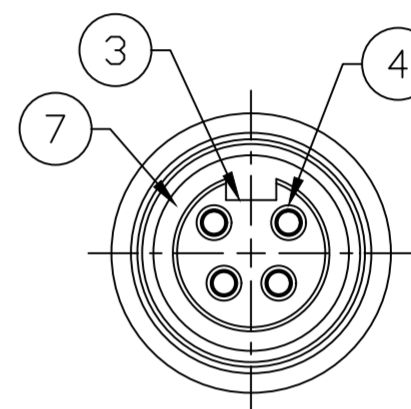


PART NO	ENGINEERING NO.	FINISHED LENGTH
1300620120	114030A46M010	1M [3 FT 3 IN]
1300620141	114030A46M300	30M [98 FT 5 IN]
1300621062	114030A46M840	84M [275 FT 7 IN]

**FEMALE INSERT  
FRONT VIEW**



1-BLACK  
2-WHITE  
3-RED  
4-GREEN/YELLOW



**NOTES:**

- MATERIAL: AS NOTED
- FINISH: AS NOTED
- ELECTRICAL:  
VOLTAGE: 483V PER IEC60664 (D)  
600V PER UL2237  
CURRENT: 15A
- TEMP RATING: -20°TO +105°C
- PROTECTION: IP67 (WHEN MATED)
- COUPLING THREAD: 7/8"-16UN
- UL LISTED FILE: E258922
- ALL DIMENSIONS ARE FOR REFERENCE UNLESS TOLERANCED OR NOTED OTHERWISE

P1		S2	
1	BLACK	1	
2	WHITE	2	
3	RED	3	
4	GREEN/YELLOW	4	

**WIRING DIAGRAM**

**PART NUMBER LEGEND**

114030A46M003

FINISHED LENGTH:  
M005= 0.5 METER  
M010= 1 METER  
M100= 10 METER

(D)

**CABLE LENGTH TOLERANCES**

<.3M [1FT]: +19mm-0 [+ .75in-0]  
.3 - .9M [1 - 3FT]: +44.5mm-0 [+1.75in-0]  
.9 - 1.8M [3 - 6FT]: +55.6mm-0 [+2.19in-0]  
1.8 - 3.7M [6 - 12FT]: +88.9mm-0 [+3.50in-0]  
3.7 - 7.3M [12 - 24FT]: +165.1mm-0 [+6.50in-0]  
7.3-14.6M [24 - 48FT]: +317.5mm-0 [+12.50in-0]  
14.6 - 30.5M [48-100FT]: +622.3mm-0 [+24.50in-0]  
OVER 30M [100FT] +2% OF FINISHED LENGTH

11	WARNING LABEL	VINYL	ORANGE/BLACK
10	WRAP LABEL	VINYL	BLACK/YELLOW
9	MALE COUPLING NUT	ZINC DIE CAST	BLACK-E-COAT
8	FEMALE COUPLING NUT	ZINC DIE CAST	BLACK-E-COAT
7	FRICTION RING	NYLON	WHITE
6	PIN CONTACT	COPPER ALLOY	GOLD OVER NICKEL
5	MALE INSERT	TPE	BLACK
4	SOCKET CONTACT	COPPER ALLOY	GOLD OVER NICKEL
3	FEMALE INSERT	TPE	BLACK
2	OVERMOLD	TPE	GRAY
1	CABLE #14 AWG	PVC	GRAY
ITEM	COMPONENT	MATERIAL	FINISH

FUNCTIONAL SYMBOLS: FA=0, FC=0, FE=0

DIVISIONAL SYMBOLS

THIS DRAWING CONTAINS INFORMATION THAT IS PROPRIETARY TO MOLEX ELECTRONIC TECHNOLOGIES, LLC AND SHOULD NOT BE USED WITHOUT WRITTEN PERMISSION

DIMENSION UNITS	SCALE	CURRENT REV DESC:
INCH/MM	NTS	INSERT & OVERMOLD WERE PVC. ADDED IEC VOLTAGE & TOL CHART. MODIFIED PN TABLE
GENERAL TOLERANCES (UNLESS SPECIFIED)		
4 PLACES	±----	±----
3 PLACES	±----	±----
2 PLACES	±----	±----
1 PLACE	±----	±----
0 PLACES	±----	±----
ANGULAR TOL ± ---- °		

EC NO: 698916  
DRWN: ABENJAMINLW 2021/06/18  
CHK'D: RSTONE 2022/03/09  
APPR: BWOODMAN 2022/03/11

INITIAL REVISION:  
DRWN: EBRACKEN 2013/06/20  
APPR: BWOODMAN 2013/08/14

THIRD ANGLE PROJECTION

DRAWING: C-SIZE

SERIES: 130062

DOCUMENT NUMBER: SD-130062-017

DOC TYPE/DOC PART/REVISION: PSD 001 D

MATERIAL NUMBER: SEE CHART

CUSTOMER: GENERAL MARKET

SHEET NUMBER: 1 OF 1