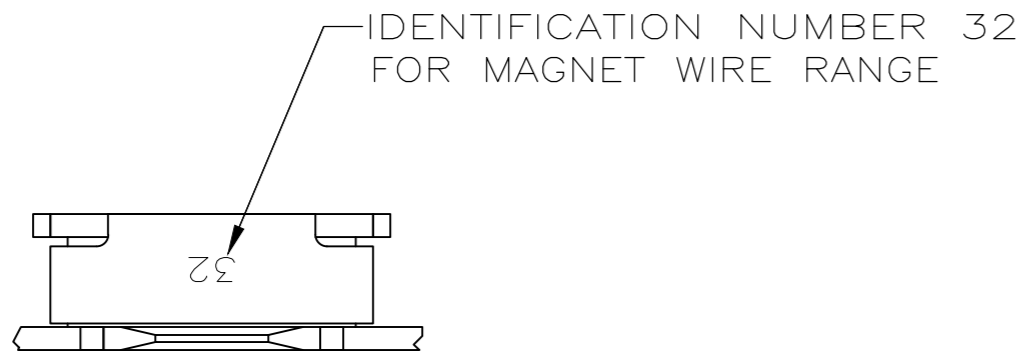


THIS DRAWING IS UNPUBLISHED. RELEASED FOR PUBLICATION  
 © COPYRIGHT - By - TE CONNECTIVITY ALL RIGHTS RESERVED.

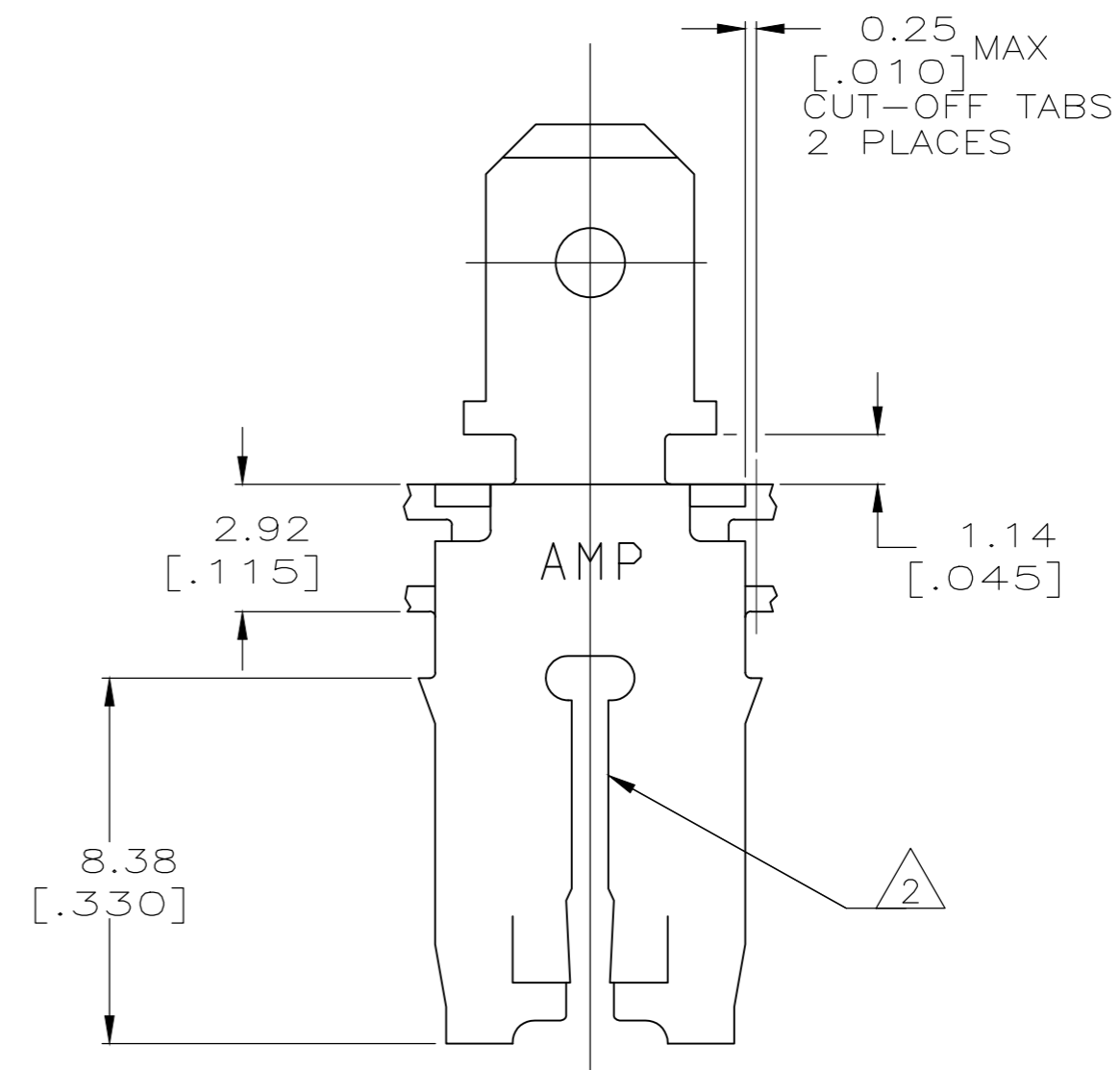
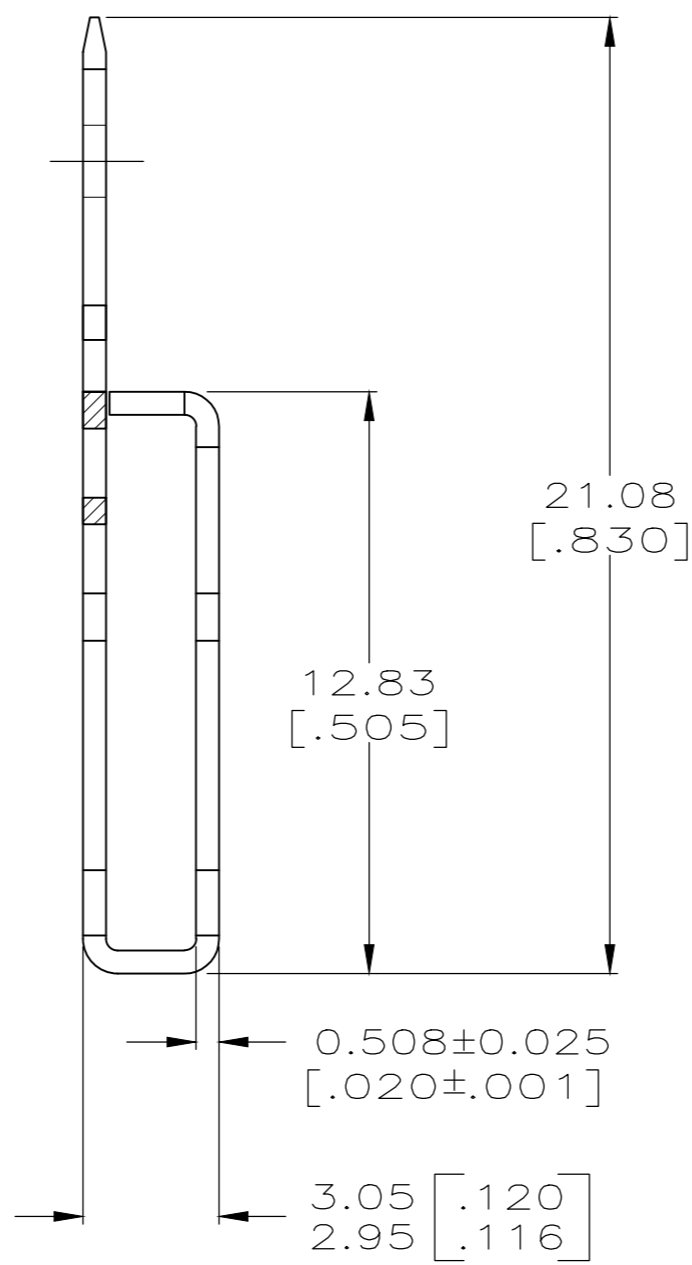
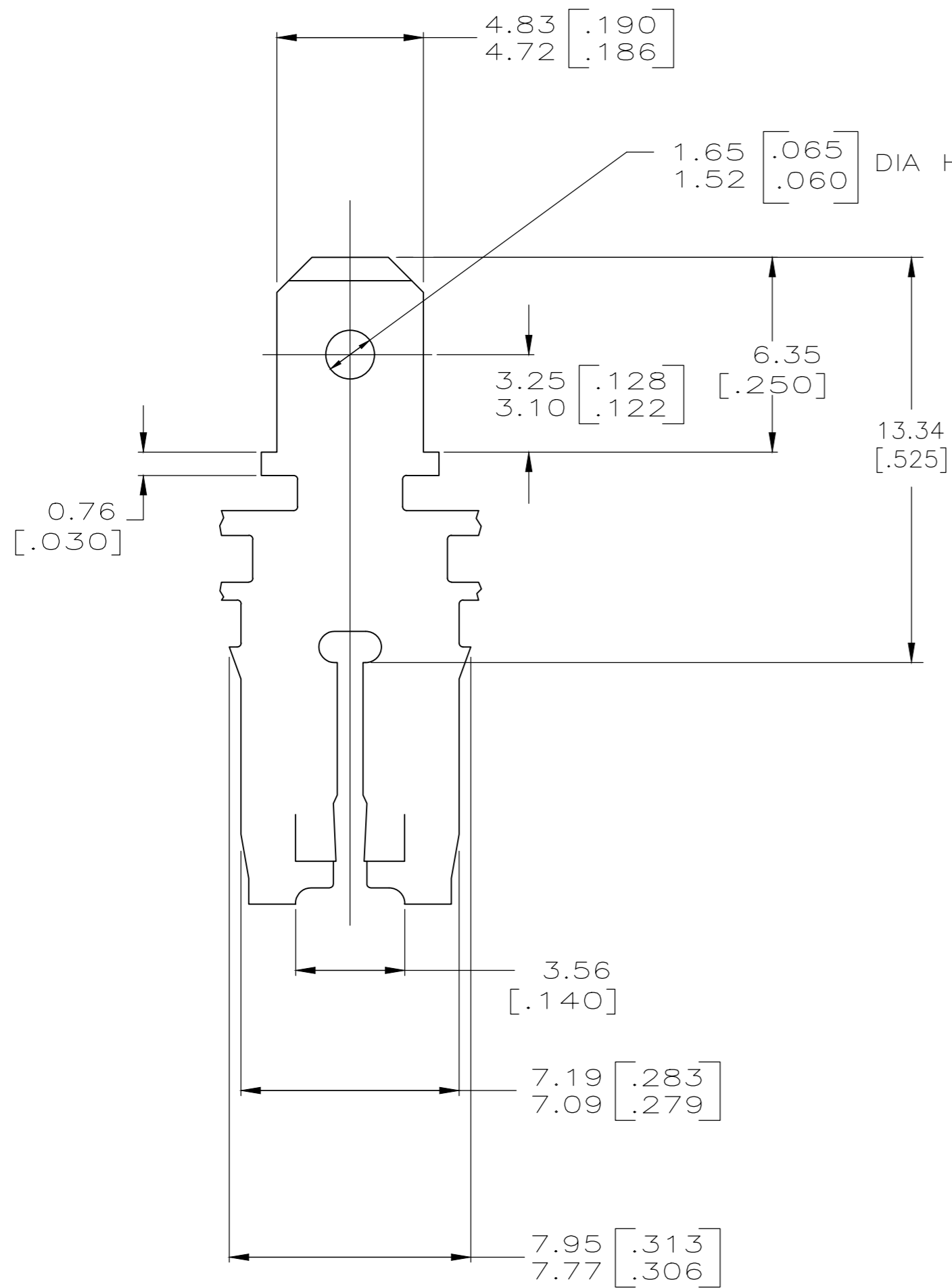
LOC		DIST		REVISIONS			
P	LTR	DESCRIPTION		DATE	DWN	APVD	
AF	50	C5	REVISED PER ECR-20-011753	10SEP2020	BDA	KR	



△ 5 VARNISH RESIST OVER TIN PLATE

- 1 CONTINUOUS STRIP ON REELS WITH TERMINALS LOCATED ON 8.38±0.08 [.330±.003] CENTERS.
- △ 2 SLOT TERMINATES A SINGLE COPPER MAGNET WIRE ONLY. COPPER RANGE: 1.09-1.29mm [#17.5-#16] AWG OR SLOT TERMINATES A SINGLE OR DOUBLE ALUMINIUM MAGNET WIRE ALUMINUM RANGE: 1.22-1.45mm [#16.5-#15.0] AWG. ALUMINUM WIRE RANGE APPLIES FOR POST-TIN PLATED VERSIONS ONLY.
- 3 AFTER INSERTION INTO PLASTIC HOLDER TAB PORTION MUST BE BENT OVER 45° TO 90° OR POTTED-IN TO PREVENT PULL-OUT WHEN MATING RECEPTACLE IS DISCONNECTED.

△ 4 TIN PLATE



△ 4	63667-3
△ 5	63667-1
FINISH	PART NO

THIS DRAWING IS A CONTROLLED DOCUMENT.		DWN 8/20/92 MICHAEL S. FEHER	TE Connectivity	
DIMENSIONS: mm [INCHES]		CHK 8/21/92 JEFF R. RUTH	NAME	
TOLERANCES UNLESS OTHERWISE SPECIFIED:		APVD 8/28/92 NELSON E. NEFF	TAB, 4.75 [.187] FASTON™ MAG-MATE™	
0 PLC ± -	1 PLC ± -	PRODUCT SPEC 108-2053	SIZE A2	CAGE CODE 00779
2 PLC ± 0.25 [.010]	3 PLC ± -	APPLICATION SPEC 114-2066	DRAWING NO C-63667	RESTRICTED TO -
4 PLC ± -	ANGLES ± -	MATERIAL BRASS	WEIGHT -	SCALE 6:1
FINISH SEE TABLE		CUSTOMER DRAWING		SHEET 1 of 1
				REV C5