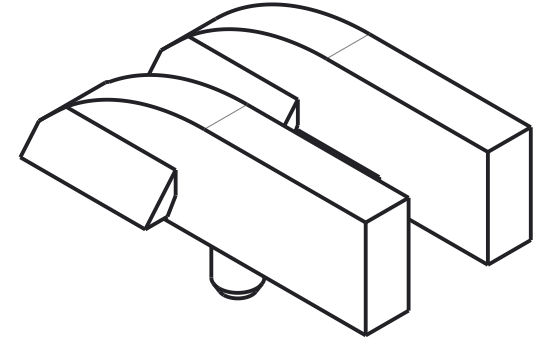
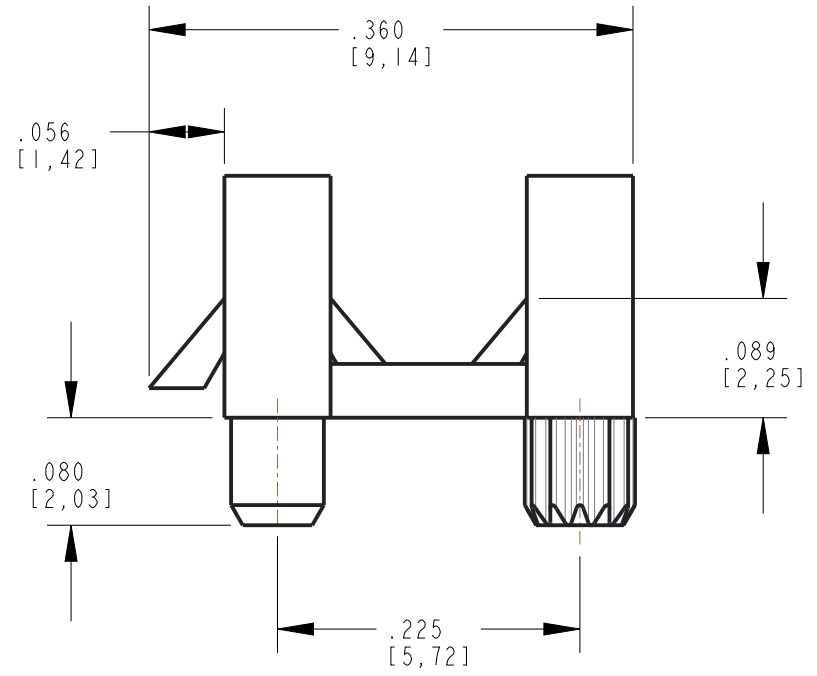
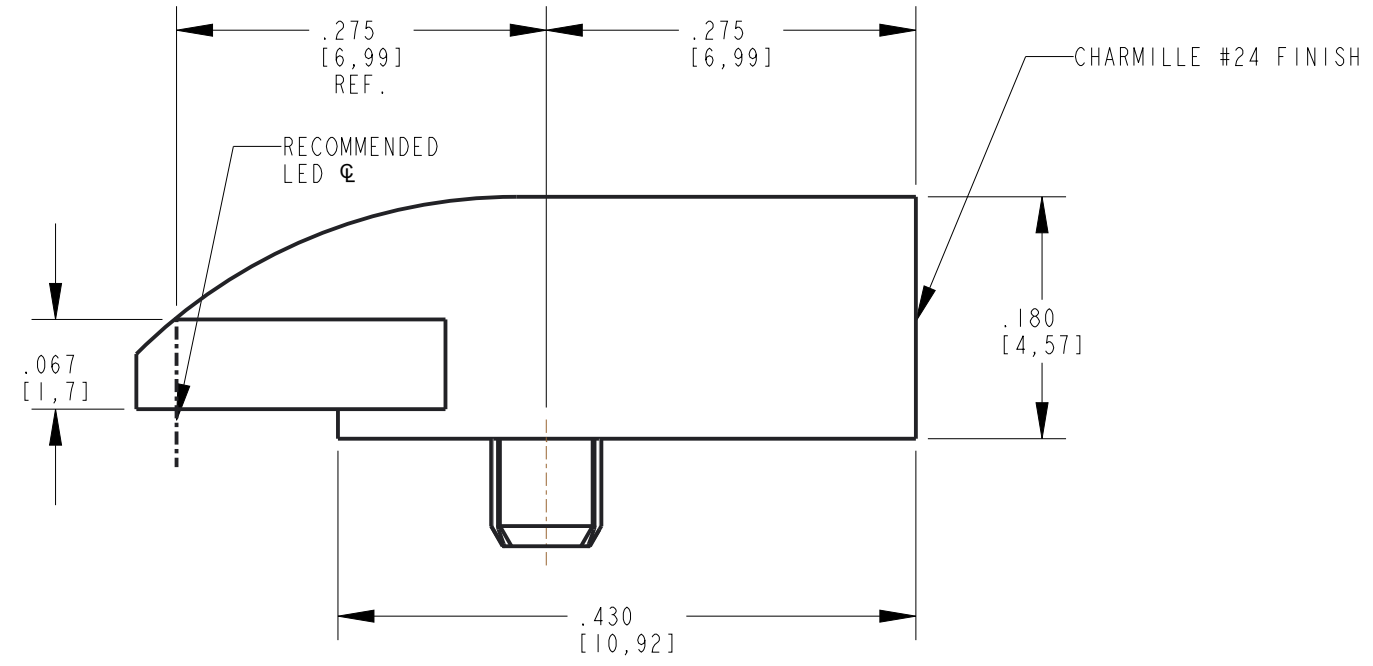
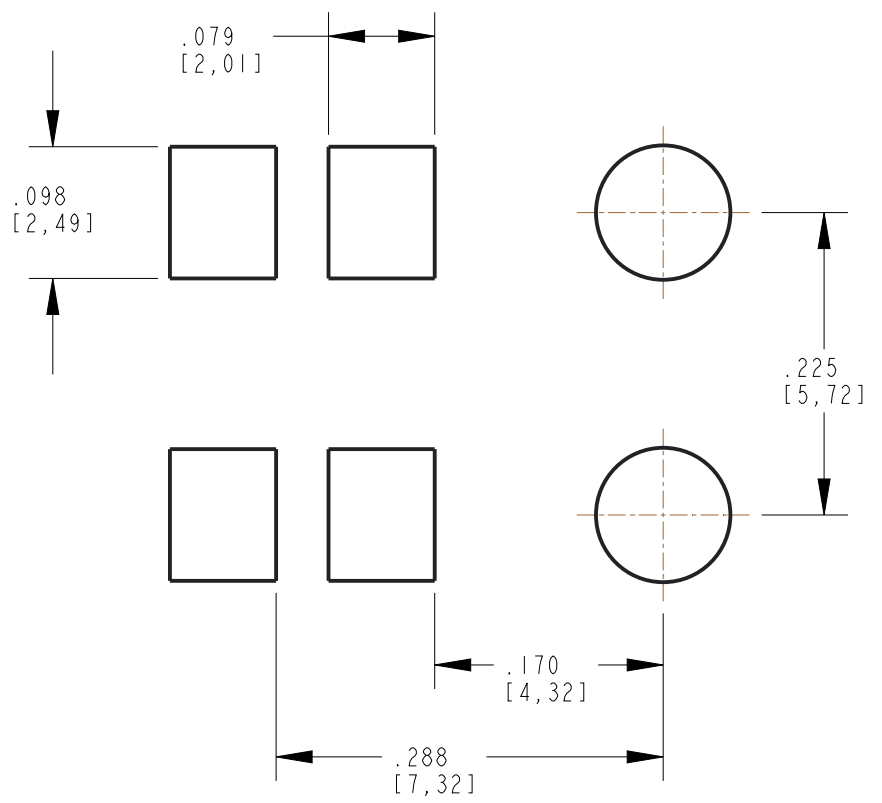
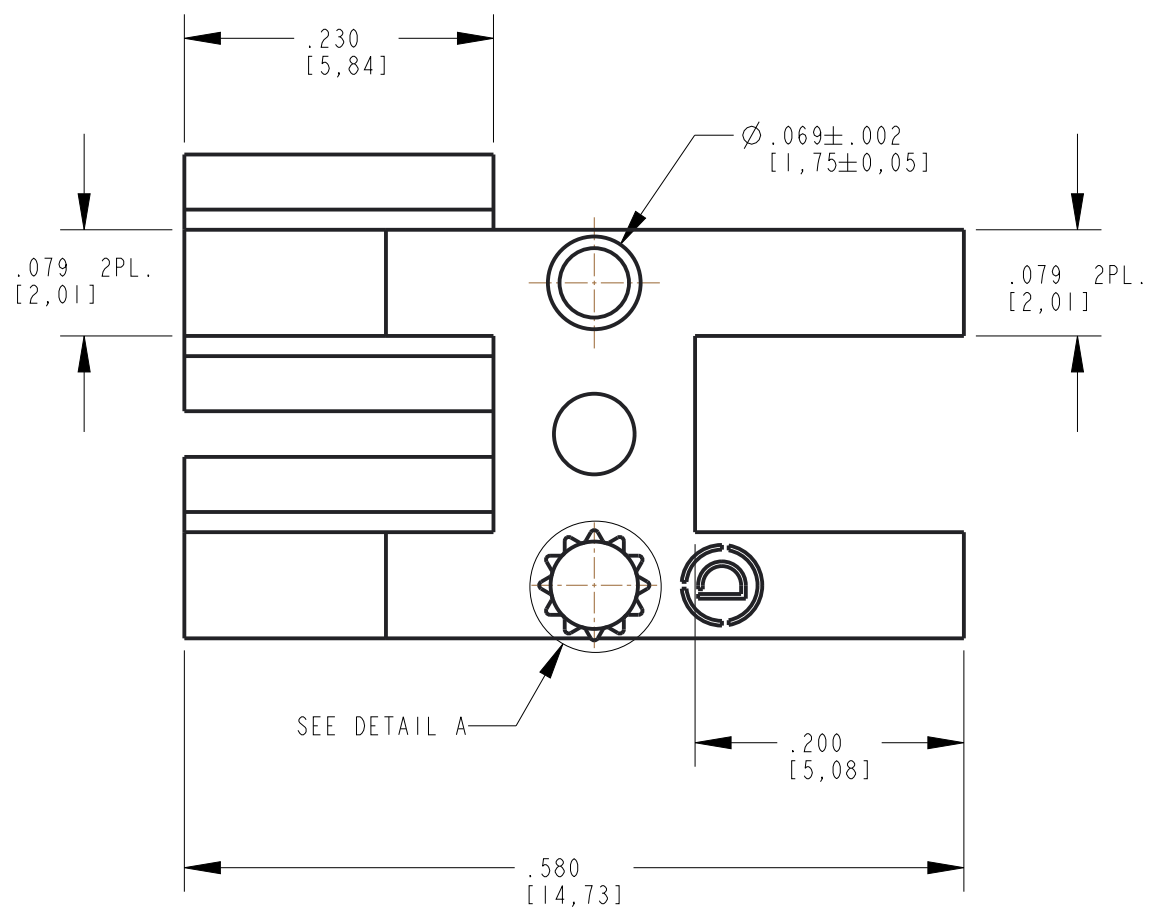


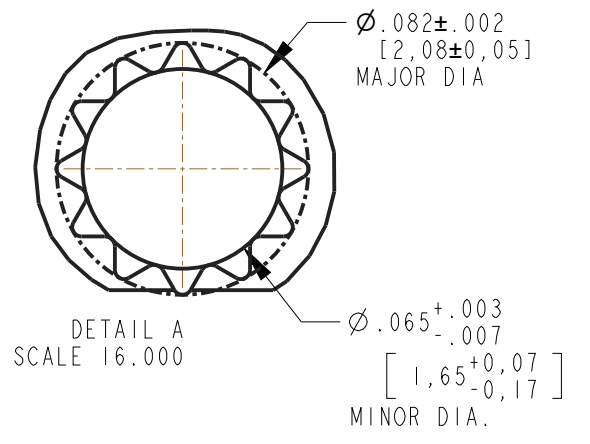
REV	ECN NO	REVISIONS	DRN	CKD	APP	QA	CM	DATE
A	93801	NEW RELEASE	LD	CS				8-10-22



SCALE 4.000



RECOMMENDED SOLDER PAD LAYOUT SINGLE-COLOR



- DIALIGHT PART NUMBER: 515-1005F
- RECOMMENDED DIALIGHT LEDs:
 SINGLE-COLOR: 597-3XX2-507F, 597-3XX1-507F
 MULTI-COLOR: 597-84XX-207CF, 597-87XX-307F

THIS DRAWING AND THE CONTENTS HEREIN ARE CONFIDENTIAL AND THE SOLE PROPERTY OF DIALIGHT CORP. REPRODUCTION OF THIS DRAWING OR CONSTRUCTION OF ANY PARTS WITHIN THIS DRAWING ARE FORBIDDEN WITHOUT THE WRITTEN CONSENT OF DIALIGHT CORP.		
DIALIGHT CORP. INTERNAL REFERENCE ONLY = 3D MODEL : 5151005-A.4		
SCALE: 7.000	DRAWING NUMBER	REV
ALL DIM'S: INCH (mm)	C-18569	A
TOLERANCES: UNLESS OTHERWISE SPECIFIED	TITLE	
FRACTIONS: ±1/64	2 ELEMENT LIGHTPIPE	
DECIMALS (.XX): ±.01	MATERIAL	
DECIMALS (.XXX): ±.005	CLEAR TRANSMISSIVE POLYCARBONATE	
DECIMALS (.XXXX): ±.0005	FINISH	
ANGLES: ±1°	Dialight	
	FSCM 83330	1501 ROUTE 34 SOUTH FARMINGDALE, NJ 07727 (732) 919-3119 www.dialight.com
	SHEET 1 OF 1	FAMILY TABLE: