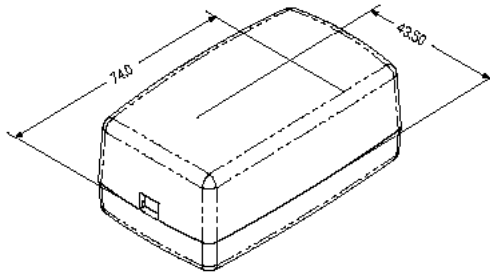
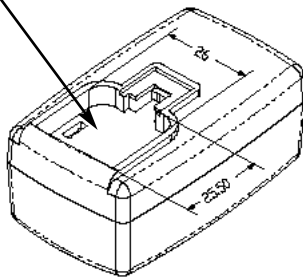


PROPRIETARY INFORMATION:
 PROPRIETARY OF GLOBTEK, INC. ANY REPRODUCTION, DISCLOSURE OR USE OF THIS DRAWING, IN WHOLE OR IN PART, IS HEREBY PROHIBITED EXCEPT AS SPECIFIED IN WRITING BY GLOBTEK, INC.

REVISION			
REV	DESCRIPTION	DATE	APPROVED
A	INITIAL RELEASE, RFS. 12665, SO	12/18/07	HM
B	UPDATE PACKING, RFS. 12874, SO	01/25/08	HM
C	UPDATE COLOR CODE, RFS. 20844, JS	05/02/11	HM



STANDARD OPTION SHIPS WITHOUT AC PINS INSTALLED



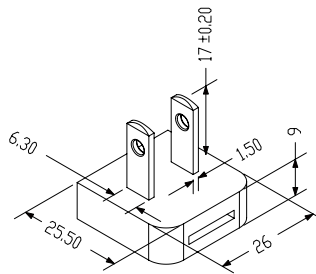
1. MATERIAL

HIGH IMPACT PLASTIC, 94V0 POLYCARBONATE, NON-VENTED, COLOR GLOBTEK WHITE 057



2. INPUT CONNECTOR:


CLASS II MODEL NEMA 1-15P AC POWER RECEPTACLE WITH 2 PRONGS



P/N: Q-NA
 NORTH AMERICA
 JAPAN
 CHINA

Foot Note:
 Globtek Inc. will not be liable for the safety and performance of these power supplies if unauthorized access and repair occurs. End user should consult applicable UL, CSA or EN standards for proper installation instructions

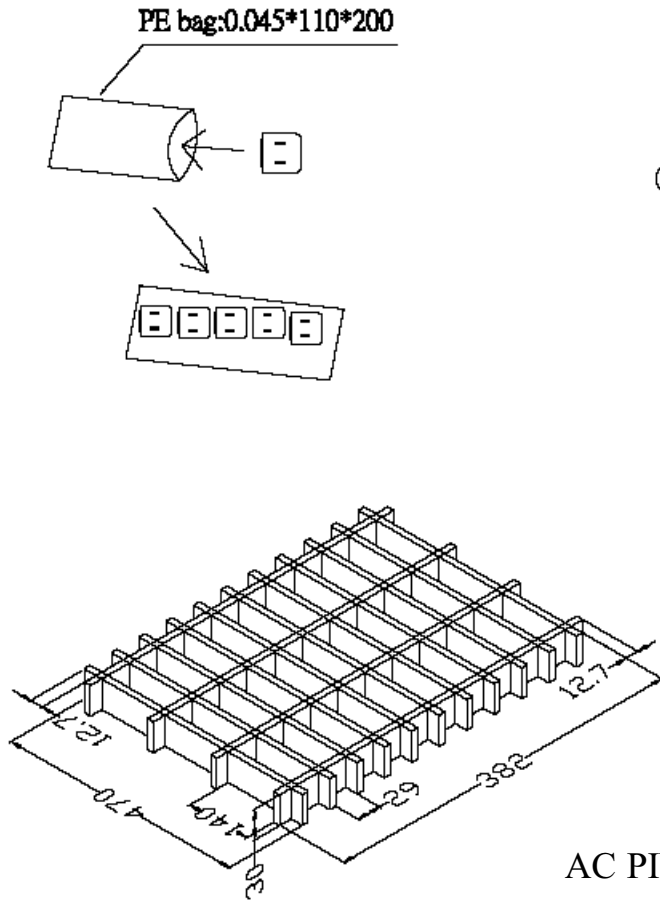
Limitation of Use:
 Globtek product are not authorized for use as mission critical components in life support, hazardous environment, nuclear or aircraft applications without prior written approval from the CEO of Globtek Inc.

DASH NO.	PART NO	REV.	DESCRIPTION	NOTES
TABULATION BLOCK				
		TOLERANCES: DECIMALS ANGULAR .xx +/- 0.1 +/- 1° .xxx +/- .005		 186 Veterans Dr. Northvale, NJ 07647 Tel. 201-784-1000 Fax 201.784.0111 www.globtek.com
INIT.BY: SO	DATE: 12/18/07	MILLIMETERS ANGULAR .xx +/- 0.3 +/- 1° .xxx +/- .013		
DRAWN: NF	DATE: 12/18/07	FSCN No.: G, N	SIZE A	DWG TITLE: NORTH AMERICAN INPUT BLADE COLOR WHITE
APRVD : HM	DATE: 12/18/07	SCALE: NONE	MODEL NO: N/A	REV. C
			PART NO: Q-NA-WH(R)	SHEET 1 OF 2

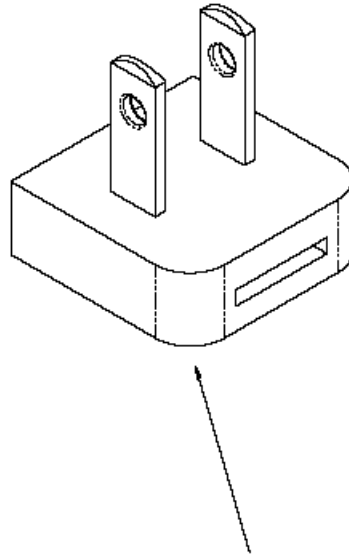
PROPRIETARY INFORMATION:
 PROPRIETARY OF GLOBTEK, INC. ANY REPRODUCTION, DISCLOSURE OR
 USE OF THIS DRAWING, IN WHOLE OR IN PART, IS HEREBY
 PROHIBITED EXCEPT AS SPECIFIED IN WRITING BY GLOBTEK, INC.

3. PACKING:

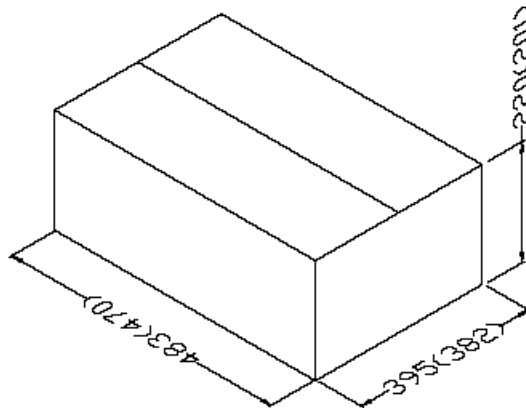
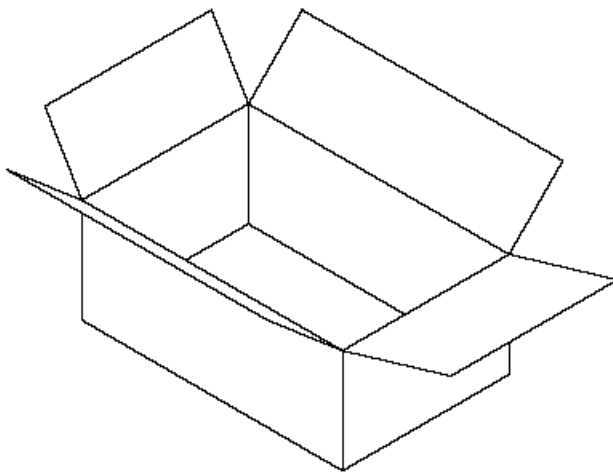
CARTON SIZE: 483X395X220




470X382X3mm(7pcs)
 382X30X6mm(24pcs)
 470X30X6mm(66pcs)
 Q'TY: 900pcs(150pcsX6)



AC PIN COLOR:GLOBTEK WHITE 057



 GlobTek, Inc. www.globtek.com		186 Veterans Dr. Northvale, NJ 07647 Tel. 201-784-1000 Fax 201.784.0111	
DWG TITLE: NORTH AMERICAN INPUT BLADE COLOR WHITE			
MODEL NO: N/A			REV. C
PART NO: Q-NA-WH(R)			SHEET 2 OF 2