



30mm BlackMax, Epoxy Coated Corrosion Resistant Complete Metal Unit  
Illuminated Indicator Light Transformer type, 600V AC Incandescent Lamp, BA9s  
Glass Lens, White UL Listed, CSA Certified NEMA 1,3,3R,4,4X,12,13 &  
Automotive Standards

<b>product brand name</b>	Siemens Pilot Devices
<b>design of the product</b>	Complete Unit, Round
<b>Enclosure</b>	
<b>number of command points</b>	1
<b>delivery state as a kit</b>	No
<b>Actuator</b>	
<b>design of the actuating element</b>	Indicator Light
<b>product extension optional light source</b>	Yes
<b>color of the actuating element</b>	white
<b>material of the actuating element</b>	glass
<b>shape of the actuating element</b>	Concentric rings
<b>Front ring</b>	
<b>product component front ring</b>	Yes
<b>design of the front ring</b>	standard
<b>material of the front ring</b>	metal
<b>color of the front ring</b>	black
<b>Holder</b>	
<b>material of the holder</b>	metal
<b>Contact block/ lampholder</b>	
<b>socket design</b>	BA 9s, with incandescent lamp
<b>number of lampholders</b>	1
<b>Display</b>	
<b>number of LED modules</b>	0
<b>General technical data</b>	
<b>product component</b>	
• lamp transformer	Yes
• light source	Yes
<b>degree of pollution</b>	1
<b>type of voltage</b>	
• of the operating voltage	AC
• of the input voltage	AC
<b>surge voltage resistance rated value</b>	4 kV
<b>protection class IP</b>	IP66
• of the terminal	IP20
<b>vibration resistance according to IEC 60068-2-6</b>	0 ... 2000 Hz, 1.52 mm displacement (peak-to-peak) max./ 10g max.
<b>mechanical service life (operating cycles) typical</b>	5
<b>Supply voltage</b>	
<b>type of voltage of the supply voltage of the light source</b>	AC
<b>supply voltage of the light source at AC at 60 Hz</b>	
• rated value	6 V

Inputs/ Outputs	
output voltage 1 of the lamp transformer rated value	6 V
Connections/ Terminals	
type of electrical connection	screw-type terminals
• of modules and accessories	screw-type terminals
type of connectable conductor cross-sections for AWG cables for auxiliary contacts	1x (18 ... 12), 2x (18 ... 16), 2x (16 ... 14), 2x 12
tightening torque of the screws in the bracket	20 N·m
tightening torque [lbf·in] with screw-type terminals	8 ... 8 lbf·in
Lamp	
type of light source	Incandescent
color of the light source	clear
Safety related data	
touch protection against electrical shock	finger safe
Ambient conditions	
ambient temperature	
• during operation	-35 ... +70 °C
• during storage	-40 ... +85 °C
Installation/ mounting/ dimensions	
fastening method	
• of modules and accessories	screw-mounting
shape of the installation opening	round
Certificates/ approvals	
Further information	

Siemens has decided to exit the Russian market (see here).

<https://press.siemens.com/global/en/pressrelease/siemens-wind-down-russian-business>

Siemens is working on the renewal of the current EAC certificates.

Please contact your local Siemens office on the status of validity of the EAC certification if you intend to import or offer to supply these products to an EAC relevant market (other than the sanctioned EAEU member states Russia or Belarus).

Information on the packaging

<https://support.industry.siemens.com/cs/ww/en/view/109813875>

Information- and Downloadcenter (Catalogs, Brochures,...)

<https://www.siemens.com/ic10>

Industry Mall (Online ordering system)

<https://mall.industry.siemens.com/mall/en/en/Catalog/product?mlfb=US2:52BL5KB>

Cax online generator

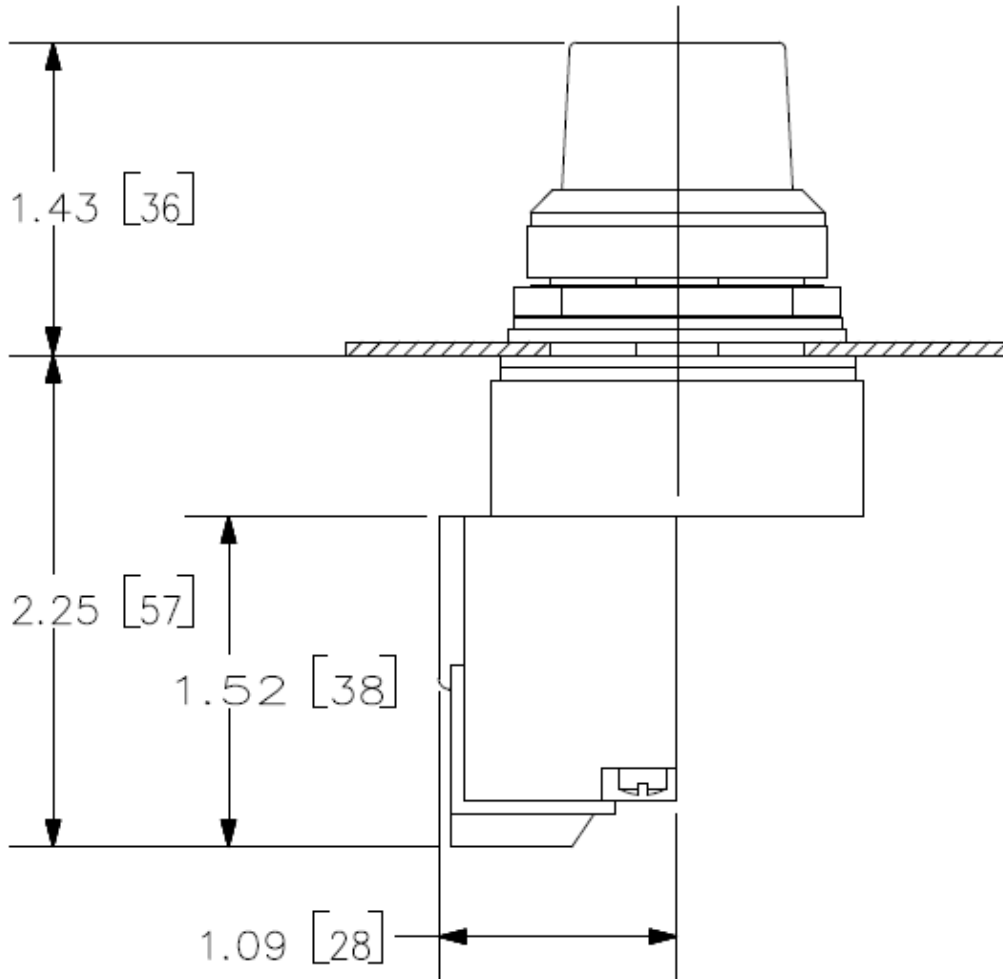
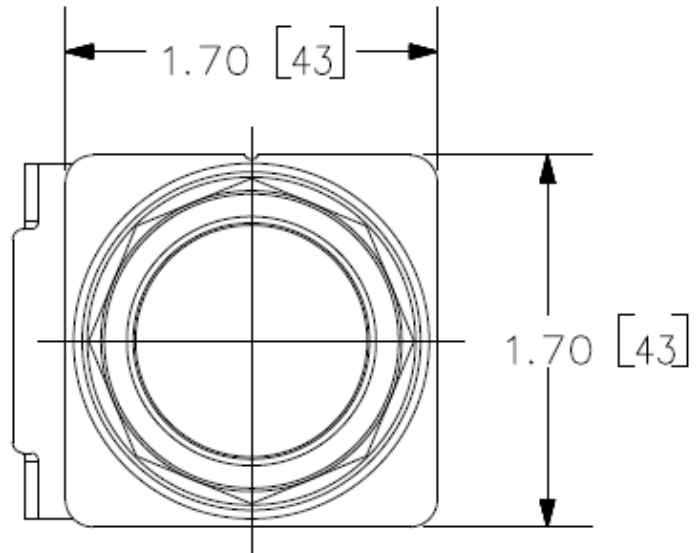
<http://support.automation.siemens.com/WW/CAXorder/default.aspx?lang=en&mlfb=US2:52BL5KB>

Service&Support (Manuals, Certificates, Characteristics, FAQs,...)

<https://support.industry.siemens.com/cs/ww/en/ps/US2:52BL5KB>

Image database (product images, 2D dimension drawings, 3D models, device circuit diagrams, EPLAN macros, ...)

[http://www.automation.siemens.com/bilddb/cax\\_de.aspx?mlfb=US2:52BL5KB&lang=en](http://www.automation.siemens.com/bilddb/cax_de.aspx?mlfb=US2:52BL5KB&lang=en)



last modified:

5/31/2021