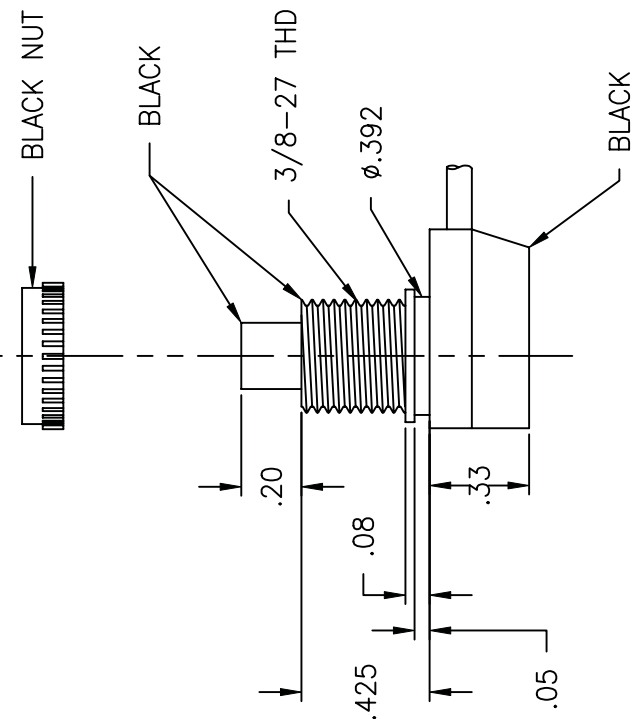
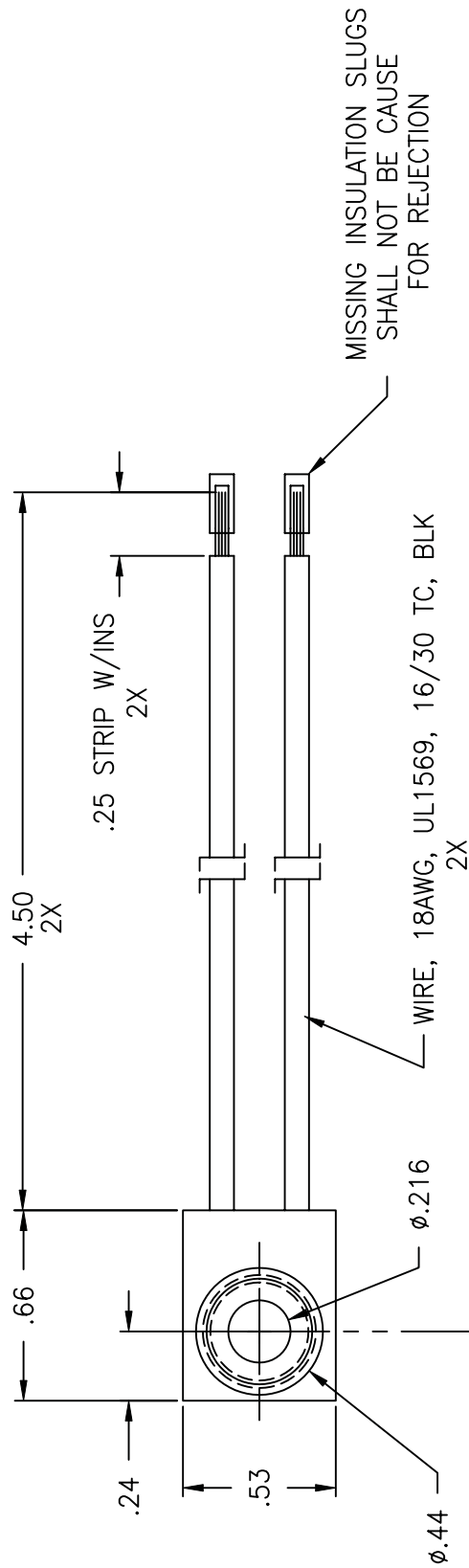
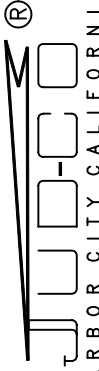


LTR	EN	DESCRIPTION	APPR	BY	DATE
A	-	INITIAL RELEASE	MT	DC	02-23-10



JUDCO INVENTORY NO. 40-4816-00  
 SWITCH TYPE: PUSH ON - PUSH OFF, SPST  
 GOLD OVER NICKEL PLATING ON COPPER  
 TERMINALS AND CUPS.  
 NUT INCLUDED

CUSTOMER:  
 CUSTOMER P/N:  
 APPROVED BY: \_\_\_\_\_  
 DATE: \_\_\_\_\_

DIMENSIONS IN INCHES DIMENSIONS ARE REFERENCE	DRAWN: DC	02-23-10
	APPR: KJ	02-23-10
	ENG'G: IS	02-23-10
SHEET 1415U1547A.DWG		
 HARBOR CITY CALIFORNIA TITLE OUTLINE J-188A-1 NON UL DWG. NO. 1415-1547		

This document embodies a product, component, and/or design proprietary to JUDCO MANUFACTURING INC., and which is protected either as a trade secret, by U.S. Patent, or by copyright. It may not be used in any way without written express consent of JUDCO MANUFACTURING INC.