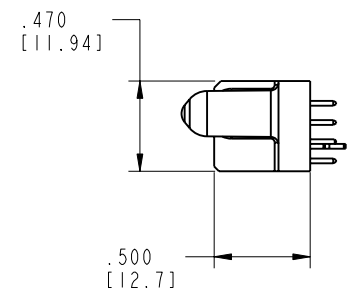
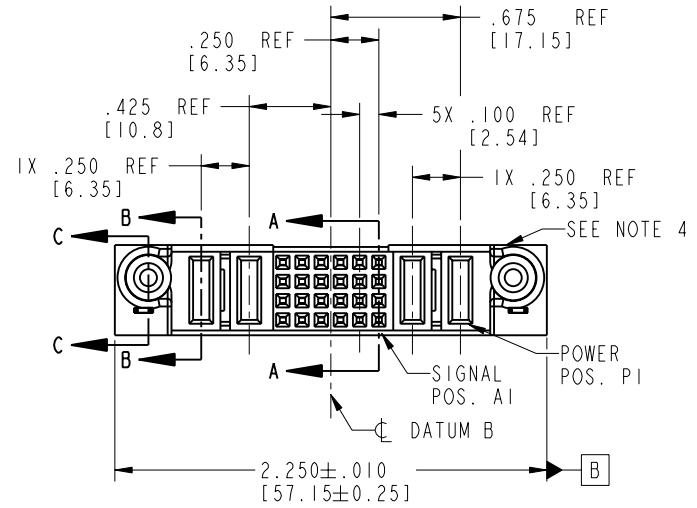


Tous droits strictement réservés. Reproduction ou communication o des liens interdite sous quelque forme que ce soit sans autorisation écrite du propriétaire. Propriété de c FCI. Droits de reproduction FCI.

All rights strictly reserved. Reproduction or issue to third parties in any form, whomever is not permitted without written authority from the proprietor. Property of FCI. Copyright FCI.



PRODUCT NO.	ROWS	POWER		SIGNAL					POWER				
		E2	P4	P3	6	5	4	3	2	1	P2	P1	E1
51750-047-- NOTE: 3	D C B A		PA	PD	E	E	E	E	E	E	PD	PD	



CODE	DIM "M" MATING LENGTH	CONTACT TYPE
E	N/A [N/A]	SIGNAL
PA	.042 [1.07]	POWER
PD	.092 [2.34]	POWER
HA	N/A [N/A]	HOLD-DOWN

mat'l code				SEE NOTE 2		tolerances unless otherwise specified		CUSTOMER		 www.fciconnect.com	
litr	ecn no.	dr	date	linear	.XX±.01/0.X±0.3		COPY		 INCH/MM	title	
A	V03-0483	TAB	04/30/03		.XXX±.005/0.XX±0.13		projection			2P + 24S + 2P	
B	DG05-0504	GuoJM	11/29/05	angles	.XXX±.0020/0.XXX±0.051		 scale		VERTICAL SOLDER RECEPT		
					0° ± 2°		1:1		product family		
				dr	T. BRUNGARD	04/30/03	PwrBlade		code		
				engr	M. MOSTOLLER	04/30/03	size		213		
				chr	M. MOSTOLLER	04/30/03	dwg no		sheet		
				appd	M. MOSTOLLER	04/30/03	A		1 of 4		
sheet index		revision sheet		B	B	B	B	cage code		4	
1		2		3	4			22526			

Pro/E

PDM: Rev:B

STATUS: Released

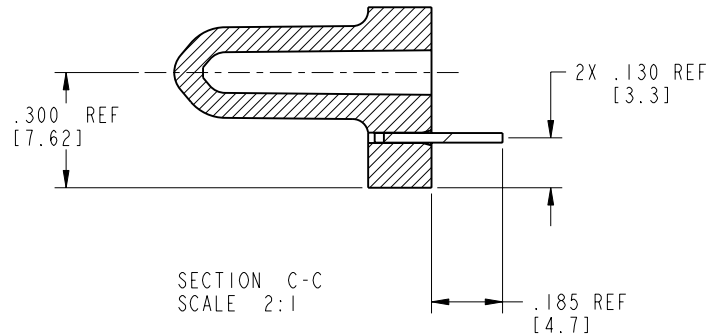
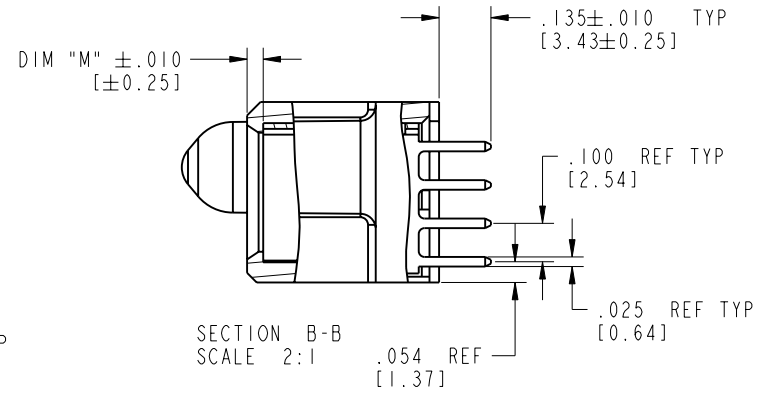
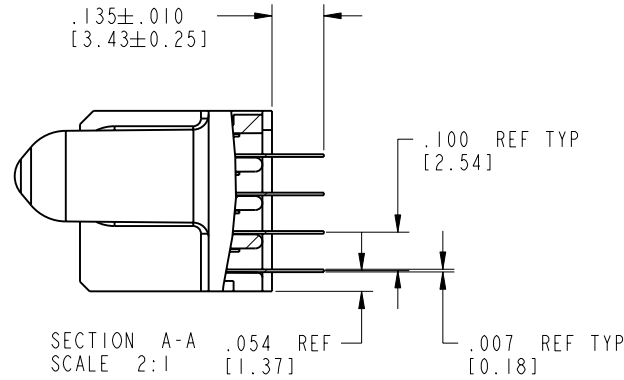
Printed: Dec 20, 2010

Tous droits strictement réservés. Reproduction ou communication o des liers interdite sous quelque forme que ce soit sans autorisation écrite du propriétaire. Propriete de c FCI. Droits de reproduction FCI.

All rights strictly reserved. Reproduction or issue to third parties in any form, whatever is not permitted without written authority from the proprietor. Property of FCI. Copyright FCI.

PRODUCT NUMBER

51750-047\_\_  
NOTE: 3



mat'l code		SEE NOTE 2		tolerances unless otherwise specified		CUSTOMER		 www.fciconnect.com	
lfr	ecn no.	dr	date	linear	.XX ± .01/0.X ± 0.3	COPY			
B				linear	.XXX ± .005/0.XX ± 0.13	projection		title	2P + 24S + 2P
				angles	.XXX ± .0020/0.XXX ± 0.051			VERTICAL SOLDER RECEIPT	
				dr	T. BRUNGARD 04/30/03	INCH/MM		product family	PwrBlade
				engr	M. MOSTOLLER 04/30/03	scale		size	dwg no
				chr	M. MOSTOLLER 04/30/03	1:1		A	51750-047
				appd	M. MOSTOLLER 04/30/03			code	213
sheet index	revision sheet							sheet	2 of 4

cage code 22526

Pro/E

PDM: Rev:B

STATUS: Released

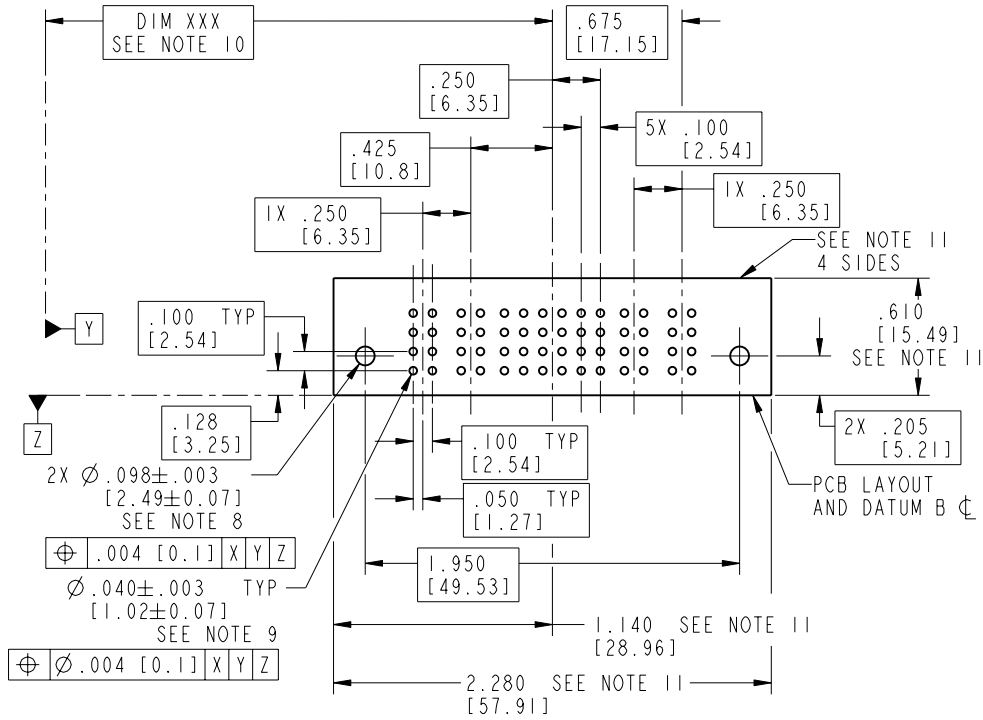
Printed: Dec 20, 2010

Tous droits strictement réservés. Reproduction ou communication o des liers interdite sous quelque forme que ce soit sans autorisation écrite du propriétaire. Propriete de c FCI. Droits de reproduction FCI.

All rights strictly reserved. Reproduction or issue to third parties in any form, whenever is not permitted without written authority from the proprietor. Property of FCI. Copyright FCI.

PRODUCT NUMBER

51750-047\_\_  
NOTE: 3



mat'l code		SEE NOTE 2		tolerances unless otherwise specified		CUSTOMER		 www.fciconnect.com	
lfr	ecr no.	dr	date	linear	.XX±.01/0.X±0.3	COPY			
B				projection	.XXX±.005/0.XX±0.13			title	
				angles	.XXX±.0020/0.XXX±0.051	INCH/MM		2P + 24S + 2P	
				dr	0° ± 2°	scale		VERTICAL SOLDER RECEPT	
				enrg	T. BRUNGARD 04/30/03	1:1		product family	
				chr	M. MOSTOLLER 04/30/03			PwrBlade	
				appd	M. MOSTOLLER 04/30/03			code	
sheet index		revision sheet						size	
								dwg no	
								A 51750-047	
								sheet	
								3 of 4	

cage code 22526

Pro/E

PDM: Rev:B

STATUS: Released

Printed: Dec 20, 2010

Tous droits strictement réservés. Reproduction ou communication o des liers interdite sous quelque forme que ce soit sans autorisation écrite du propriétaire. Propriété de c FCI. Droits de reproduction FCI.

**A**  
**FCI**

All rights strictly reserved. Reproduction or issue to third parties in any form, whenever is not permitted without written authority from the proprietor. Property of FCI. Copyright FCI.

A

B

**PRODUCT NUMBER**

51750-047\_\_

NOTE: 3

NOTES:

1. DIMENSIONS AND TOLERANCES ARE IN ACCORDANCE WITH ASME Y14.5M, 1994 UNLESS OTHERWISE SPECIFIED.

CONNECTOR NOTES:

② HOUSING MATERIAL: UL 94 V-0 GLASS FILLED

HIGH-TEMP THERMOPLASTIC

POWER CONTACT MATERIAL: COPPER ALLOY

SIGNAL PIN MATERIAL: COPPER ALLOY

3. PLATING:

51750-047 Singal Pin:30u"/0.76um Au OVER 50u"/1.27um Ni ON THE CONTACT AREA.  
AND 100u"/2.54um SnPb PLATING OVER 50u"/1.27um Ni ON THE TERMINATION SECTION.  
Power Pin:30u"/0.76um Au OVER 50u"/1.27um Ni ON THE CONTACT AREA.  
AND 100u"/2.54um SnPb PLATING OVER 50u"/1.27um Ni ON THE TERMINATION SECTION.

51750-047LF Singal Pin:30u"/0.76um Au OVER 50u"/1.27um Ni ON THE CONTACT AREA.  
AND 78u"/2.00um Sn PLATING OVER 50u"/1.27um Ni ON THE TERMINATION SECTION.  
Power Pin:30u"/0.76um Au OVER 50u"/1.27um Ni ON THE CONTACT AREA.  
AND 78u"/2.00um Sn PLATING OVER 50u"/1.27um Ni ON THE TERMINATION SECTION.

PART NUMBER 51750-047LF MEETS EUROPEAN UNION DIRECTIVE AND OTHER ICOUNTRY REGULATIONS AS DESCRIBED IN GS-22-008.

THE HOUSING WILL WITHSTAND EXPOSURE TO 260° PEAK TEMPERATURE FOR 10 SECONDS IN A WAVE SOLDER APPLICATION WITH A CIRCUIT BOARD.

④ MANUFACTURER'S NAME, P/N, AND DATE CODE TO APPEAR ON THIS SURFACE.

5. PRODUCT SPECIFICATION GS-12-149.  
APPLICATION SPECIFICATION BUS-20-067.

6. PACKAGED IN TRAYS.

PCB NOTES:

7. ALL HOLE DIAMETERS ARE FINISHED HOLE SIZE.

⑧ MOUNTING HOLES, WHERE APPLICABLE, ARE UNPLATED.

⑨  $\varnothing .0453 \pm .0010$  [1.151 ± 0.025] DRILLED HOLES PLATED WITH .0003 [0.008] MIN SnPb OVER .001 [0.03] TO .003 [0.08] Cu PLATING TO ACHIEVE  $\varnothing .040 \pm .003$  [1.02 ± .07] HOLE.

⑩ "DIM XXX" TO BE DETERMINED BY THE CUSTOMER.

⑪ CONNECTOR KEEP-OUT ZONE.

mat'l code		SEE NOTE 2		tolerances unless otherwise specified		CUSTOMER		<b>A</b> <b>FCI</b>		www.fciconnect.com	
lfr	ecn no.	dr	date	linear	.XX±.01/0.X±0.3		COPY		title	2P + 24S + 2P	
B					.XXX±.005/0.XX±0.13		projection			VERTICAL SOLDER RECEPT	
				angles	.XXX±.0020/0.XXX±0.051				product family	PwrBlade	
					° ± ?					INCH/MM	scale
				dr	T. BRUNGARD	04/30/03	1:1		A		
				enrg	M. MOSTOLLER	04/30/03				4	of 4
				chr	M. MOSTOLLER	04/30/03					
				appd	M. MOSTOLLER	04/30/03					
sheet index	revision sheet										

A

B

1 | 2

3 |

4

1 | 2

Pro/E

3 |

coge code 22526

4