



Sensors > Position Sensors > Potentiometer Sensors > Linear Potentiometers > MINIATURE LINEAR POTENTIOMETER



Linear Displacement Sensor - Potentiometer Package: **Dia .37**

Full Stroke Range: **25 mm [1 in]**

Linear Displacement Sensor - Potentiometer Resistance: **2.5 kΩ**

Linearity: **1 % of Span**

Linear Displacement Sensor - Potentiometer Weight: **26 g**

[All MINIATURE LINEAR POTENTIOMETER \(7\)](#)

Features

Product Type Features

Product Type	Potentiometer
Enclosure Material	AL

Electrical Characteristics

Linear Displacement Sensor - Potentiometer Resistance	2.5 kΩ
Maximum Input Voltage	42 VDC
Operating Wiper Current (max)	10 mA

Body Features

Linear Displacement Sensor - Potentiometer Weight	26 g
Enclosure Design	Cylindrical

Dimensions

Repeatability	.01 mm
Full Stroke Range	25 mm[1 in]

Usage Conditions

Operating Temperature Range	-30 – 150 °C[-22 – 300 °F]
-----------------------------	----------------------------

Operation/Application

Resolution	Virtually Infinite
------------	--------------------



Operating Speed	400 in
Life Expectancy (Cycles)	25M Cycles
Vibration (Max)	10 g to 2000 Hz

Industry Standards

IP Rating	IP67
-----------	------

Packaging Features

Linear Displacement Sensor - Potentiometer Package	Dia .37
--	---------

Other

Linearity	1 % of Span
-----------	-------------

Product Compliance

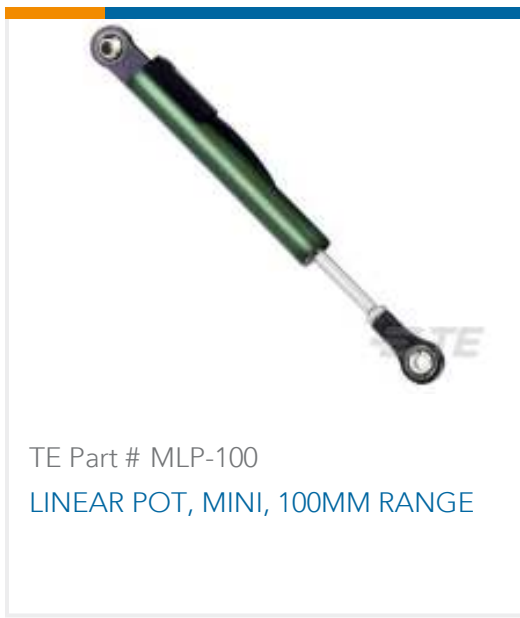
[For compliance documentation, visit the product page on TE.com>](#)

EU RoHS Directive 2011/65/EU	Compliant
EU ELV Directive 2000/53/EC	Out of Scope
China RoHS 2 Directive MIIT Order No 32, 2016	No Restricted Materials Above Threshold
EU REACH Regulation (EC) No. 1907/2006	Current ECHA Candidate List: JUNE 2023 (235) Candidate List Declared Against: JAN 2019 (197) Does not contain REACH SVHC
Halogen Content	Not Yet Reviewed for halogen content
Solder Process Capability	Not reviewed for solder process capability

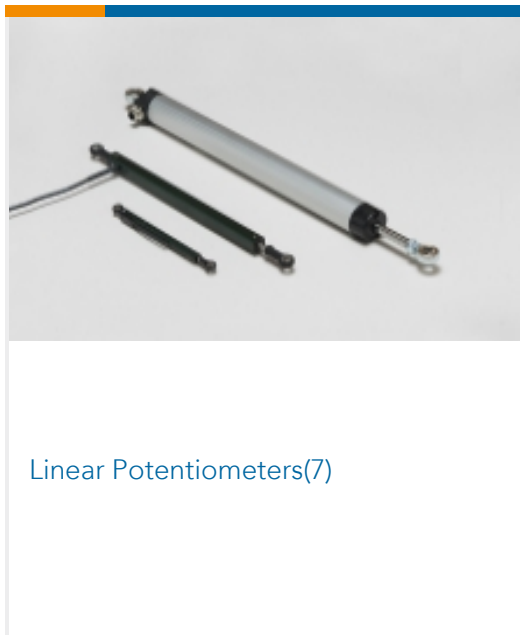
Product Compliance Disclaimer

This information is provided based on reasonable inquiry of our suppliers and represents our current actual knowledge based on the information they provided. This information is subject to change. The part numbers that TE has identified as EU RoHS compliant have a maximum concentration of 0.1% by weight in homogenous materials for lead, hexavalent chromium, mercury, PBB, PBDE, DBP, BBP, DEHP, DIBP, and 0.01% for cadmium, or qualify for an exemption to these limits as defined in the Annexes of Directive 2011/65/EU (RoHS2). Finished electrical and electronic equipment products will be CE marked as required by Directive 2011/65/EU. Components may not be CE marked. Additionally, the part numbers that TE has identified as EU ELV compliant have a maximum concentration of 0.1% by weight in homogenous materials for lead, hexavalent chromium, and mercury, and 0.01% for cadmium, or qualify for an exemption to these limits as defined in the Annexes of Directive 2000/53/EC (ELV). Regarding the REACH Regulation, the information TE provides on SVHC in articles for this part number is based on the latest European Chemicals Agency (ECHA) 'Guidance on requirements for substances in articles' posted at this URL: <https://echa.europa.eu/guidance-documents/guidance-on-reach>

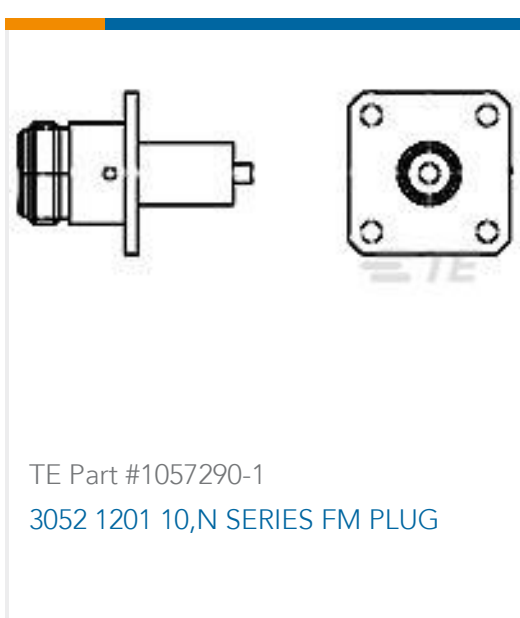
Compatible Parts



Also in the Series | MEAS MLP



Customers Also Bought





Documents

CAD Files

3D PDF

3D

Customer View Model

[ENG_CVM_CVM_MLP-25_C.2d_dxf.zip](#)

English

Customer View Model

[ENG_CVM_CVM_MLP-25_C.3d_igs.zip](#)

English

Customer View Model

[ENG_CVM_CVM_MLP-25_C.3d_stp.zip](#)

English

By downloading the CAD file I accept and agree to the [Terms and Conditions](#) of use.

Datasheets & Catalog Pages

MLP

English