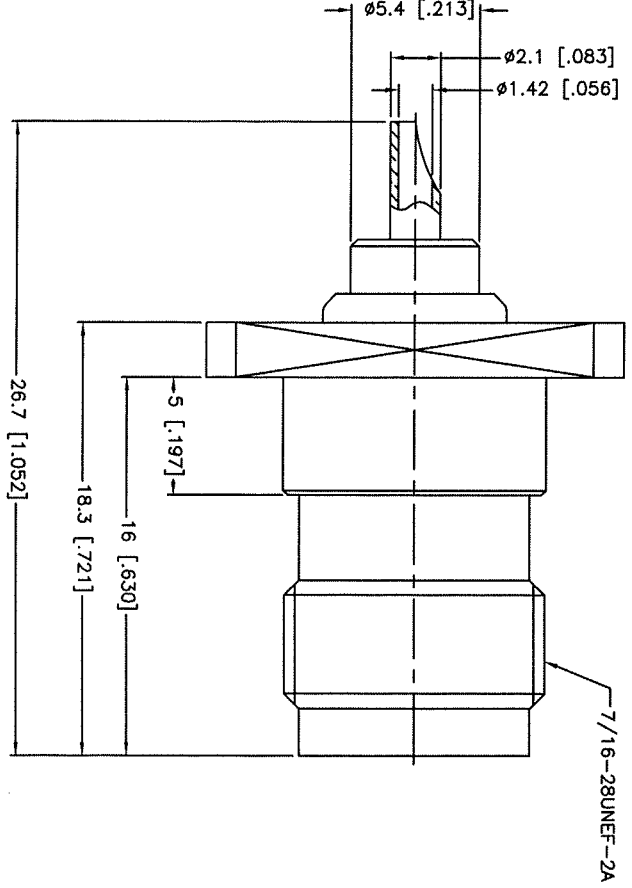
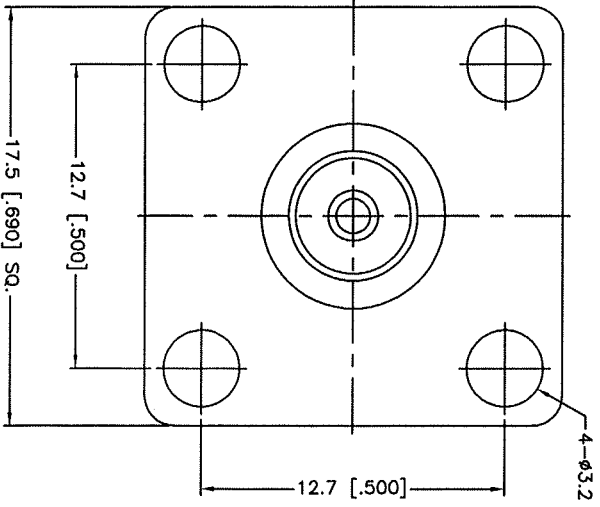


REV.	DATE	ECR NO.	DESCRIPTION
NC	05/12/09	XXXXXX	INITIAL RELEASE



QTY	FINISH	MATERIAL	DESCRIPTION
1	NICKEL	BRASS	HOUSING
1	NICKEL	BRASS	BODY
1	NATURAL	PTFE	INSULATOR
1	GOLD	BRASS	CONTACT PIN

UNLESS OTHERWISE SPECIFIED DIMENSIONS ARE IN MILLIMETERS DIMENSIONS IN [] ARE IN INCHES AND FOR CUSTOMER REFERENCE ONLY.
 TOLERANCES FOR MILLIMETERS ARE:
 0.5 - 8mm ± 0.20mm
 8 - 30mm ± 0.40mm
 30 - 120mm ± 0.50mm
 UNLESS OTHERWISE SPECIFIED TOLERANCES FOR INCHES ARE:
 .020 - .315 ± 0.007"
 .315 - 1.180 ± 0.015"
 1.180 - 4.724 ± 0.020"
 DO NOT SCALE DRAWING

APPROVALS	DATE
DRAWN M.ZHANG	05/12/09
CHECKED	
ISSUED	
SHEET 1 OF 1	

Amphenol Connex

TNC REVERSE POLARITY PANEL JACK

PART NO. 122248RP

DWG. NO. 122248RP.DWG

REV. NC SIZE A SCALE NA